

COUNTY OF	ITEM NO.	SHEET NO.
MEADE	4-8705.00	RI

Commonwealth of Kentucky DEPARTMENT OF HIGHWAYS

PLANS OF PROPOSED PROJECT

KY 79 RECONSTRUCTION FROM SOUTH OF KY 144 TO KY 1051



INDEX OF SHEETS	
SHEET NO.	DESCRIPTION
R1	LAYOUT SHEET
R2 - R2K	TYPICAL SECTIONS
R3 - R52	PLAN AND PROFILE SHEETS
R53 - R59	RIGHT OF WAY SUMMARY SHEETS
R60 - R63	RIGHT OF WAY STRIP MAP SHEETS
R64 - R72	COORDINATE CONTROL SHEETS

SHEETS NOT INCLUDED IN TOTAL SHEETS

R2A - R2K

STANDARD DRAWINGS	
NUMBER	



STA. 706+70.00
END CONSTRUCTION

STA. 706+01.00
END R/W ACQUISITION

STA. 494+47.00
Construct 8'x4' RCBC (40° Skew Lt.)
Drawing No. -----

STA. 487+25.00
BEGIN CONSTRUCTION

STA. 486+50.00
BEGIN R/W ACQUISITION

KY 144 EAST STA. 13+65.00
Construct 8'x5' RCBC (10° Skew Lt.)
Drawing No. -----

RIGHT OF WAY PLANS

DESIGN CRITERIA	
CLASS OF HIGHWAY	RURAL MINOR ARTERIAL
TYPE OF TERRAIN	ROLLING
DESIGN SPEED	55 MPH
REQUIRED NPSD	495 FEET
REQUIRED PSD	1,985 FEET
LEVEL OF SERVICE	
ADT PRESENT (2013)	7,000
ADT FUTURE (2036)	8,800
DHV (2036)	900
D %	3 1/2 - 6 3/4
T %	18% OF ADT; 12% OF DHV

GEOGRAPHIC COORDINATES	
LATITUDE	37 DEGREES 58 MINUTES 11 SECONDS NORTH
LONGITUDE	-86 DEGREES 13 MINUTES 4 SECONDS WEST

DESIGNED	
% RESTRICTED SD	
LEVEL OF SERVICE	
MAX. DISTANCE W/O PASSING	

LAYOUT MAP



THE CONTROL OF ACCESS ON THIS
PROJECT SHALL BE BY PERMIT

LENGTH	ADDED	DEDUCTED	FOR EQUALITIES	NOT INCLUDED	RAILROAD CROSSINGS NO.	BRIDGES	LENGTH	ADDED	DEDUCTED	FOR EQUALITIES	NOT INCLUDED	RAILROAD CROSSINGS NO.	BRIDGES	LENGTH	ADDED	DEDUCTED	FOR EQUALITIES	NOT INCLUDED	RAILROAD CROSSINGS NO.	BRIDGES
21,945.00			0.00		- - -	- - -						- - -	- - -						- - -	- - -
4,156.3																				

**Commonwealth of Kentucky
DEPARTMENT OF HIGHWAYS
COUNTY OF**

MEADE

KY 79 (IRVINGTON-BRANDENBURG ROAD)

ITEM NO. 4-8705.00

PROJECT NUMBER: _____

LETTING DATE: _____

RECOMMENDED BY: _____ PROJECT MANAGER DATE: _____

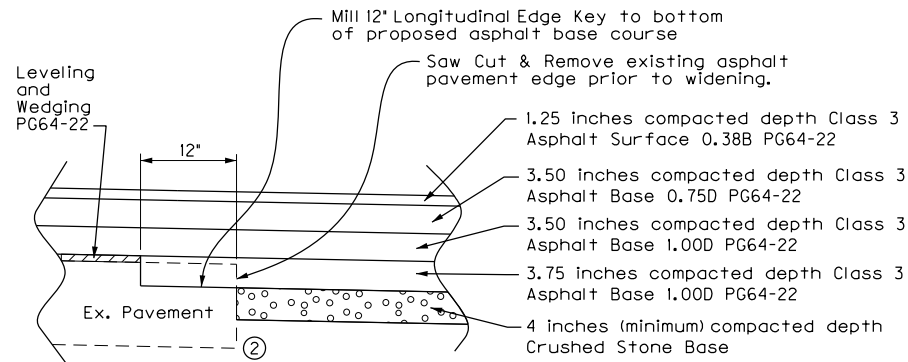
PLAN APPROVED BY: _____ STATE HIGHWAY ENGINEER DATE: _____

BURGESS & NIPLE
400 BLANKENBAKER PARKWAY, SUITE 300
LOUISVILLE, KENTUCKY 40243
PH. 502.254.2344 FAX 502.254.3008

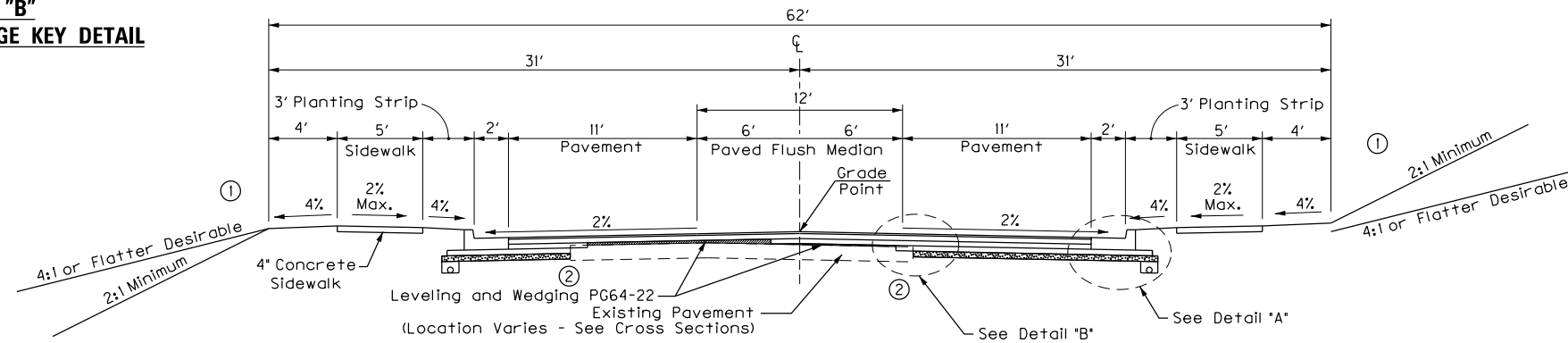
USER: hordour DATE PLOTTED: February 20, 2015
 FILE NAME: P:\PR52302\CADD\ROADWAY PLANS\RO0100R\LS.DGN
 E-SHEET NAME:
 MicroStation v8.11.7.443

TYPICAL SECTIONS KY 79 (IN MIDWAY)

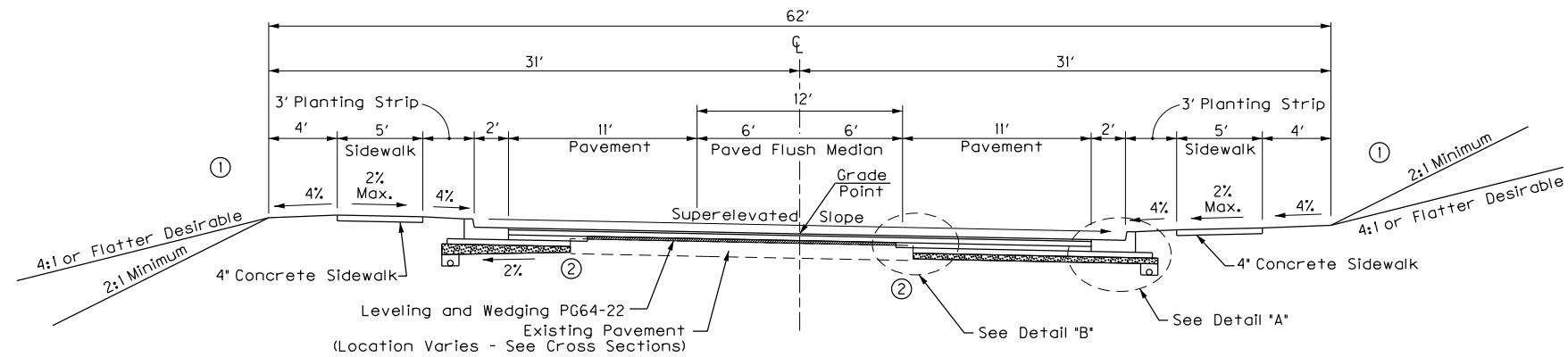
**RURAL MINOR ARTERIAL
35 mph DESIGN SPEED
ROLLING TERRAIN
CONTROL OF ACCESS BY PERMIT**



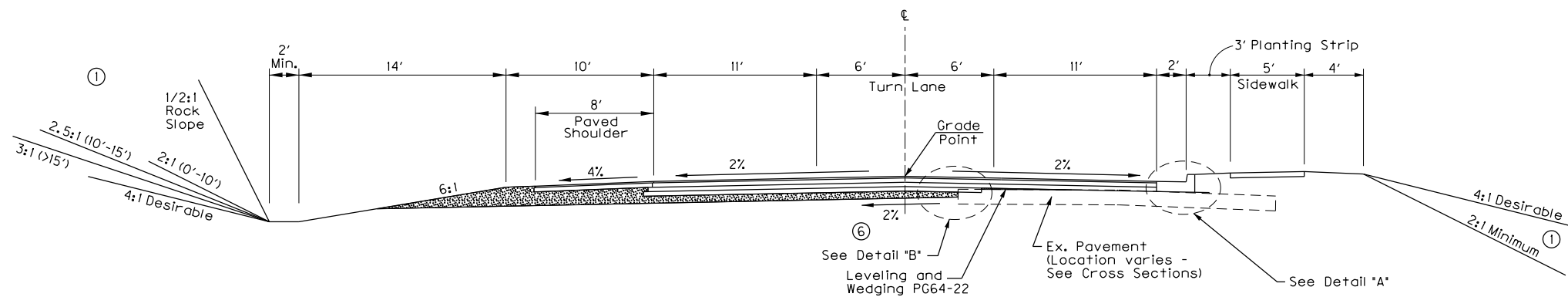
**DETAIL "B"
LONGITUDINAL EDGE KEY DETAIL**



**NORMAL SECTION THROUGH MIDWAY
STA. 494 + 00 TO STA. 501 + 35.35**



**SUPERELEVATED SECTION THROUGH MIDWAY
STA. 501 + 35.35 TO STA. 509 + 70**



**RURAL/URBAN SECTION - WITH MEDIAN LEFT-TURN LANE
STA. 509 + 70 TO STA. 517 + 00**

NOTES:

- See Cross Sections for slopes outside the limits of the sidewalk.
- Subgrade shall be graded to direct drainage away from the existing pavement in overlay areas.
- All longitudinal pipe drainage systems for the crushed stone base shall be outletted to a Headwall, Ditch Box, or Curb Box Inlet. Outlets shall be in a fill section whenever possible. Outlet spacing shall not exceed 500 feet except grades 1% or less, then the spacing of outlets shall not exceed 250 feet. All sags shall have an outlet.

PAVEMENT DESIGN (STA. 487+50 to STA. 579+50)
NEW CONSTRUCTION: FLEXIBLE PAVEMENT

Traffic Lanes (Widening):

- 4 inches (minimum) compacted depth Crushed Stone Base
- 3.75 inches compacted depth Class 3 Asphalt Base 1.00D PG64-22
- 3.50 inches compacted depth Class 3 Asphalt Base 1.00D PG64-22
- 3.50 inches compacted depth Class 3 Asphalt Base 0.75D PG64-22
- 1.25 inches compacted depth Class 3 Asphalt Surface 0.38B PG64-22

Traffic Lanes (Overlay):

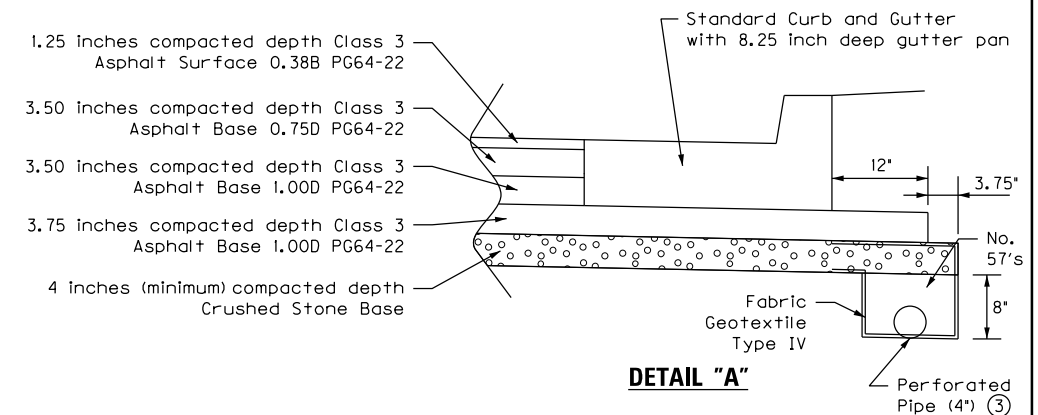
- Variable depth Leveling and Wedging PG64-22 (Depth varies as required to achieve proposed profile grade. Construct in layers to correspond with construction of "Widening")
- 3.50 inches compacted depth Class 3 Asphalt Base 0.75D PG64-22
- 1.25 inches compacted depth Class 3 Asphalt Surface 0.38B PG64-22

Shoulders:

Standard Curb and Gutter (with 8.25 inch deep gutter pan)

Plan Notes:

- No. 444 (A)
- No. 447



DETAIL "A"

RIGHT OF WAY PLANS

TYPICAL SECTIONS
KY 79 (IN MIDWAY)

TYPICAL SECTIONS KY 79 (SOUTH SEGMENT)

RURAL MINOR ARTERIAL
55 mph DESIGN SPEED
ROLLING TERRAIN
CONTROL OF ACCESS BY PERMIT

COUNTY OF	ITEM NO.	SHEET NO.
MEADE	4-8705.00	R2A

NOTES:

- ① See Cross Sections for slopes outside the limits of the shoulders.
- ② Location of guardrail where required.
- ③ Shoulder shall be widened one foot where guardrail is required.
- ④ High Side Superelevated Shoulder (outside portion) - construct to normal shoulder slope, except that the algebraic difference in shoulder slopes shall never exceed 8%.
- ⑤ Low Side Superelevated Shoulder - construct to superelevated slope, except not flatter than normal shoulder slope.
- ⑥ Subgrade shall be graded to direct drainage away from the existing pavement in overlay areas.

PAVEMENT DESIGN (STA. 487+50 TO STA. 579+50)
NEW CONSTRUCTION: FLEXIBLE PAVEMENT

Traffic Lanes (Widening):

- 4 inches (minimum) compacted depth Crushed Stone Base
- 3.75 inches compacted depth Class 3 Asphalt Base 1.00D PG64-22
- 3.50 inches compacted depth Class 3 Asphalt Base 1.00D PG64-22
- 3.50 inches compacted depth Class 3 Asphalt Base 0.75D PG64-22
- 1.25 inches compacted depth Class 3 Asphalt Surface 0.38B PG64-22

Traffic Lanes (Overlay):

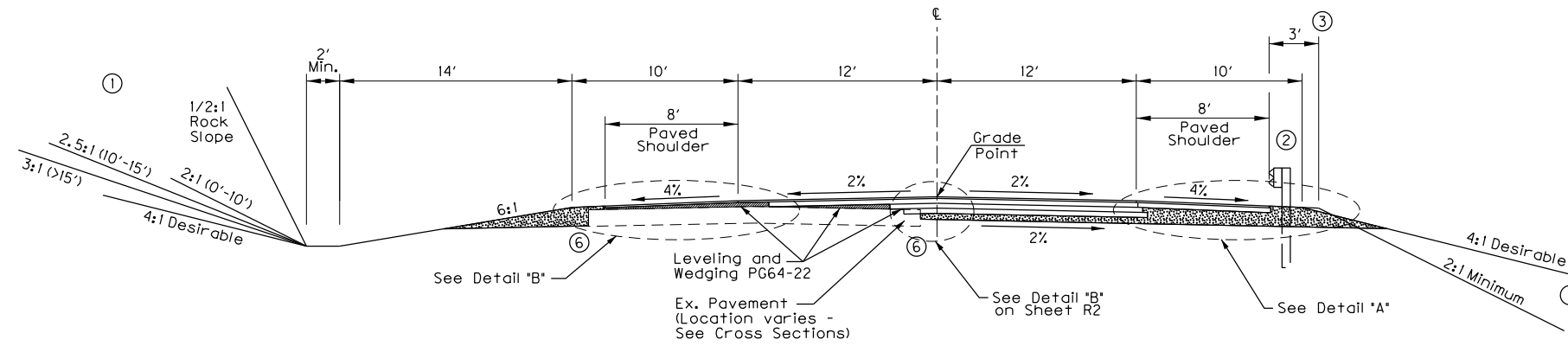
- Variable depth Leveling and Wedging PG64-22 (Depth varies as required to achieve proposed profile grade. Construct in layers to correspond with construction of "Widening")
- 3.50 inches compacted depth Class 3 Asphalt Base 0.75D PG64-22
- 1.25 inches compacted depth Class 3 Asphalt Surface 0.38B PG64-22

Shoulders:

- Full-depth Crushed Stone Base
- 3.50 inches compacted depth Class 2 Asphalt Base 0.75D PG64-22
- 1.25 inches compacted depth Class 2 Asphalt Surface 0.38D PG64-22
- Asphalt Seal
 - Asphalt Seal Coat 2.4 lb./sq. yd. (2 applications)
 - Asphalt Seal Aggregate 20 lb./sq. yd. (Size No. 8 or 9M) (2 applications)

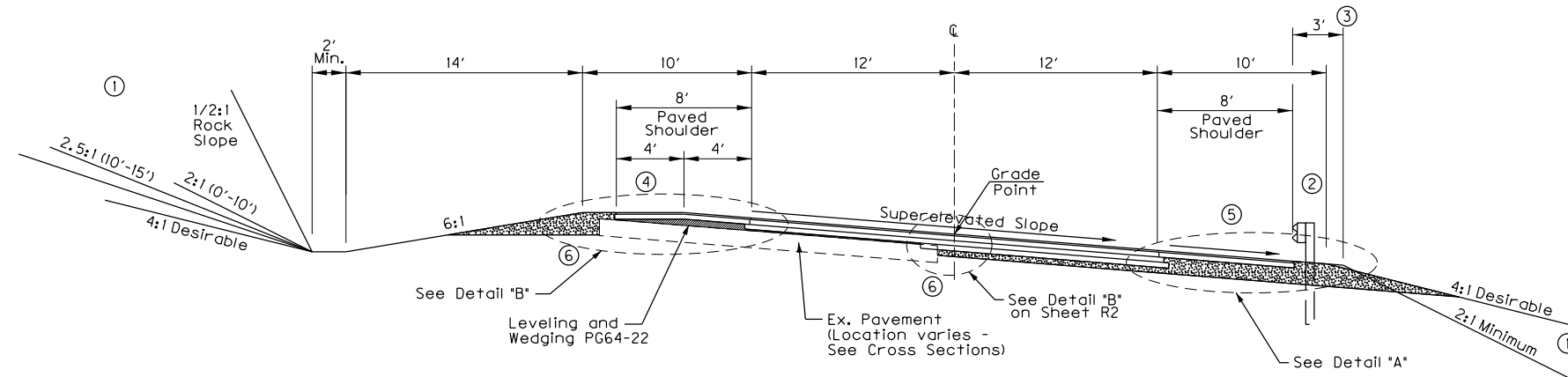
Plan Notes:

- No. 444 (A)
- No. 447



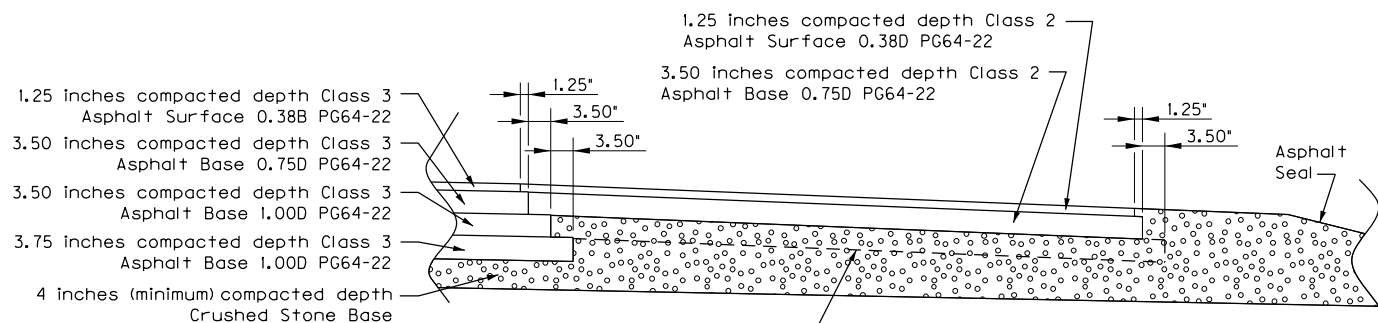
NORMAL SECTION

Sta. 520 + 00 to Sta. 525 + 80.45
Sta. 531 + 75.52 to Sta. 540 + 15.68
Sta. 555 + 64.57 to Sta. 559 + 56.99
Sta. 566 + 54.80 to Sta. 570 + 85.26
Sta. 574 + 65.29 to Sta. 577 + 80.60

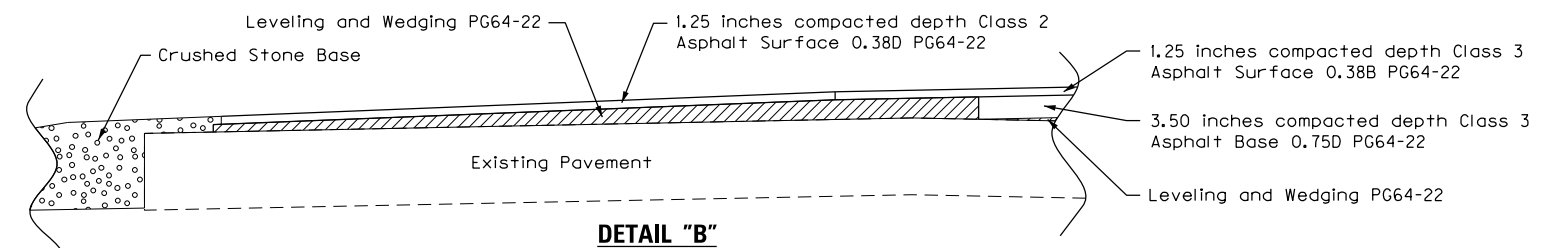


SUPERELEVATED SECTION

Sta. 525 + 80.45 to Sta. 531 + 75.52
Sta. 540 + 15.68 to Sta. 555 + 64.57
Sta. 559 + 56.99 to Sta. 566 + 54.80
Sta. 570 + 85.26 to Sta. 574 + 65.29
Sta. 577 + 80.60 to Sta. 579 + 50



DETAIL "A"



DETAIL "B"

**RIGHT OF WAY
PLANS**

TYPICAL SECTIONS
KY 79 (SOUTH SEGMENT)

FILE NAME: P:\R2302\CADD\ROADWAY PLANS\R0020A1.S.DGN

USER: mckeel
DATE PLOTTED: February 20, 2015

E-SHEET NAME:

MicroStation v8.11.9.459

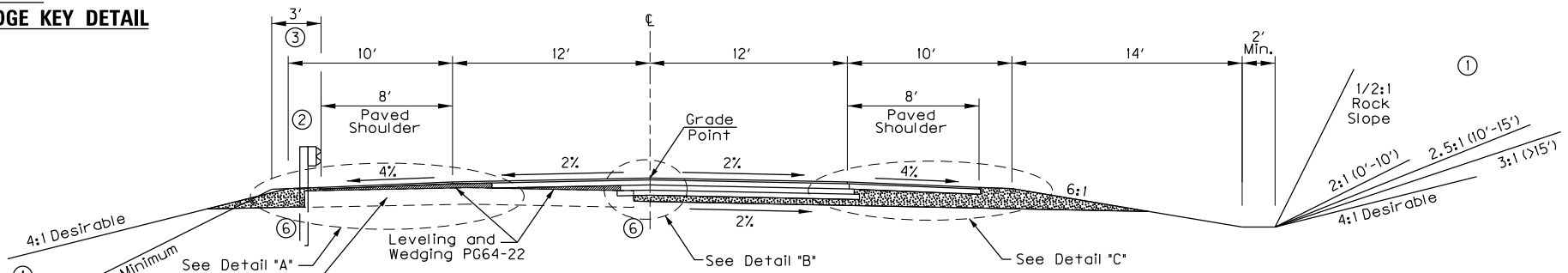
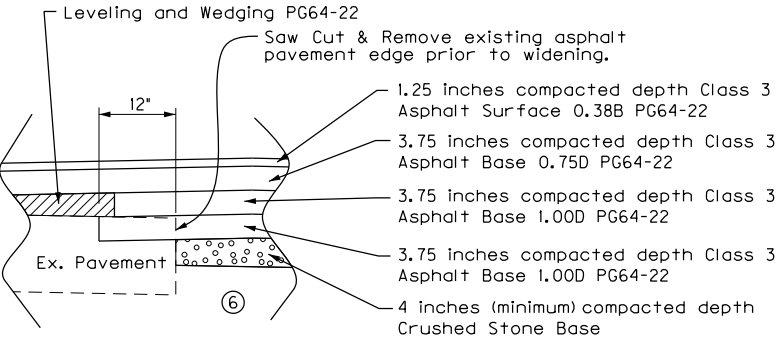
Replace Crushed Stone Base with 3.50 inches compacted depth Class 2 Asphalt Base 1.00D PG64-22 at locations indicated on the Construction Phasing Sheets to withstand temporary traffic in Phase 2.

COUNTY OF	ITEM NO.	SHEET NO.
MEADE	4-8705.00	R2B

TYPICAL SECTIONS KY 79 (NORTH SEGMENT)

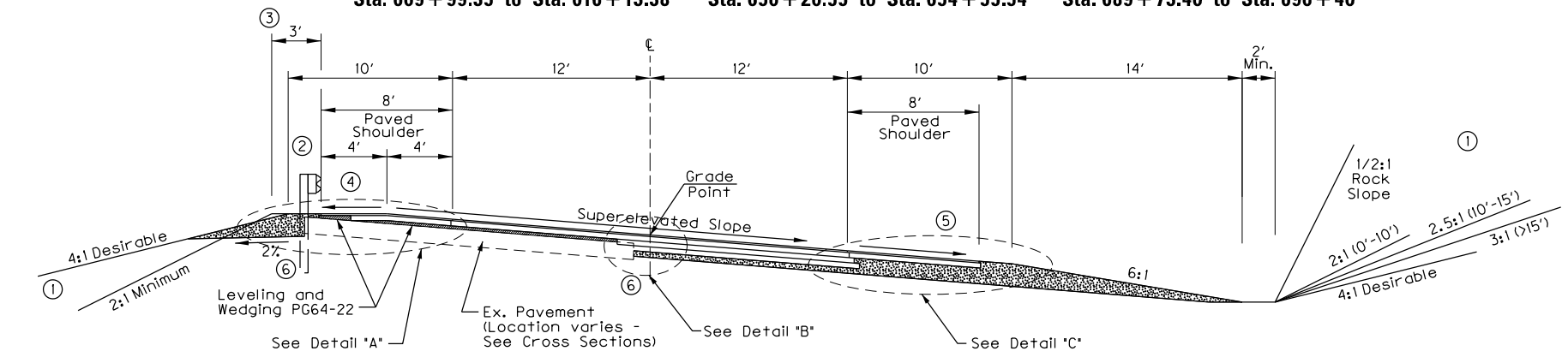
RURAL MINOR ARTERIAL
55 mph DESIGN SPEED
ROLLING TERRAIN
CONTROL OF ACCESS BY PERMIT

- NOTES:**
- See Cross Sections for slopes outside the limits of the shoulders.
 - Location of guardrail where required.
 - Shoulder shall be widened one foot where guardrail is required.
 - High Side Superelevated Shoulder (outside portion) - construct to normal shoulder slope, except that the algebraic difference in shoulder slopes shall never exceed 8%.
 - Low Side Superelevated Shoulder - construct to superelevated slope, except not flatter than normal shoulder slope.
 - Subgrade shall be graded to direct drainage away from the existing pavement in overlay areas.



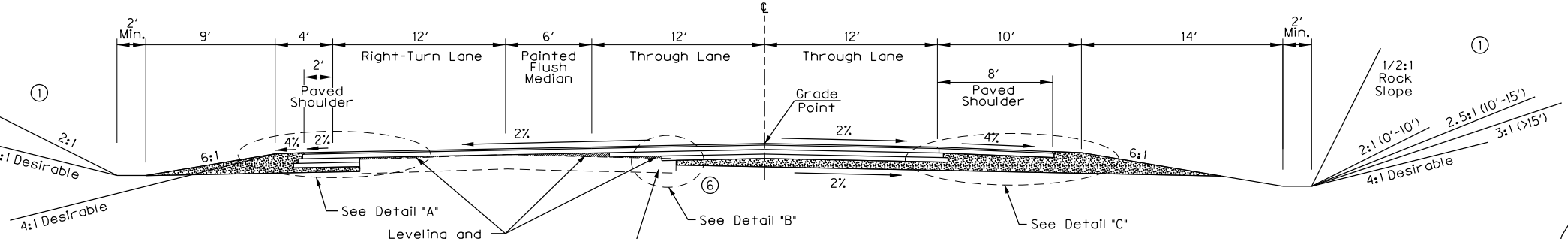
NORMAL SECTION

Sta. 584 + 85 to Sta. 593 + 00.07	Sta. 624 + 60.39 to Sta. 628 + 57.37	Sta. 662 + 47.93 to Sta. 669 + 18.43
Sta. 599 + 55.83 to Sta. 602 + 86.15	Sta. 639 + 56.62 to Sta. 641 + 81.65	Sta. 678 + 35.07 to Sta. 682 + 65.04
Sta. 609 + 99.35 to Sta. 616 + 13.38	Sta. 650 + 20.55 to Sta. 654 + 55.54	Sta. 689 + 73.40 to Sta. 690 + 40

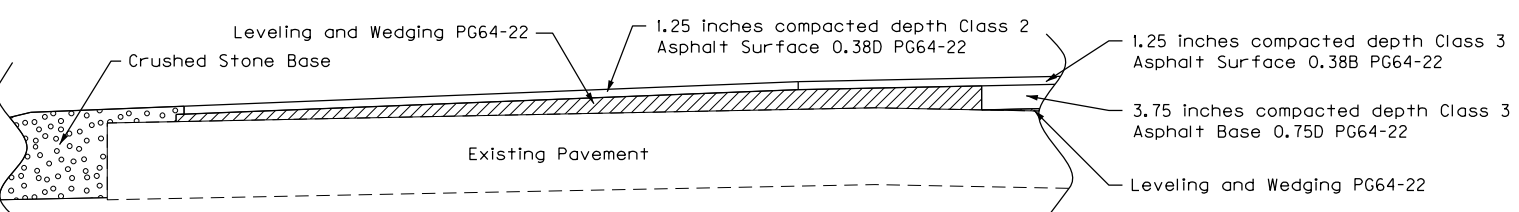


SUPERELEVATED SECTION

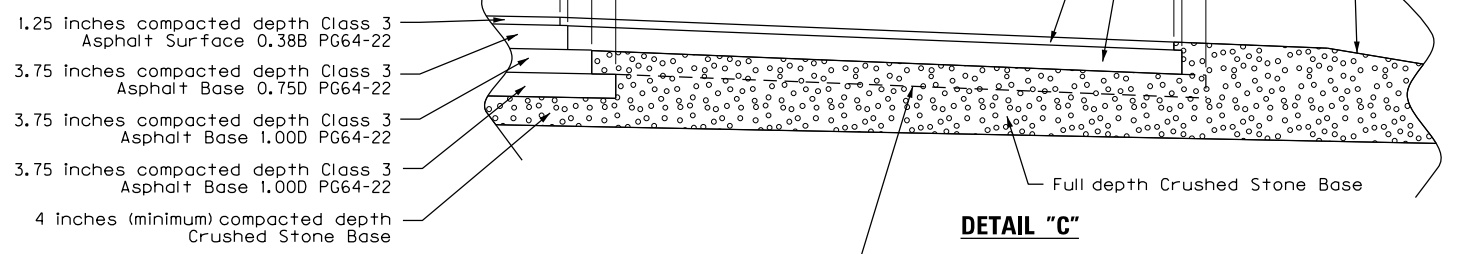
Sta. 579 + 50 to Sta. 581 + 24.37	Sta. 616 + 13.38 to Sta. 624 + 60.39	Sta. 654 + 55.54 to Sta. 662 + 47.93
Sta. 593 + 00.07 to Sta. 599 + 55.83	Sta. 628 + 57.37 to Sta. 639 + 56.62	Sta. 669 + 18.43 to Sta. 678 + 35.07
Sta. 602 + 86.15 to Sta. 609 + 99.35	Sta. 641 + 81.65 to Sta. 650 + 20.55	Sta. 682 + 65.04 to Sta. 689 + 73.40



SECTION WITH RIGHT-TURN LANE
Sta. 581 + 24.37 to Sta. 584 + 85



DETAIL "A"



DETAIL "C"

Replace Crushed Stone Base with 3.75 inches compacted depth Class 2 Asphalt Base 1.00D PG64-22 at locations indicated on the Construction Phasing Sheets to withstand temporary traffic in Phase 2.

PAVEMENT DESIGN (STA. 579+50 TO STA. 706+70)
NEW CONSTRUCTION: FLEXIBLE PAVEMENT

Traffic Lanes (Widening):

- 4 inches (minimum) compacted depth Crushed Stone Base
- 3.75 inches compacted depth Class 3 Asphalt Base 1.00D PG64-22
- 3.75 inches compacted depth Class 3 Asphalt Base 1.00D PG64-22
- 3.75 inches compacted depth Class 3 Asphalt Base 0.75D PG64-22
- 1.25 inches compacted depth Class 3 Asphalt Surface 0.38B PG64-22

Traffic Lanes (Overlay):

- Variable depth Leveling and Wedging PG64-22 (Depth varies as required to achieve proposed profile grade. Construct in layers to correspond with construction of "Widening")
- 3.75 inches compacted depth Class 3 Asphalt Base 0.75D PG64-22
- 1.25 inches compacted depth Class 3 Asphalt Surface 0.38B PG64-22

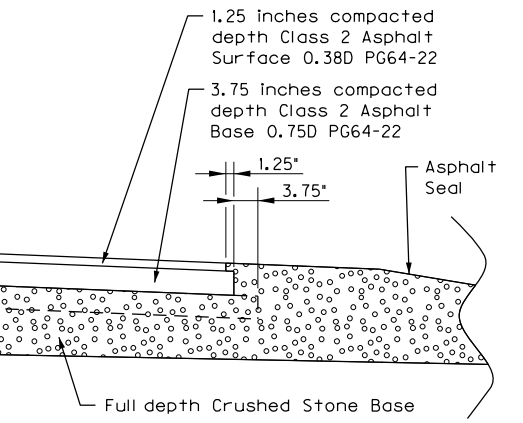
Shoulders:

- Full-depth Crushed Stone Base
- 3.75 inches compacted depth Class 2 Asphalt Base 0.75D PG64-22
- 1.25 inches compacted depth Class 2 Asphalt Surface 0.38D PG64-22 Asphalt Seal
 - Asphalt Seal Coat 2.4 lb./sq. yd. (2 applications)
 - Asphalt Seal Aggregate 20 lb./sq. yd. (Size No. 8 or 9M) (2 applications)

Plan Notes:

- No. 444 (A)
- No. 447

RIGHT OF WAY PLANS



**TYPICAL SECTIONS
KY 79 (NORTH SEGMENT)**

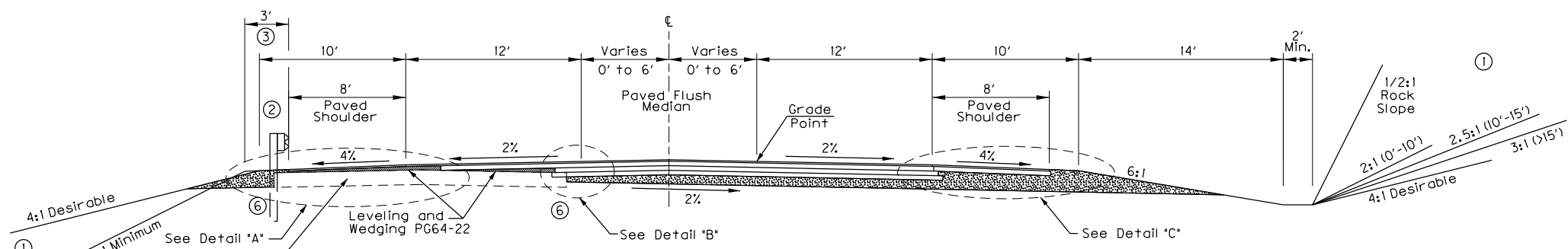
FILE NAME: P:\PR52302\CADD\ROADWAY PLANS\ROAD20BTS.DGN
 USER: mcabison
 DATE PLOTTED: February 20, 2015
 E-SHEET NAME:
 MicroStation v8.11.9.459

TYPICAL SECTIONS

KY 79 RURAL/URBAN BY-PASS APPROACH

RURAL MINOR ARTERIAL
45 mph DESIGN SPEED
ROLLING TERRAIN
CONTROL OF ACCESS BY PERMIT

- NOTES:**
- See Cross Sections for slopes outside the limits of the sidewalk or shoulder.
 - Subgrade shall be graded to direct drainage away from the existing pavement in overlay areas.
 - All longitudinal pipe drainage systems for the crushed stone base shall be outletted to a Headwall, Ditch Box, or Curb Box Inlet. Outlets shall be in a fill section whenever possible. Outlet spacing shall not exceed 500 feet except grades 1% or less, then the spacing of outlets shall not exceed 250 feet. All sags shall have an outlet.



NORMAL SECTION
STA. 690 + 40 TO STA. 696 + 50

PAVEMENT DESIGN (STA. 579+50 TO STA. 706+70)
NEW CONSTRUCTION: FLEXIBLE PAVEMENT

Traffic Lanes (Widening):

- 4 inches (minimum) compacted depth Crushed Stone Base
- 3.75 inches compacted depth Class 3 Asphalt Base 1.00D PG64-22
- 3.75 inches compacted depth Class 3 Asphalt Base 1.00D PG64-22
- 3.75 inches compacted depth Class 3 Asphalt Base 0.75D PG64-22
- 1.25 inches compacted depth Class 3 Asphalt Surface 0.38B PG64-22

Traffic Lanes (Overlay):

Variable depth Leveling and Wedging PG64-22
 (Depth varies as required to achieve proposed profile grade.
 Construct in layers to correspond with construction of "Widening")

- 3.75 inches compacted depth Class 3 Asphalt Base 0.75D PG64-22
- 1.25 inches compacted depth Class 3 Asphalt Surface 0.38B PG64-22

Shoulders (Left Side):

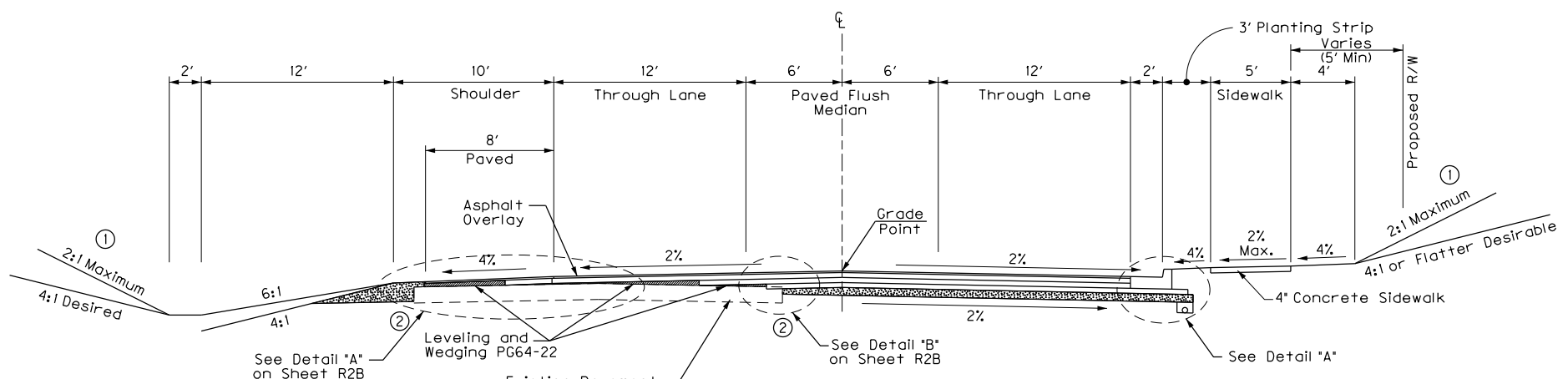
- Full-depth Crushed Stone Base
- 3.75 inches compacted depth Class 2 Asphalt Base 0.75D PG64-22
- 1.25 inches compacted depth Class 2 Asphalt Surface 0.38D PG64-22
- Asphalt Seal
- Asphalt Seal Coat 2.4 lb./sq. yd. (2 applications)
- Asphalt Seal Aggregate 20 lb./sq. yd. (Size No. 8 or 9M) (2 applications)

Shoulders (Right Side):

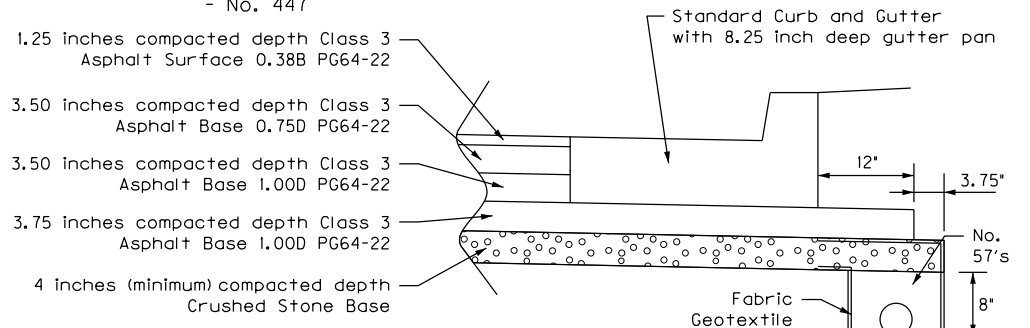
Standard Curb and Gutter (with 8.75 inch deep gutter pan)

Plan Notes:

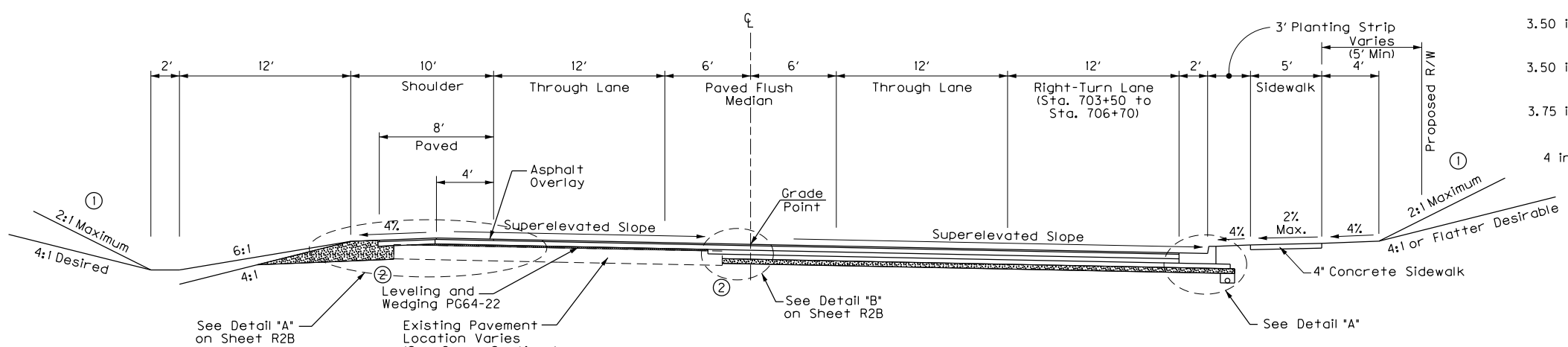
- No. 444 (A)
- No. 447



NORMAL SECTION
STA. 696 + 50 TO STA. 703 + 78.58



DETAIL "A"



SUPERELEVATED SECTION
STA. 703 + 78.58 TO STA. 706 + 70

RIGHT OF WAY PLANS

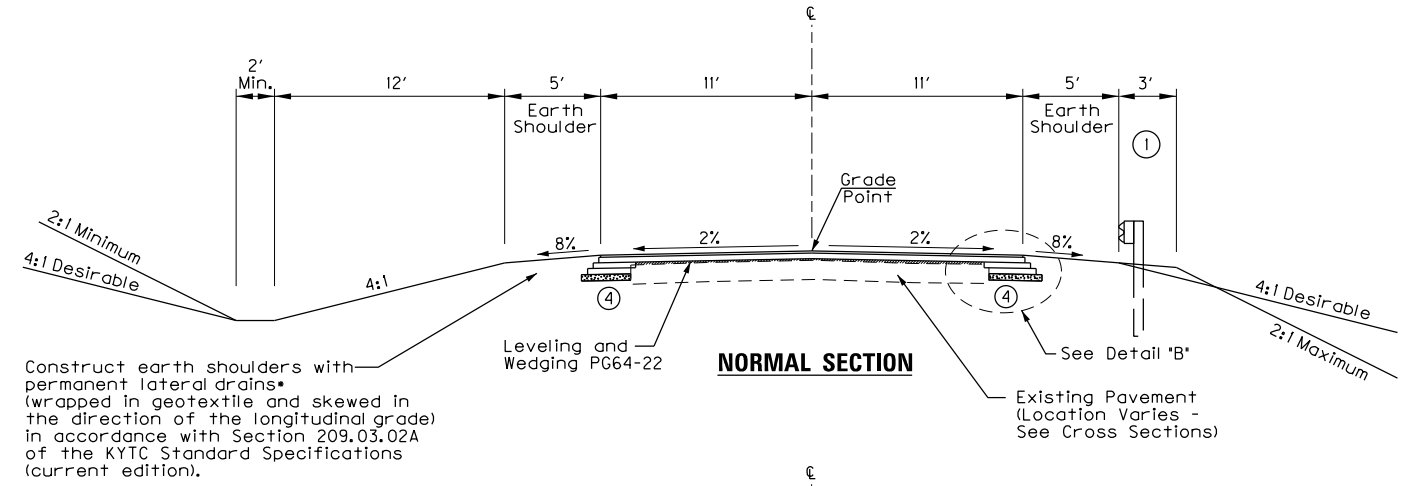
FILE NAME: P:\PR52302\CADD\ROADWAY PLANS\ROAD20CTS.DGN
 USER: mrobison
 DATE PLOTTED: February 20, 2015
 E-SHEET NAME:
 MicroStation v8.11.9.459

TYPICAL SECTIONS KY 144 EAST (SOUTH MIDWAY ROAD)

RURAL MAJOR COLLECTOR
45 mph DESIGN SPEED
ROLLING TERRAIN
CONTROL OF ACCESS BY PERMIT

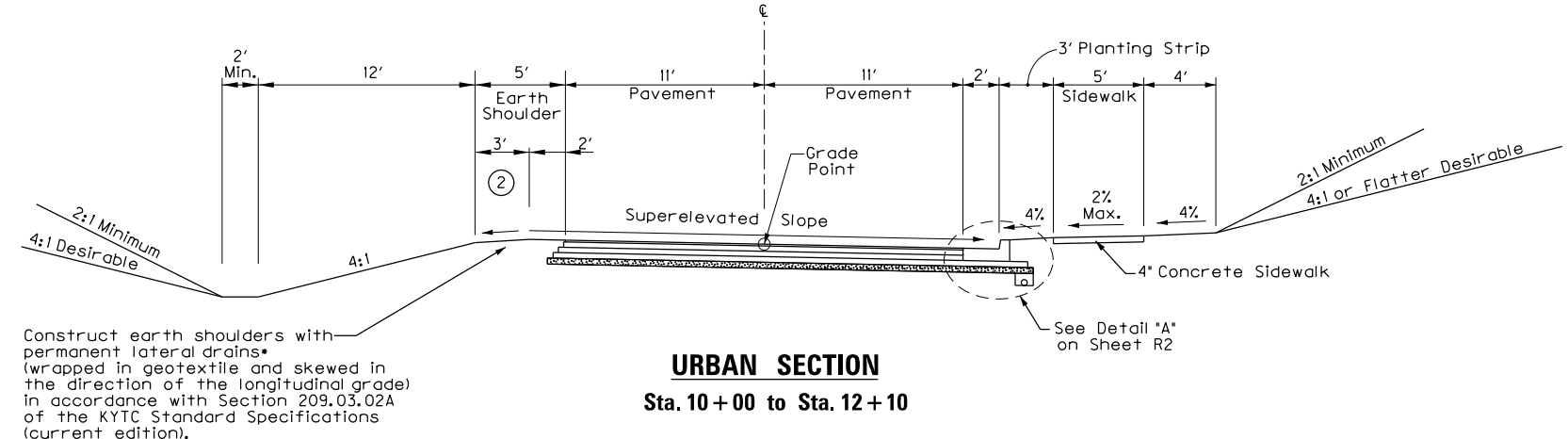
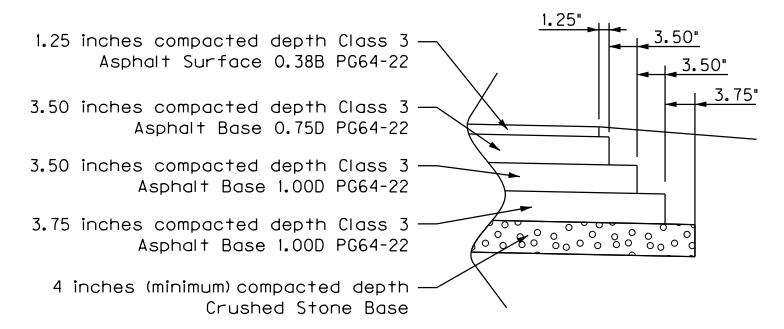
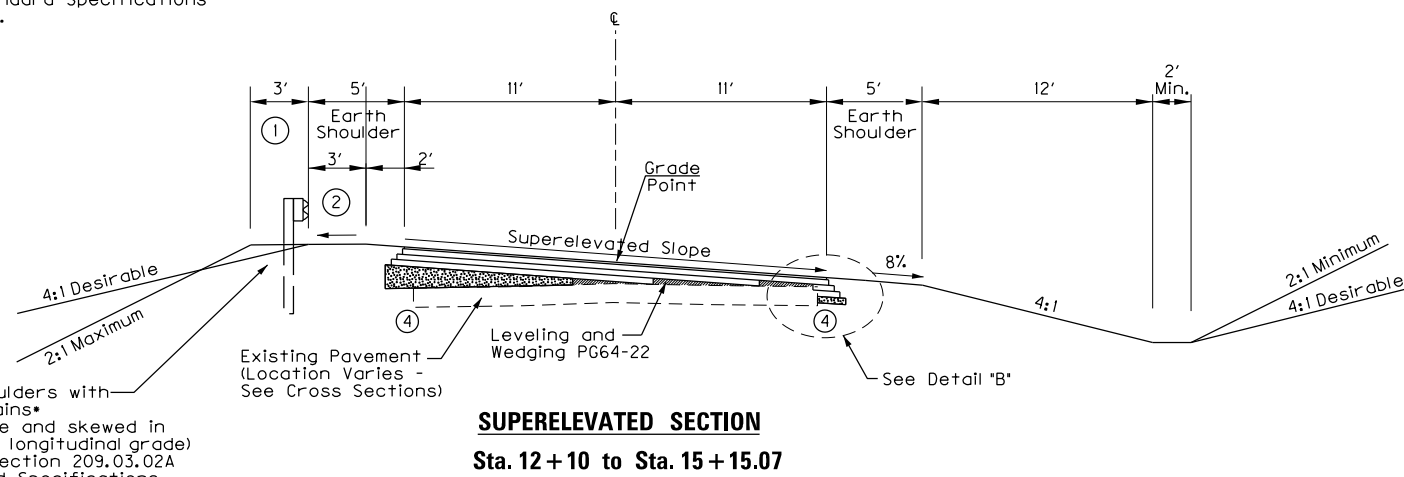
NOTES:

- ① Shoulder shall be widened three feet where guardrail is required.
- ② High Side Superelevated Shoulder (outside portion) - construct to normal shoulder slope, except that the algebraic difference in shoulder slopes shall never exceed 8%.
- ③ Pave with Mainline pavement (South segment) to the limits of construction on KY 144 East. See Sheets R2 and R2A for pavement design details.
- ④ Subgrade shall be graded to direct drainage away from the existing pavement in overlay areas.



*The Department will measure granular material used in backfilling lateral drain in the same manner as the specified granular base material. The Department will not measure excavation for lateral drains, disposal of surplus materials, or furnishing and placing geotextile fabric for payment and will consider this work incidental to the granular base.

Construct earth shoulders with permanent lateral drains* (wrapped in geotextile and skewed in the direction of the longitudinal grade) in accordance with Section 209.03.02A of the KYTC Standard Specifications (current edition).



RIGHT OF WAY PLANS

TYPICAL SECTIONS
 KY 144 EAST
 (SOUTH MIDWAY ROAD)

FILE NAME: P:\PR52302\CADD\ROADWAY PLANS\ROAD20DTS.DGN
 USER: mckeel
 DATE PLOTTED: February 20, 2015
 E-SHEET NAME:
 MicroStation v8.11.9.459

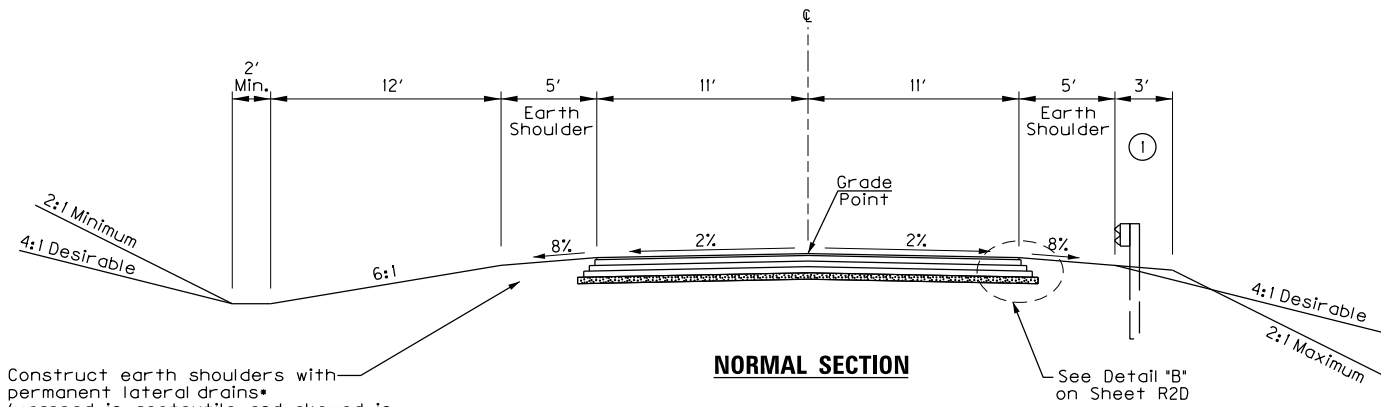
COUNTY OF	ITEM NO.	SHEET NO.
MEADE	4-8705.00	R2E

TYPICAL SECTIONS RELOCATED KY 1239 (NORTH MIDWAY ROAD)

RURAL MAJOR COLLECTOR
55 mph DESIGN SPEED
ROLLING TERRAIN
CONTROL OF ACCESS BY PERMIT

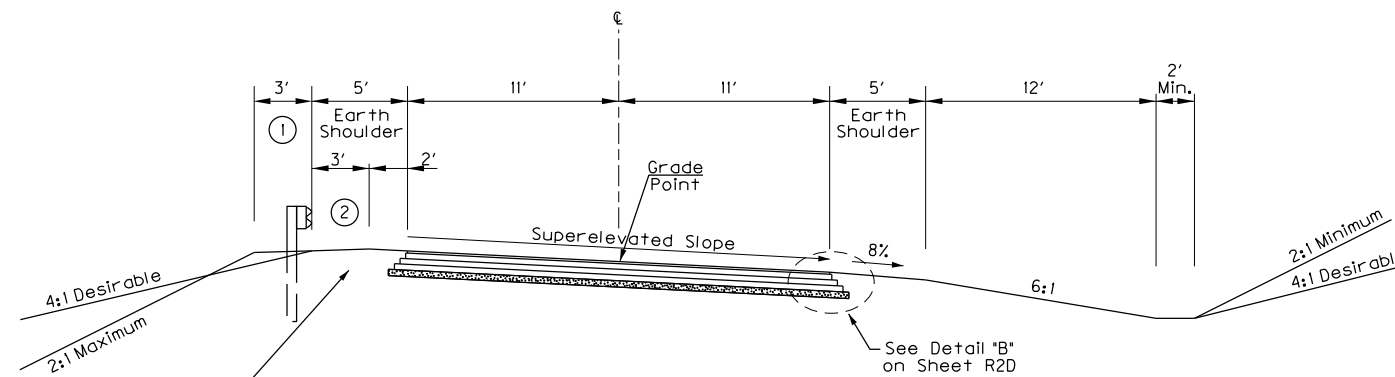
NOTES:

- ① Shoulder shall be widened three feet where guardrail is required.
- ② High Side Superelevated Shoulder (outside portion) - construct to normal shoulder slope, except that the algebraic difference in shoulder slopes shall never exceed 8%.
- ③ Pave with Mainline pavement (South segment) to the limits of construction on KY 1239. See Sheets R2 and R2A for pavement design details.



Construct earth shoulders with permanent lateral drains* (wrapped in geotextile and skewed in the direction of the longitudinal grade) in accordance with Section 209.03.02A of the KYTC Standard Specifications (current edition).

*The Department will measure granular material used in backfilling lateral drain in the same manner as the specified granular base material. The Department will not measure excavation for lateral drains, disposal of surplus materials, or furnishing and placing geotextile fabric for payment and will consider this work incidental to the granular base.



Construct earth shoulders with permanent lateral drains* (wrapped in geotextile and skewed in the direction of the longitudinal grade) in accordance with Section 209.03.02A of the KYTC Standard Specifications (current edition).

**RIGHT OF WAY
PLANS**

TYPICAL SECTIONS
RELOCATED KY 1239
(NORTH MIDWAY ROAD)

TYPICAL SECTIONS KY 79 MINOR CROSSROADS (SOUTH SECTION)

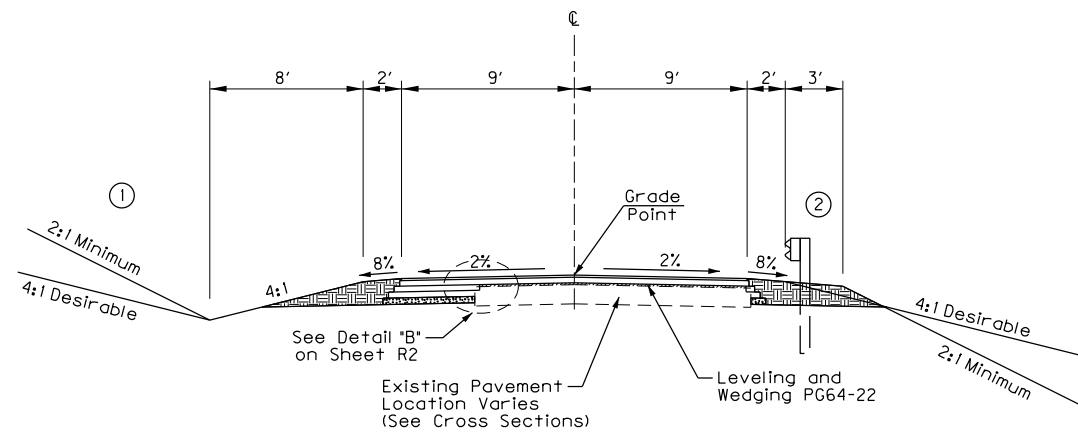
SIROCCO-MIDWAY ROAD,
RAGTOWN LANE, MOLLY BROWN ROAD

RURAL LOCAL ROADWAYS
(WITH ESTIMATED ADT FROM 50 TO 400 VEH/DAY)
DESIGN SPEED VARIES (SEE TABLE)
ROLLING TERRAIN
CONTROL OF ACCESS BY PERMIT

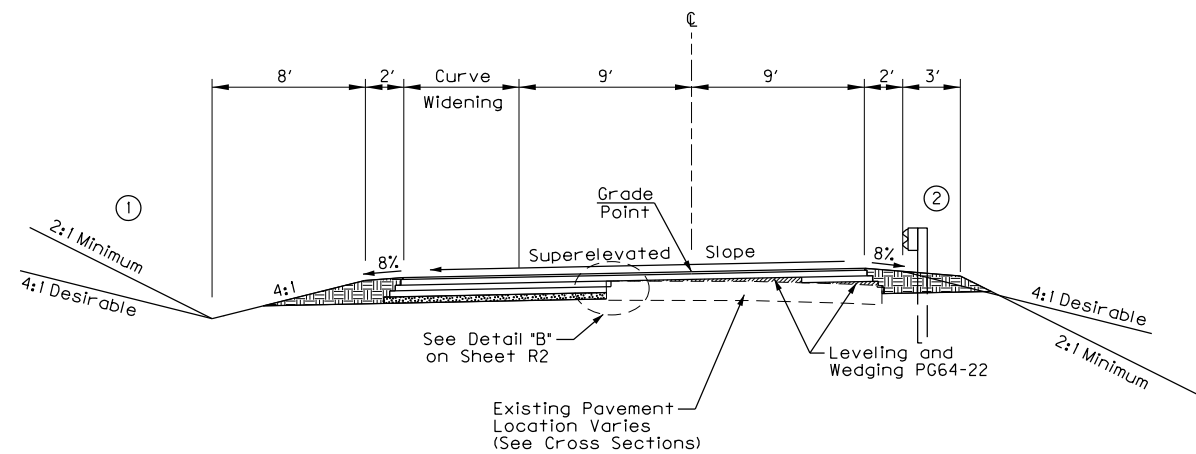
Posted Speed Limits on Crossroads	Design Speed
Sirocco-Midway Road	Unposted 35 mph
Ragtown Lane	20 mph 20 mph
Molly Brown Road	35 mph 35 mph

NOTES:

- ① See Cross Sections for slopes outside the limits of the shoulders.
- ② Shoulder shall be widened three feet where guardrail is required.
- ③ Pave with Mainline pavement (South segment) to the limits of construction. See Sheets R2 and R2A for pavement design details.



NORMAL SECTION



SUPERELEVATED SECTION

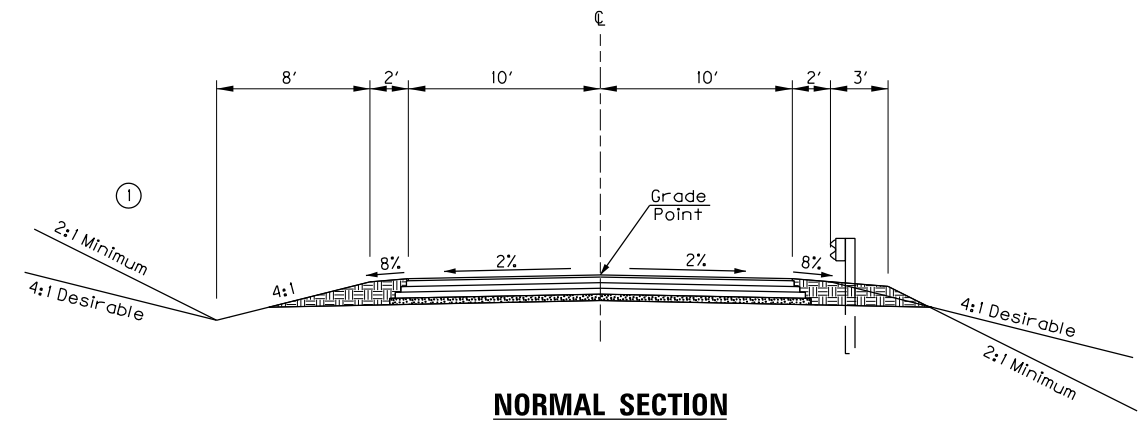
**RIGHT OF WAY
PLANS**

TYPICAL SECTIONS
KY 79 MINOR CROSSROADS
IN SOUTH SECTION

COUNTY OF	ITEM NO.	SHEET NO.
MEADE	4-8705.00	R2G

TYPICAL SECTION NORTH MIDWAY ROAD CONNECTOR

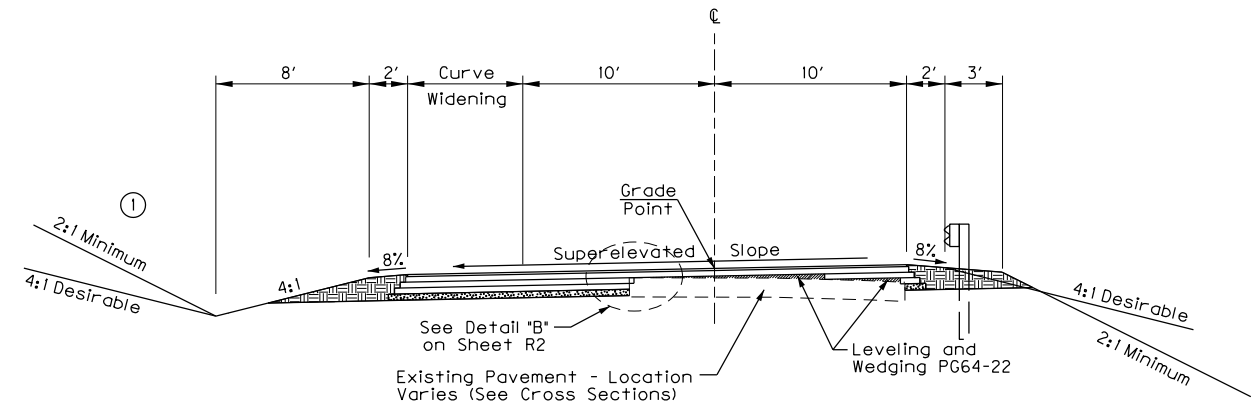
RURAL LOCAL ROADWAY
(WITH ESTIMATED ADT FROM 50 TO 400 VEH/DAY)
25 MPH DESIGN SPEED
ROLLING TERRAIN
CONTROL OF ACCESS BY PERMIT



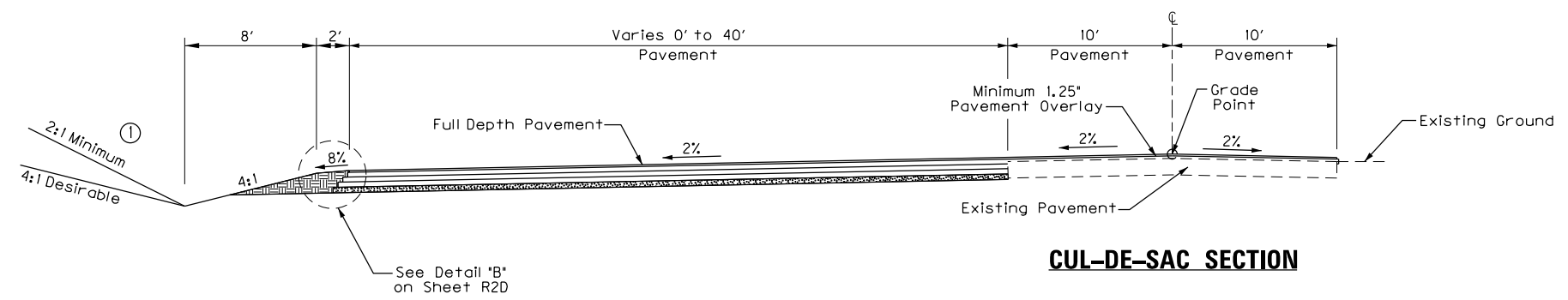
NORMAL SECTION

NOTES:

① See Cross Sections for slopes outside the limits of the shoulders.



SUPERELEVATED SECTION



CUL-DE-SAC SECTION

**RIGHT OF WAY
PLANS**

TYPICAL SECTIONS
NORTH MIDWAY ROAD CONNECTOR

FILE NAME: P:\P\2302\CADD\ROADWAY PLANS\ROAD20GT5.DGN

USER: harbour
DATE PLOTTED: February 20, 2015

E-SHEET NAME:

MicroStation v8.1i.7.443

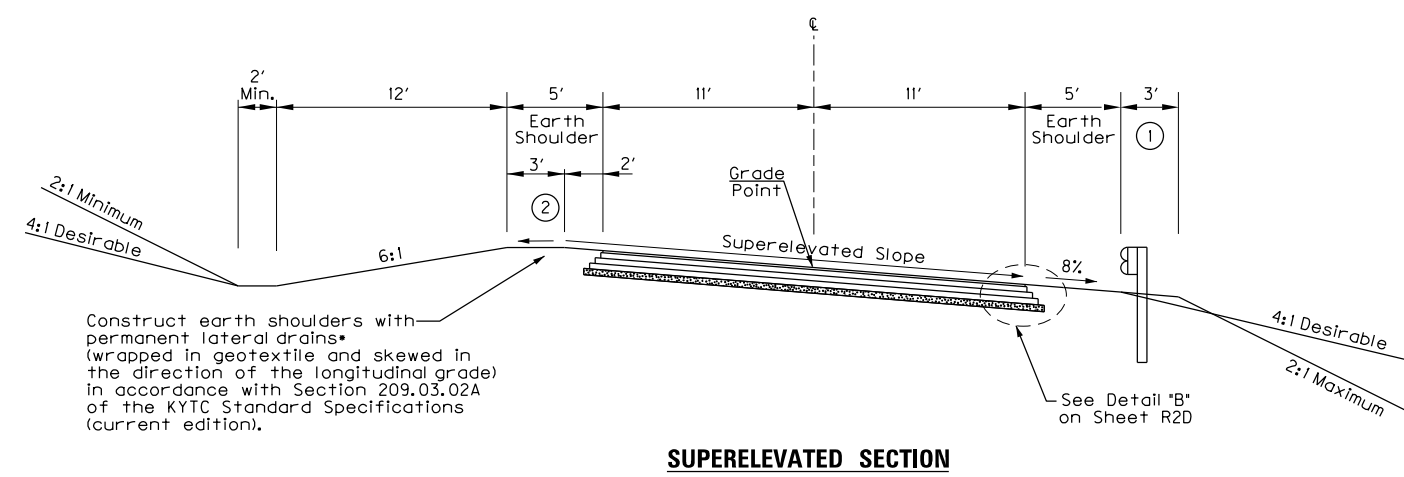
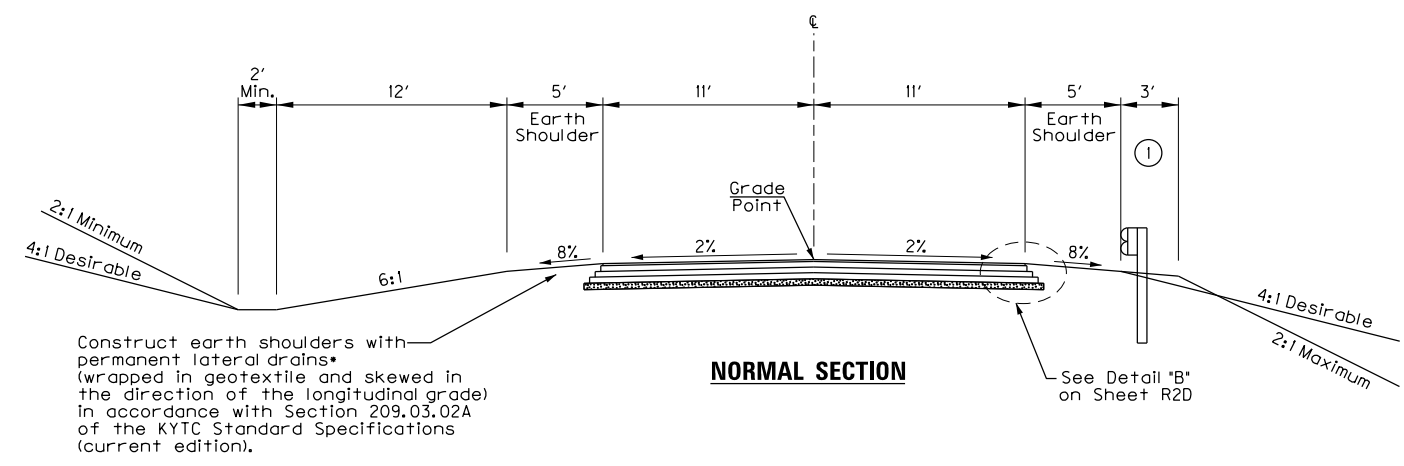
COUNTY OF	ITEM NO.	SHEET NO.
MEADE	4-8705.00	R2H

TYPICAL SECTIONS KY 144 WEST (PAYNEVILLE ROAD)

RURAL MAJOR COLLECTOR
55 mph DESIGN SPEED
ROLLING TERRAIN
CONTROL OF ACCESS BY PERMIT

NOTES:

- ① Shoulder shall be widened three feet where guardrail is required.
- ② High Side Superelevated Shoulder (outside portion) - construct to normal shoulder slope, except that the algebraic difference in shoulder slopes shall never exceed 8%.
- ③ Pave with Mainline pavement (South segment) to the limits of construction on KY 144 West. See Sheets R2 and R2A for pavement design details.



*The Department will measure granular material used in backfilling lateral drain in the same manner as the specified granular base material. The Department will not measure excavation for lateral drains, disposal of surplus materials, or furnishing and placing geotextile fabric for payment and will consider this work incidental to the granular base.

**RIGHT OF WAY
PLANS**

TYPICAL SECTIONS
KY 144 WEST (PAYNEVILLE ROAD)

FILE NAME: P:\R252302\CADD\ROADWAY PLANS\R0020HTS.DGN
USER: mckeel
DATE PLOTTED: February 20, 2015
E-SHEET NAME:
MicroStation v8.1i.9.459

TYPICAL SECTIONS KY 79 MINOR CROSSROADS (NORTH SECTION)

FRED FACKLER ROAD, ISABEL LANE,
TURNER ROAD, FOXBORO ROAD,
GREENWELL LANE, KIRCHDORFER LANE,
MELINDA DRIVE, HAYNES ROAD, BCC ENTRANCE

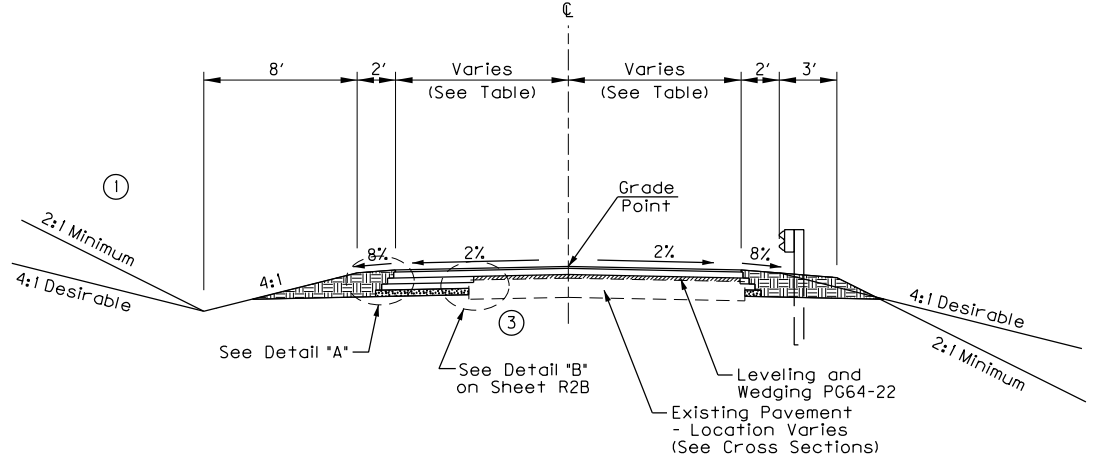
RURAL LOCAL ROADWAYS
(WITH ESTIMATED ADT FROM 50 TO 400 VEH/DAY)
DESIGN SPEED VARIES (SEE TABLE)
ROLLING TERRAIN
CONTROL OF ACCESS BY PERMIT

	Posted Speed Limits on Crossroads:	Design Speed:	Lane Width:
Fred Fackler Road	35 mph	35 mph	9 ft
Isabel Lane	- - -	25 mph	See Plans
Turner Road	35 mph	35 mph	9 ft
Foxboro Road	20 mph	20 mph	•
Greenwell Lane	- - -	25 mph	9 ft
Kirchdorfer Lane	- - -	25 mph	9 ft
Melinda Drive	20 mph	20 mph	See Plans
Haynes Road	- - -	25 mph	9 ft
BCC Entrance	- - -	25 mph	9 ft

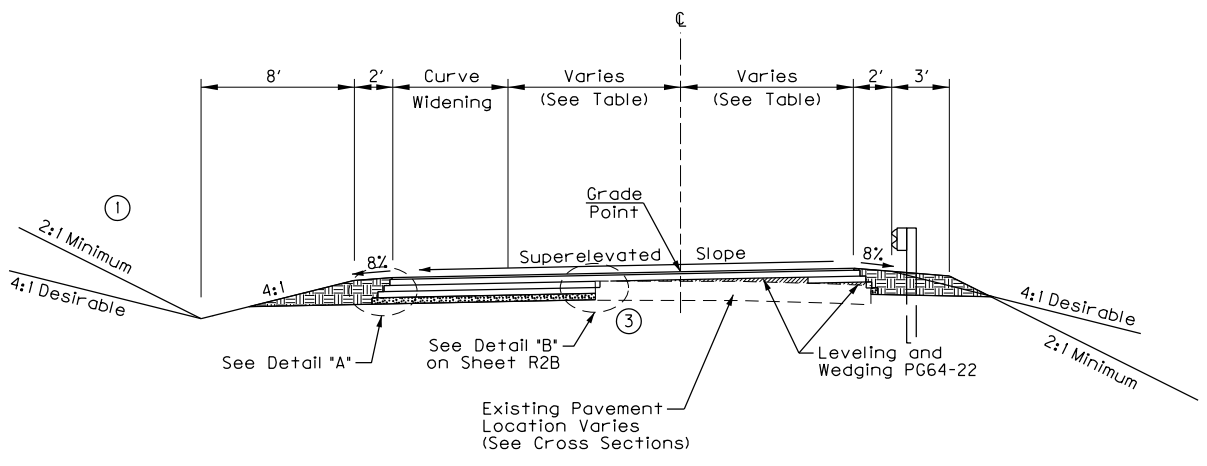
• 9' (West of KY 79), 12' (East of KY 79)

NOTES:

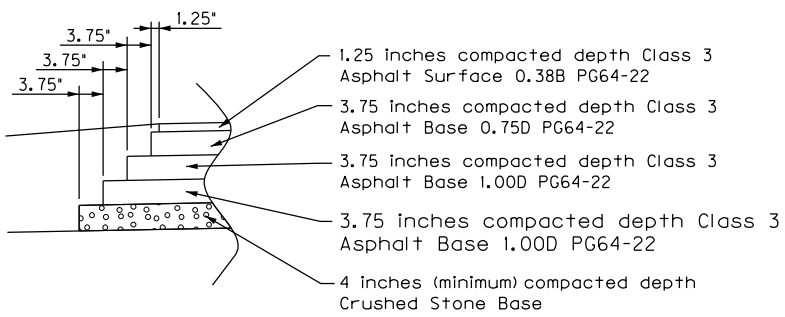
- ① See Cross Sections for slopes outside the limits of the shoulders.
- ② Pave with Mainline pavement (North segment) to the limits of construction on Crossroads. See Sheets R2B and R2C for pavement design details.
- ③ Subgrade shall be graded to direct drainage away from the existing pavement in overlay areas.



NORMAL SECTION



SUPERELEVATED SECTION



DETAIL "A"

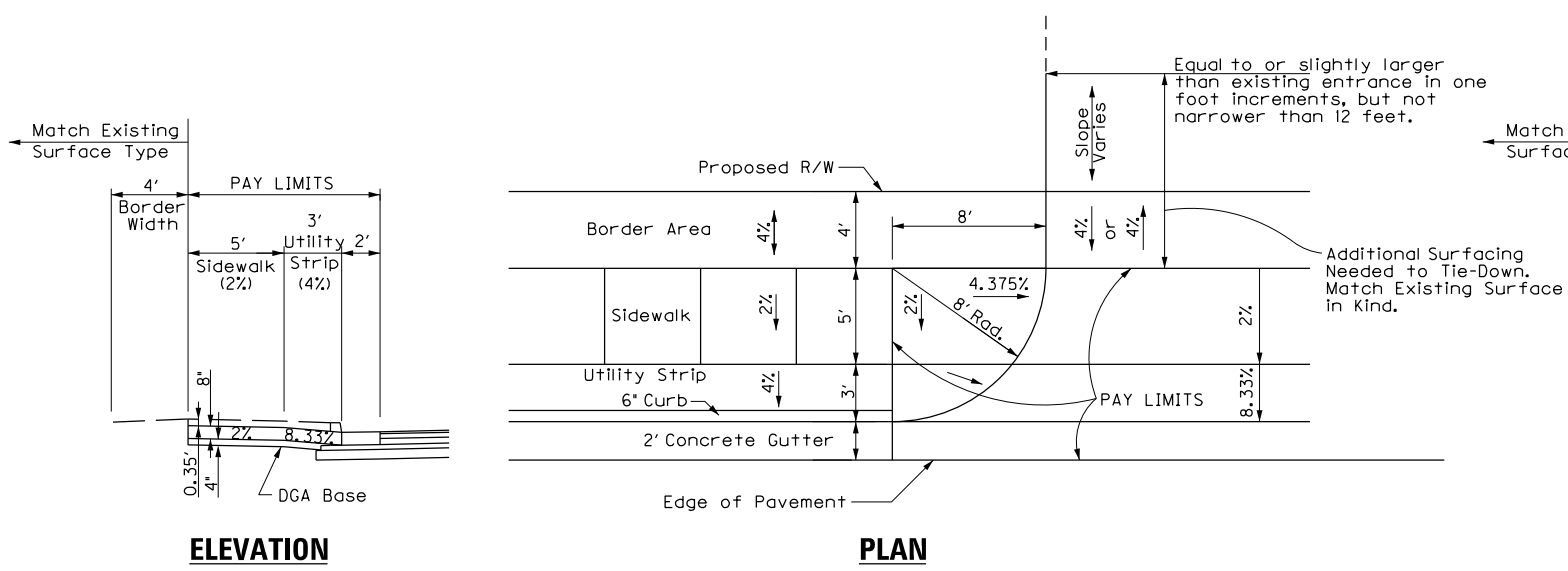
**RIGHT OF WAY
PLANS**

TYPICAL SECTIONS
KY 79 MINOR CROSSROADS
IN NORTH SECTION

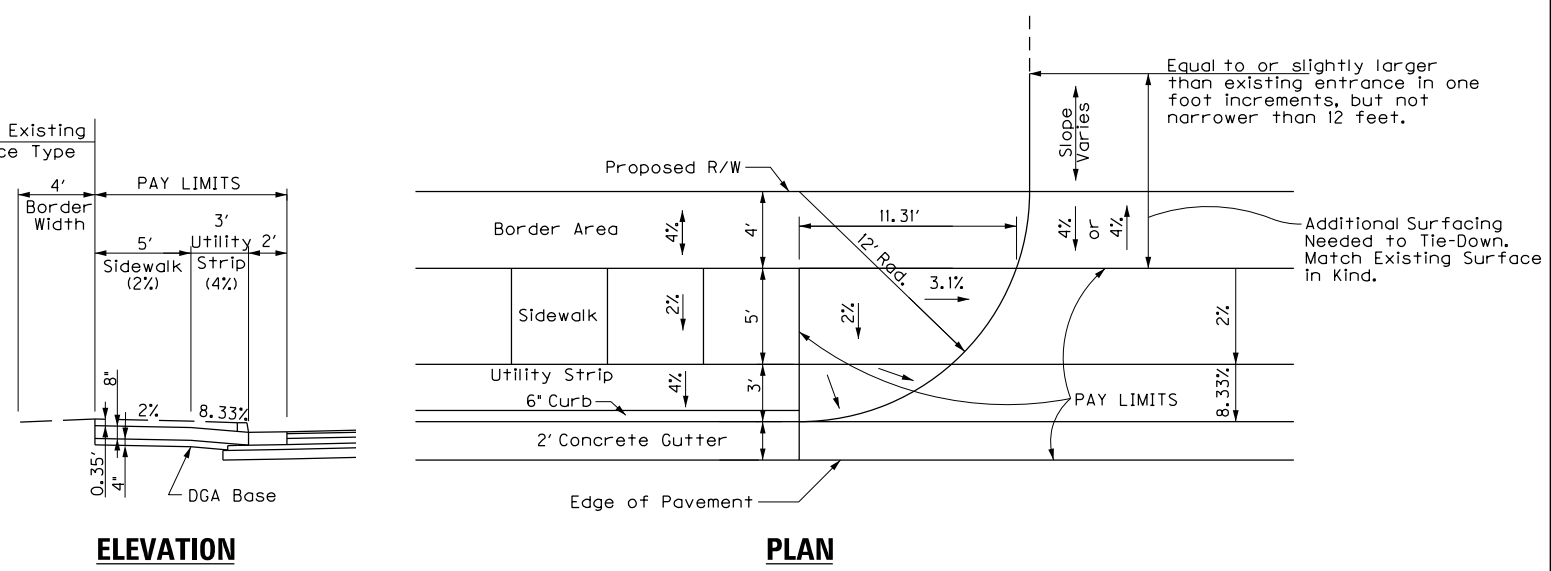
FILE NAME: P:\PR52302\CADD\ROADWAY PLANS\RO0201TS.DGN
USER: mckeel
DATE PLOTTED: February 20, 2015
E-SHEET NAME:
MicroStation v8.11.9.459

COUNTY OF	ITEM NO.	SHEET NO.
MEADE	4-8705.00	R2J

TYPICAL SECTIONS ENTRANCES



**RESIDENTIAL
CEMENT CONCRETE ENTRANCE
PAVEMENT (MODIFIED)
(SEE NOTE 1)**



**COMMERCIAL
CEMENT CONCRETE ENTRANCE
PAVEMENT (MODIFIED)
(SEE NOTE 1)**

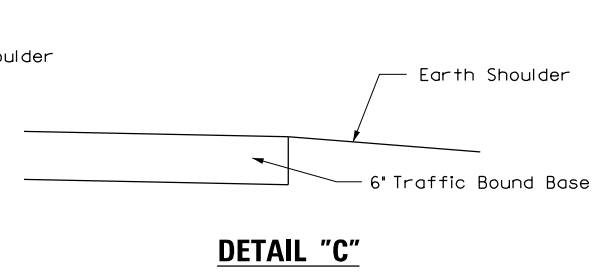
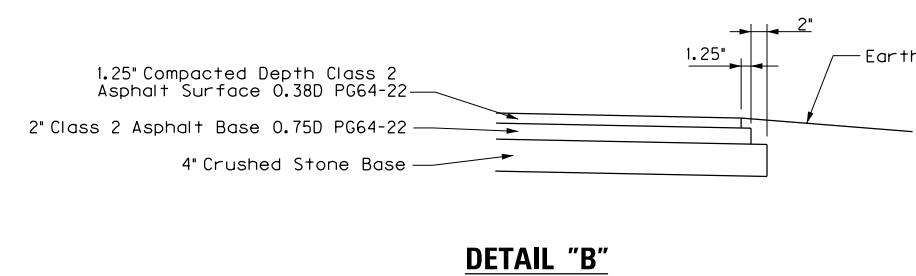
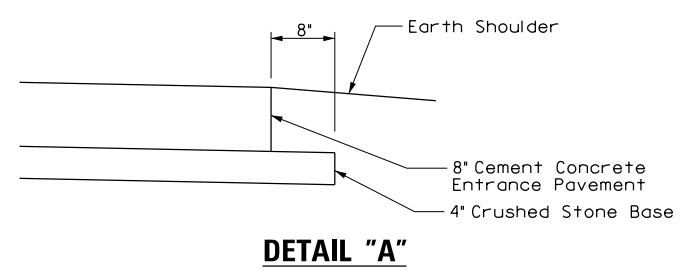
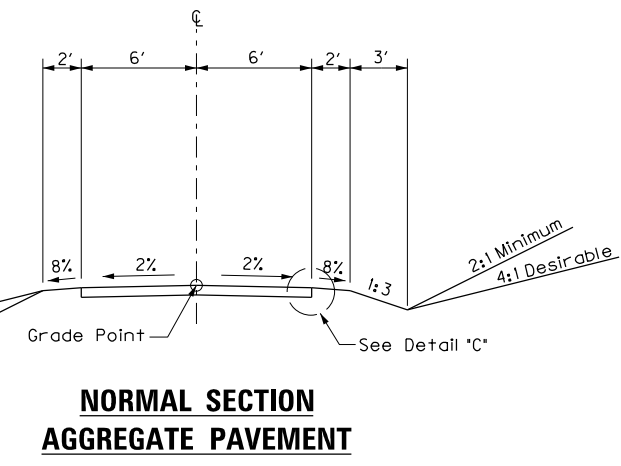
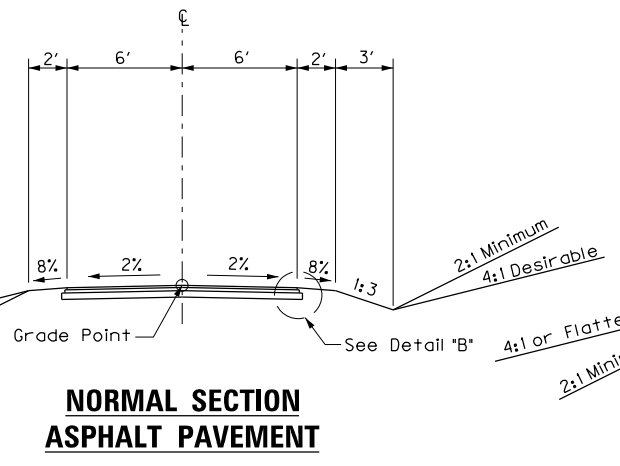
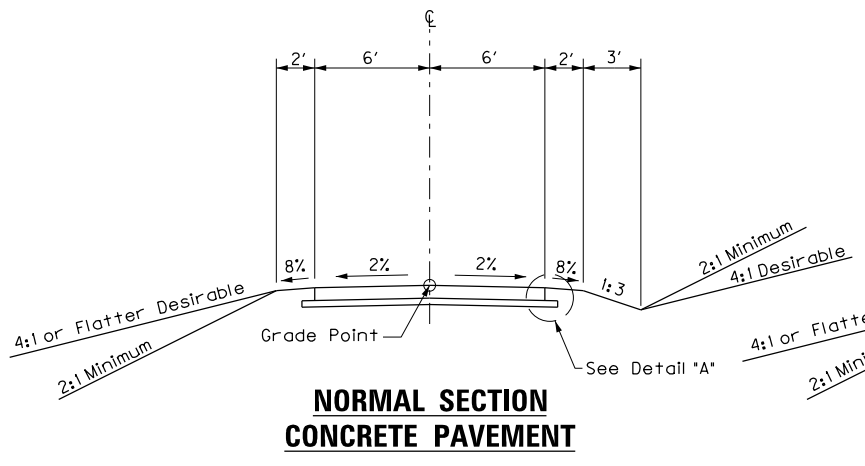
**PAVEMENT DESIGN
NEW CONSTRUCTION: ENTRANCES**

Concrete Entrances:
4" Compacted Depth Crushed Stone Base
8" Cement Concrete Entrance Pavement

Asphalt Entrances:
4" Crushed Stone Base (6" for Commercial Entrances)
2" Class 2 Asphalt Base 0.75D PG64-22
1.25" Compacted Depth Class 2 Asphalt Surface 0.38D PG64-22

Aggregate Entrances:
6" Traffic Bound Base

NOTES:
① Entrances shall be constructed to the geometric layout shown, contrary to Detail Sheet R72D. All notes shown on Detail Sheet R72D that are not related to the geometric layout shall apply.

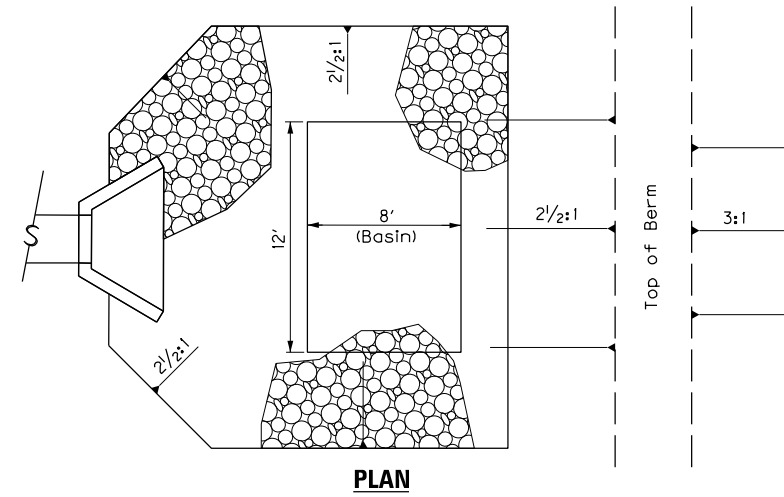


**RIGHT OF WAY
PLANS**

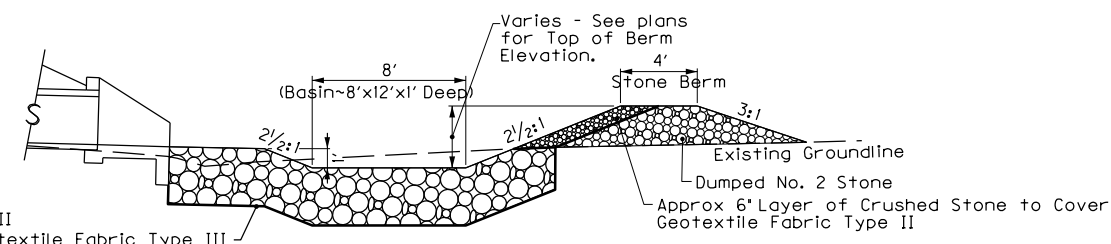
TYPICAL SECTIONS
ENTRANCES

FILE NAME: P:\PR52302\CADD\ROADWAY PLANS\ROAD20UTS.DGN
USER: harbour
DATE PLOTTED: February 20, 2015
E-SHEET NAME:
MicroStation v8.11.7.443

TYPICAL SECTIONS KARST PROTECTION DETAILS



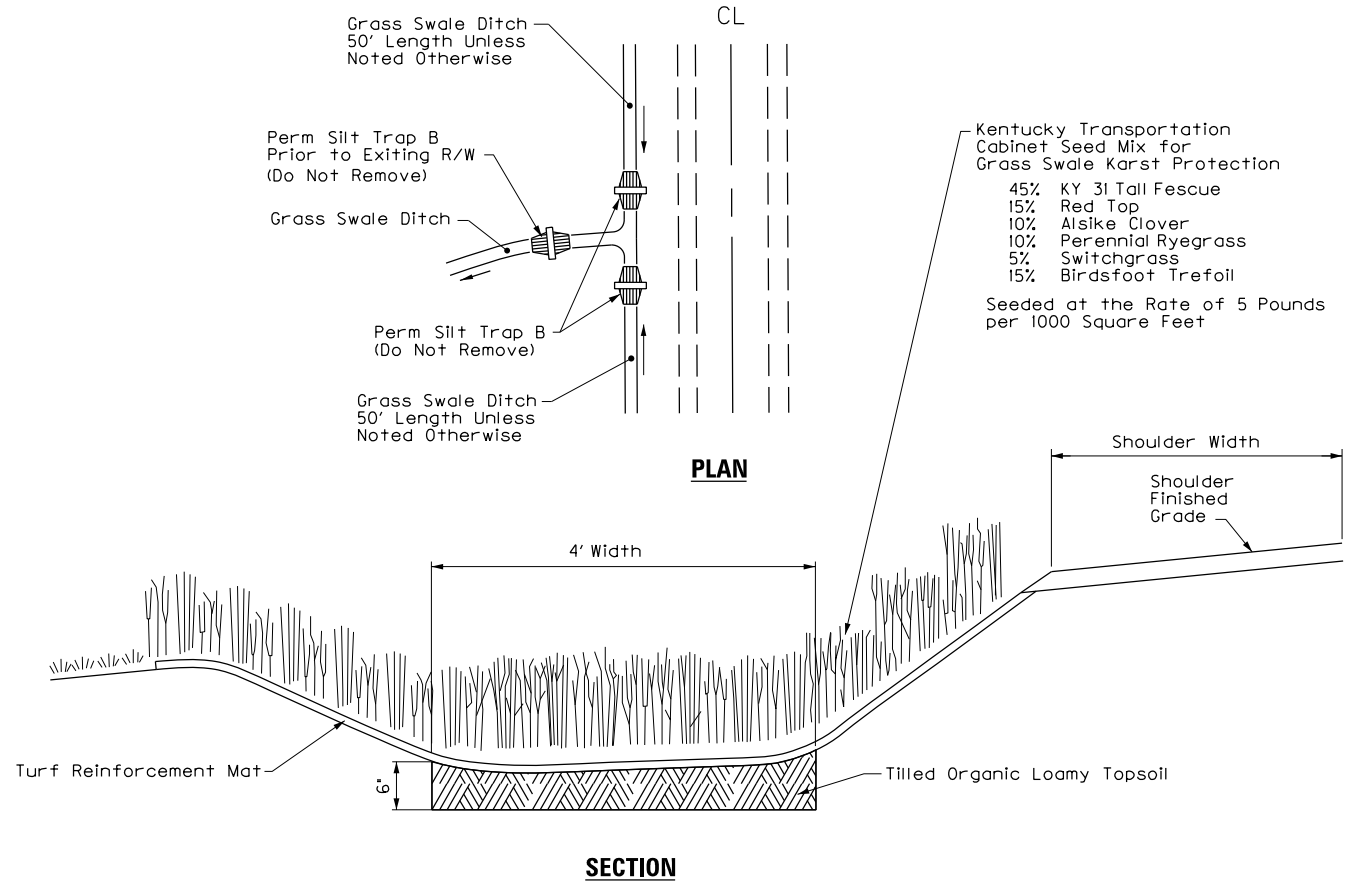
PLAN



SECTION

Basin and Stone Berm Detail

Basin and stone berms are included in the Project at the outlet ends of pipe located near existing karst features. Quantities for the channel lining, crushed stone, No 2 stone, and geotextile fabrics required to construct these basins and stone berms are included in the plans and shall be full compensation for construction of each basin and stone berm as detailed above and at the locations noted on the plans.



PLAN

SECTION

Grass Swale Detail

Grass Swales are included as an additional mitigation measure for flow from the project to sinkholes or other karst features. Grass Swales shall be constructed in locations as depicted in the plans. Payment shall be by the square yard and shall include excavation of the trench, furnishing and installing the tilled organic loamy topsoil, special seed mixture and labor necessary to complete the ditch as detailed. The Turf Reinforcement Mat is included in the normal ditch construction and quantities included in the plans. The Permanent Silt Trap Type B associated with the construction of these swale ditches shall be constructed in accordance with the requirements for Silt Trap Type B (RDX-225). Payment shall be "each" and shall include cleaning the trap prior to the completion of construction and any corrective work needed to restore the structure to its original condition.

Kentucky Transportation Cabinet Seed Mix for Grass Swale Karst Protection

- 45% KY 31 Tall Fescue
- 15% Red Top
- 10% Alsike Clover
- 10% Perennial Ryegrass
- 5% Switchgrass
- 15% Birdsfoot Trefoil

Seeded at the Rate of 5 Pounds per 1000 Square Feet

**RIGHT OF WAY
PLANS**

TYPICAL SECTIONS
KARST PROTECTION DETAILS

FILE NAME: P:\PR52302\CADD\ROADWAY PLANS\RO020KTS.DGN

USER: harbour DATE PLOTTED: February 20, 2015

E-SHEET NAME:

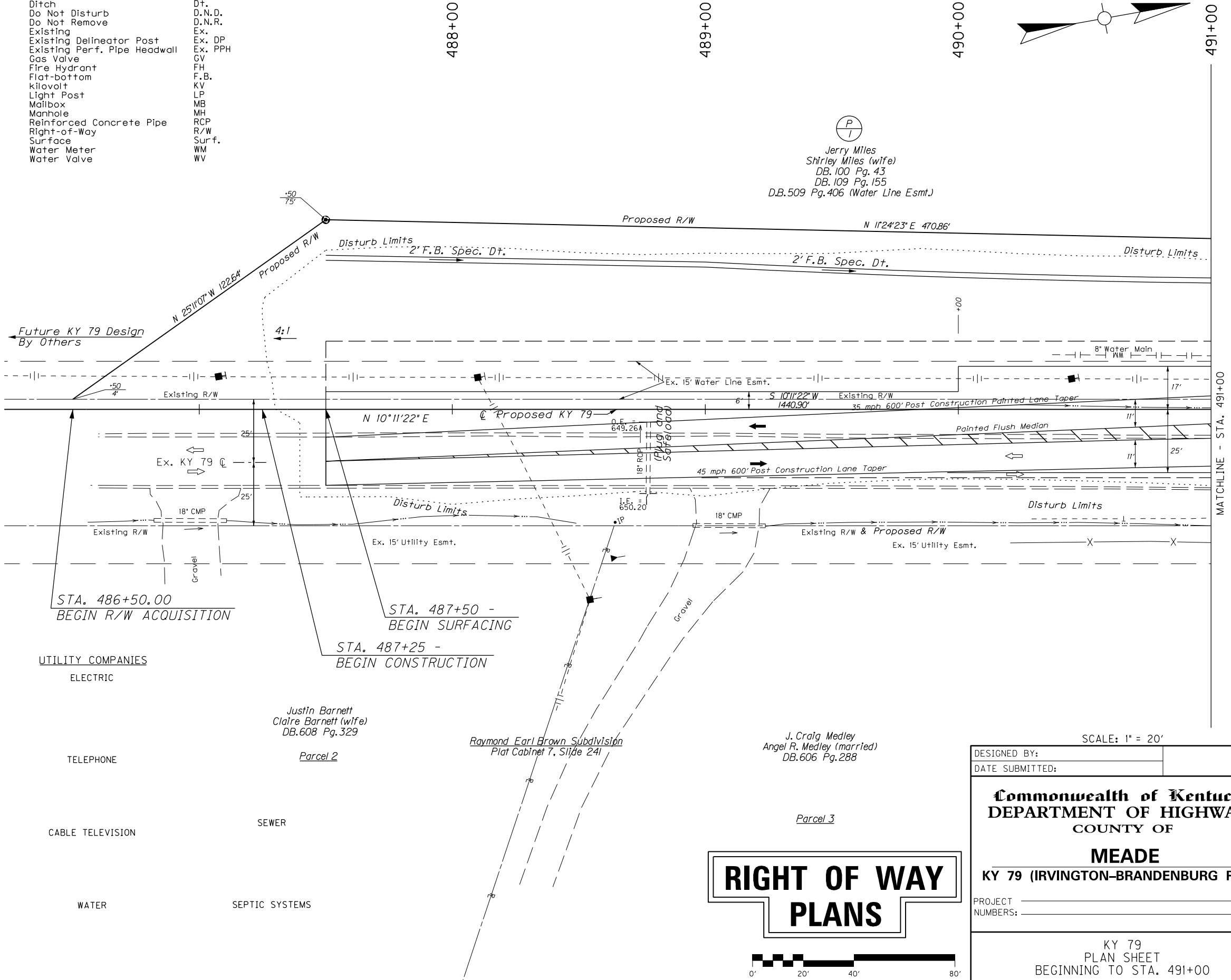
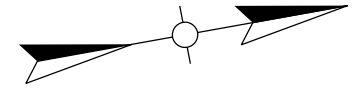
MicroStation v8.11.7.443

CONVENTIONAL SIGNS

SURVEY LINE	
GRADE LINE	
GROUND LINE	
COUNTY LINE	
CORPORATE LIMITS	
EXIST. PROPERTY LINE	
EXIST. RIGHT OF WAY & PROPERTY LINE	
PROPOSED RIGHT OF WAY	
RIGHT OF WAY MONUMENT	
BENCH MARK	
EXISTING R/W MARKER	
RIGHT OF WAY MONUMENT	
EXISTING/PROPOSED	
UTILITY TEST HOLE	
EXISTING ROAD	
RAILROAD	
FENCE (CONTROLLED ACCESS)	
FENCE (EXCEPT STONE AND HEDGE)	
TREE LINE	
TREES	
PIPE CULVERT	
CULVERT	
BRIDGE	
BUILDINGS	
GUARDRAIL	
LIGHTING POLE	
POWER POLE	
JOINT POWER & TELEPHONE POLE	
TELEPHONE & TELEGRAPH POLE	
ANCHOR, POWER OR TELEPHONE	
STUB POWER	
STUB TELEPHONE	
WATER MAIN	
GAS MAIN	
TELEPHONE DUCT	
ELECTRIC DUCT	
DIRECT BURIAL TV CABLE	
SANITARY SEWER (WITH MANHOLE)	
STORM SEWER (WITH MANHOLE)	
DIRECT BURIAL ELECTRIC CABLE	
DIRECT BURIAL TELEPHONE CABLE	
OVERHEAD WIRE	
TRAFFIC LIGHTS	
ELECTRIC MANHOLE	
TELEPHONE MANHOLE	
STONE FENCE	
HEDGE FENCE	
SWAMP OR MARSH	
SPRINGS	
SINKHOLE	
QUARRY SITE	
BLUE LINE STREAM	
INTERMITTENT STREAM OR DITCH	
LAKES OR PONDS	
REGULATED FLOODWAY	
NORTH POINT	

TABLE OF ABBREVIATIONS

Access Controlled	A/C
Baseline	B
Center Line	CL
Corrugated Metal Pipe	CMP
Ditch	Dt.
Do Not Disturb	D.N.D.
Do Not Remove	D.N.R.
Existing	Ex.
Existing Delineator Post	Ex. DP
Existing Perf. Pipe Headwall	Ex. PPH
Gas Valve	GV
Fire Hydrant	FH
Flat-bottom	F.B.
Kilovolt	KV
Light Post	LP
Mailbox	MB
Manhole	MH
Reinforced Concrete Pipe	RCP
Right-of-Way	R/W
Surface	Surf.
Water Meter	WM
Water Valve	WV



Jerry Miles

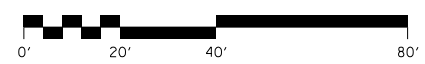
 Shirley Miles (wife)

 DB.100 Pg.43

 DB.109 Pg.155

 D.B.509 Pg.406 (Water Line Esmt.)

RIGHT OF WAY PLANS



SCALE: 1" = 20'

DESIGNED BY: _____

DATE SUBMITTED: _____

Commonwealth of Kentucky
DEPARTMENT OF HIGHWAYS
COUNTY OF

MEADE

KY 79 (IRVINGTON-BRANDENBURG ROAD)

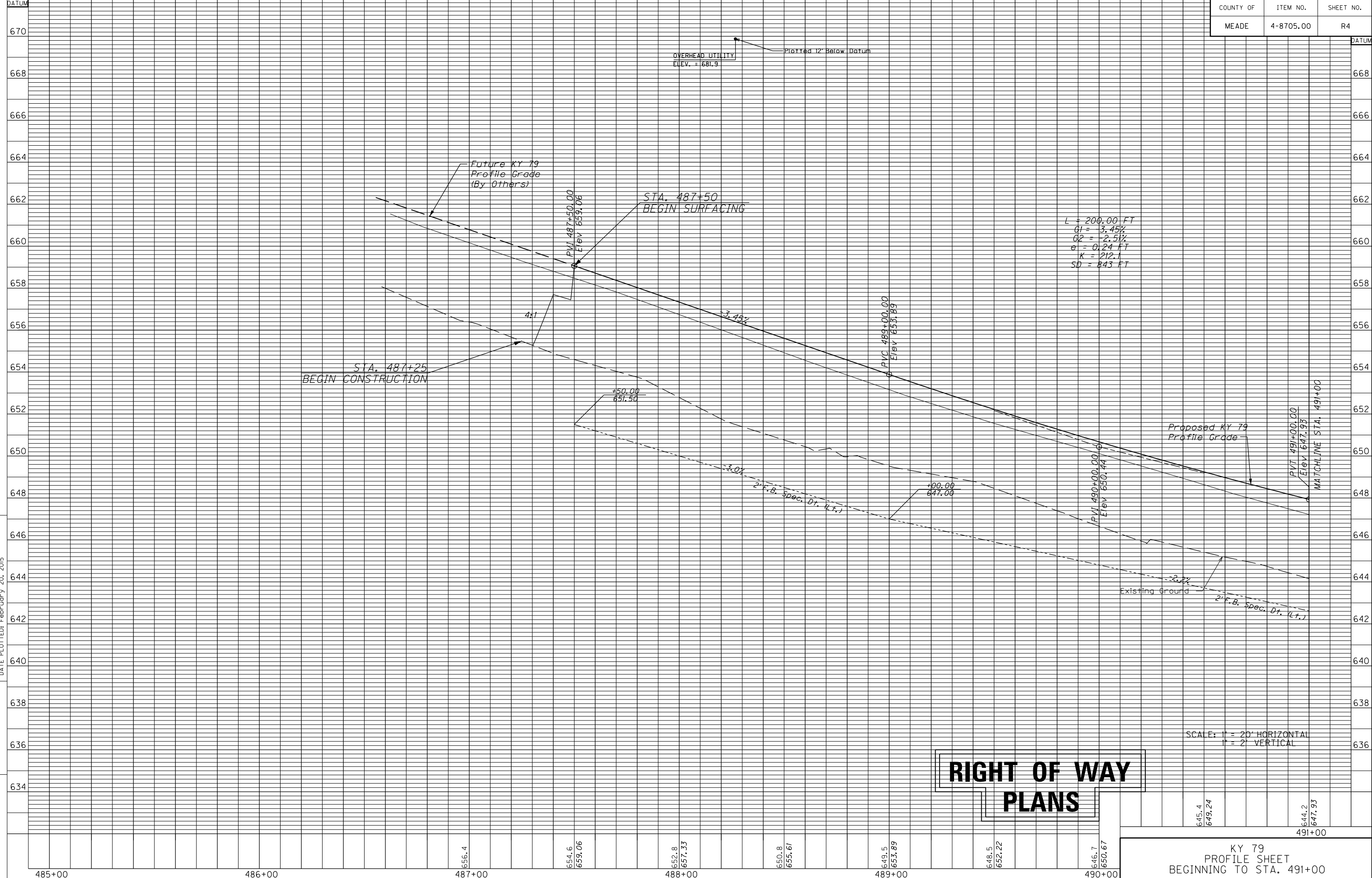
PROJECT NUMBERS: _____

KY 79
PLAN SHEET
BEGINNING TO STA. 491+00

FILE NAME: P:\PR52302\CADD\ROADWAY PLANS\RO0300PL.DGN
 USER: hordour
 DATE PLOTTED: February 20, 2015
 E-SHEET NAME:
 MicroStation v8.11.7.443

MATCHLINE - STA. 491+00

MicroStation v8.1i.9.459 E-SHEET NAME: USER: mrobison DATE PLOTTED: February 20, 2015 FILE NAME: P:\PR52302\CADD\ROADWAY PLANS\RO0400PF.DGN



**RIGHT OF WAY
PLANS**

SCALE: 1" = 20' HORIZONTAL
1" = 2' VERTICAL

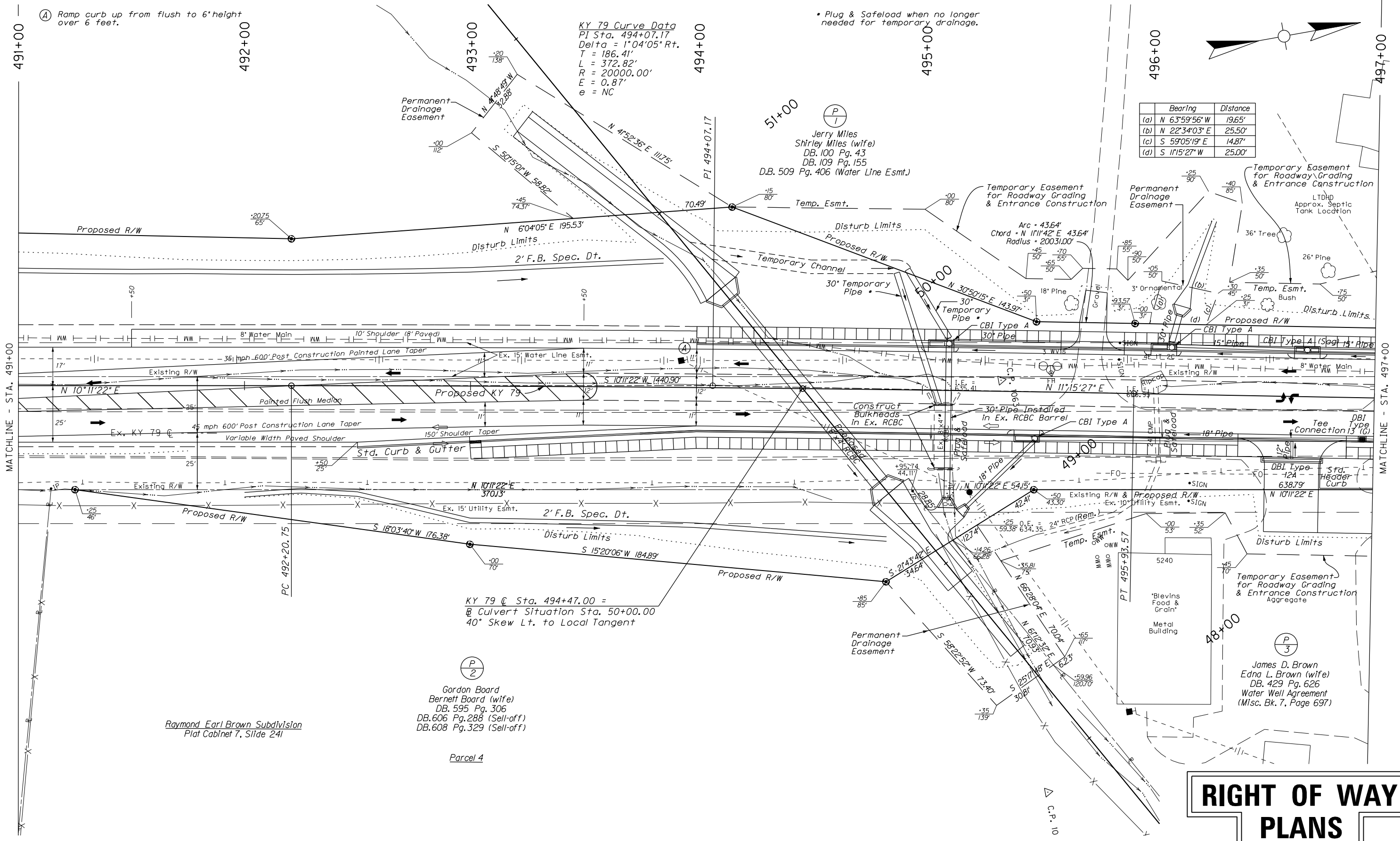
KY 79
PROFILE SHEET
BEGINNING TO STA. 491+00

485+00 486+00 487+00 488+00 489+00 490+00

645.4
649.24

644.2
647.93
491+00

FILE NAME: P:\R52302\CADD\ROADWAY PLANS\RD0500PL.DGN
 USER: mckee
 DATE PLOTTED: February 20, 2015
 E-SHEET NAME:
 MicroStation v8.11.9.459



Ⓐ Ramp curb up from flush to 6' height over 6 feet.

KY 79 Curve Data
 PI Sta. 494+07.17
 Delta = 1°04'05" Rt.
 T = 186.41'
 L = 372.82'
 R = 20000.00'
 E = 0.87'
 e = NC

• Plug & Safeload when no longer needed for temporary drainage.

Bearing	Distance
(a) N 63°59'56" W	19.65'
(b) N 22°34'03" E	25.50'
(c) S 59°05'19" E	14.87'
(d) S 11°15'27" W	25.00'

Ⓐ
 Jerry Miles
 Shirley Miles (wife)
 DB. 100 Pg. 43
 DB. 109 Pg. 155
 D.B. 509 Pg. 406 (Water Line Esmt.)

KY 79 C Sta. 494+47.00 =
 Culvert Situation Sta. 50+00.00
 40° Skew Lt. to Local Tangent

Ⓐ
 Gordon Board
 Bennett Board (wife)
 DB. 595 Pg. 306
 DB. 606 Pg. 288 (Sell-off)
 DB. 608 Pg. 329 (Sell-off)

Raymond Earl Brown Subdivision
 Plat Cabinet 7, Slide 241

Parcel 4

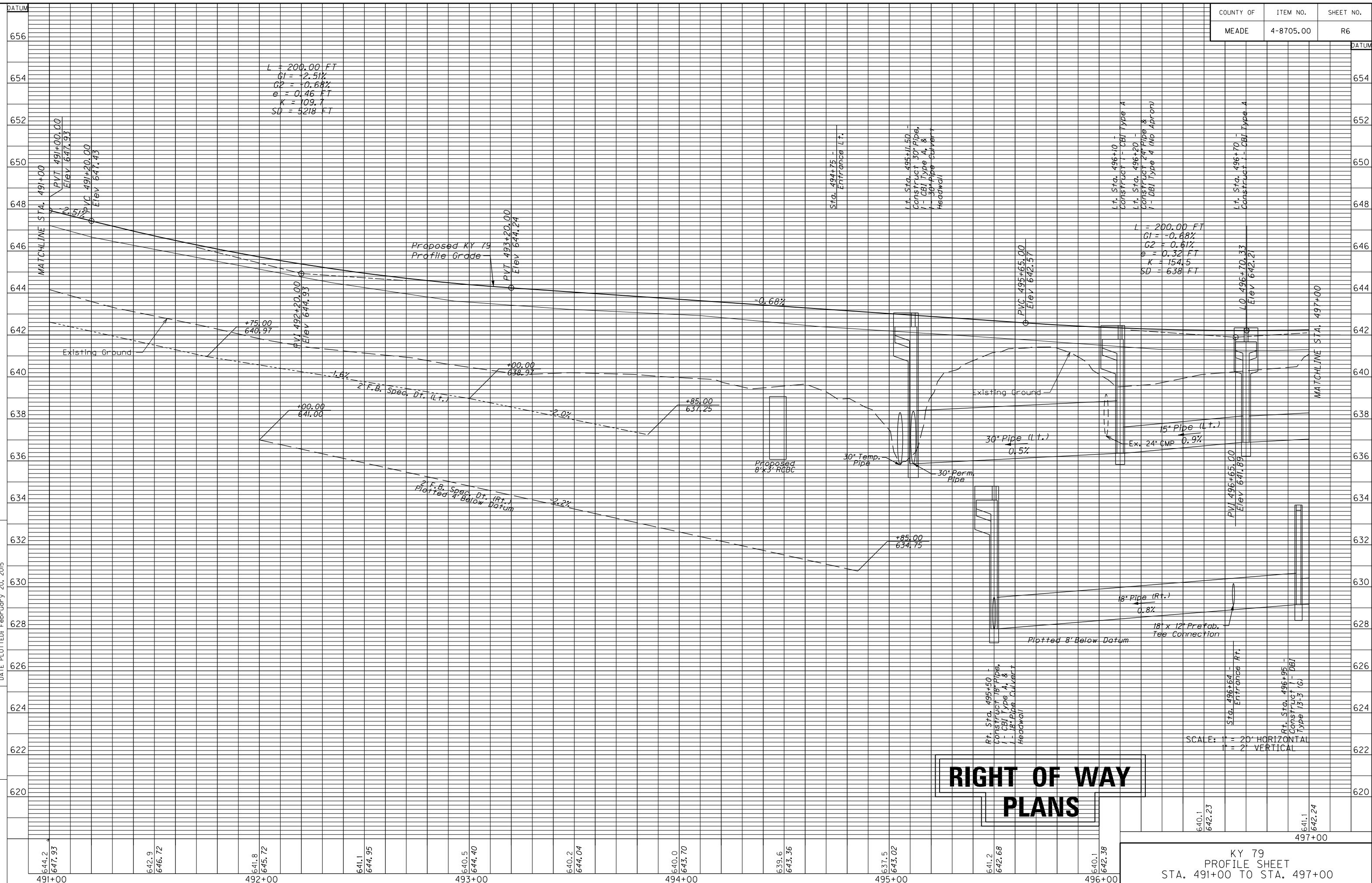
RIGHT OF WAY PLANS

KY 79
 PLAN SHEET
 STA. 491+00 TO STA. 497+00



MicroStation v8.11.9.459 E-SHEET NAME: FILE NAME: P:\PR52302\CADD\ROADWAY PLANS\RO0600PF.DGN
 USER: mcKeel DATE PLOTTED: February 20, 2015

COUNTY OF	ITEM NO.	SHEET NO.
MEADE	4-8705.00	R6

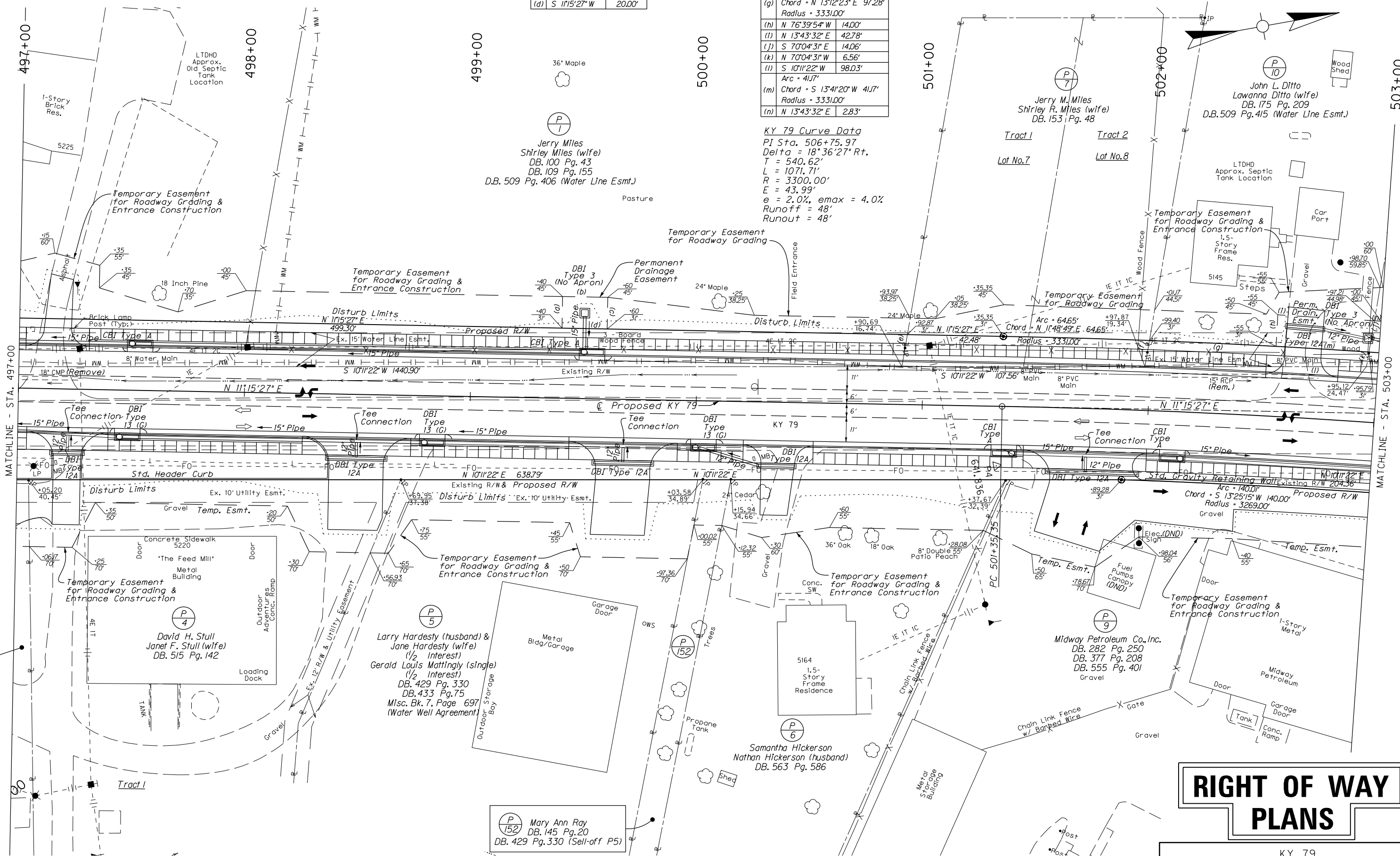


KY 79
 PROFILE SHEET
 STA. 491+00 TO STA. 497+00

Bearing	Distance
(a) N 78°44'33" W	14.00'
(b) N 1°15'27" E	20.00'
(c) S 78°44'33" E	14.00'
(d) S 1°15'27" W	20.00'

Bearing	Distance
(e) N 70°04'31" W	14.42'
(f) N 70°04'31" W	11.76'
(g) Arc - 97.29°	
Chord - N 13°12'23" E 97.28'	
Radius - 3331.00'	
(h) N 76°39'54" W	14.00'
(i) N 13°43'32" E	42.78'
(j) S 70°04'31" E	14.06'
(k) N 70°04'31" W	6.56'
(l) S 10°11'22" W	98.03'
Arc - 41.17°	
Chord - S 13°41'20" W 41.17'	
Radius - 3331.00'	
(m) N 13°43'32" E	2.83'

(P/8) Not Used



KY 79 Curve Data
 PI Sta. 506+75.97
 Delta = 18°36'27" Rt.
 T = 540.62'
 L = 1071.71'
 R = 3300.00'
 E = 43.99'
 e = 2.0%, emax = 4.0%
 Runoff = 48'

RIGHT OF WAY PLANS

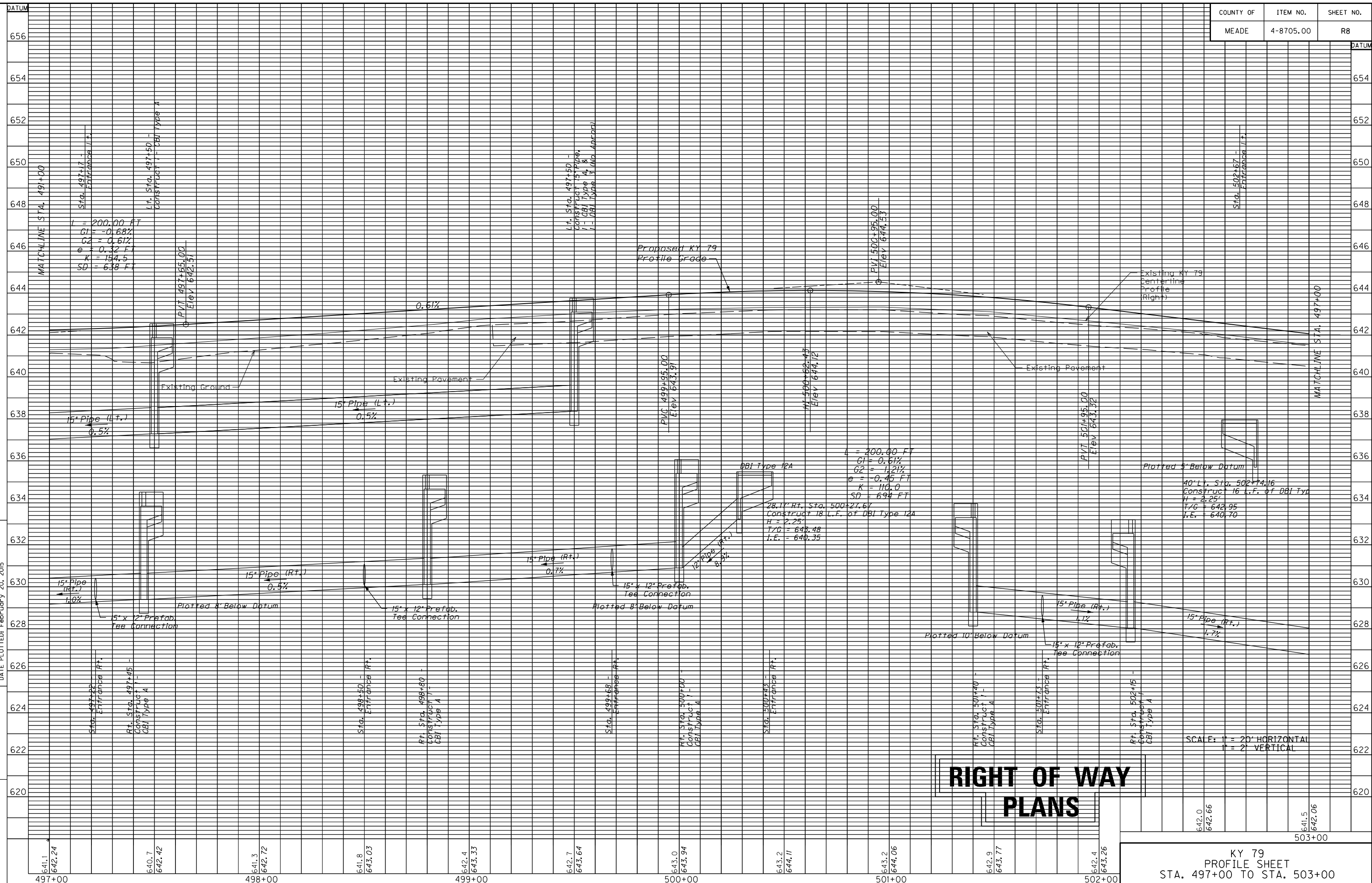
KY 79
 PLAN SHEET
 STA. 497+00 TO STA. 503+00

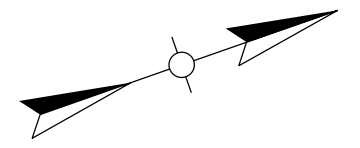


FILE NAME: P:\PR52302\CADD\ROADWAY PLANS\ROOT00PL.DGN
 USER: harbour
 DATE PLOTTED: February 20, 2015
 E-SHEET NAME:
 MicroStation v8.11.7.443

MicroStation v8.11.7.443 E-SHEET NAME: FILE NAME: P:\PRB2302\CADD\ROADWAY PLANS\ROO800PF.DGN USER: harbour DATE PLOTTED: February 20, 2015

COUNTY OF	ITEM NO.	SHEET NO.
MEADE	4-8705.00	R8





(A) Existing Storm Sewer Connection between the 18" RCP and the west side storm sewer is not visible. Remove segments that interfere with proposed storm sewer, and plug and safeload the Existing 18" RCP and inlet storm sewer system when no longer needed for temporary drainage.
(xx Cu. Yds. Safeloading & xx Plugs)

Bearing	Distance
(f) N 15°43'20" E	27.80'
(g) S 73°48'01" E	19.67'
(h) S 10°11'22" W	28.93'
(i) N 73°01'08" W	14.68'
(j) N 17°24'54" E	26.15'
(k) N 72°18'38" W	12.11'
(l) Chord - S 11°46'42" W 26.11'	Radius - 1025.00'

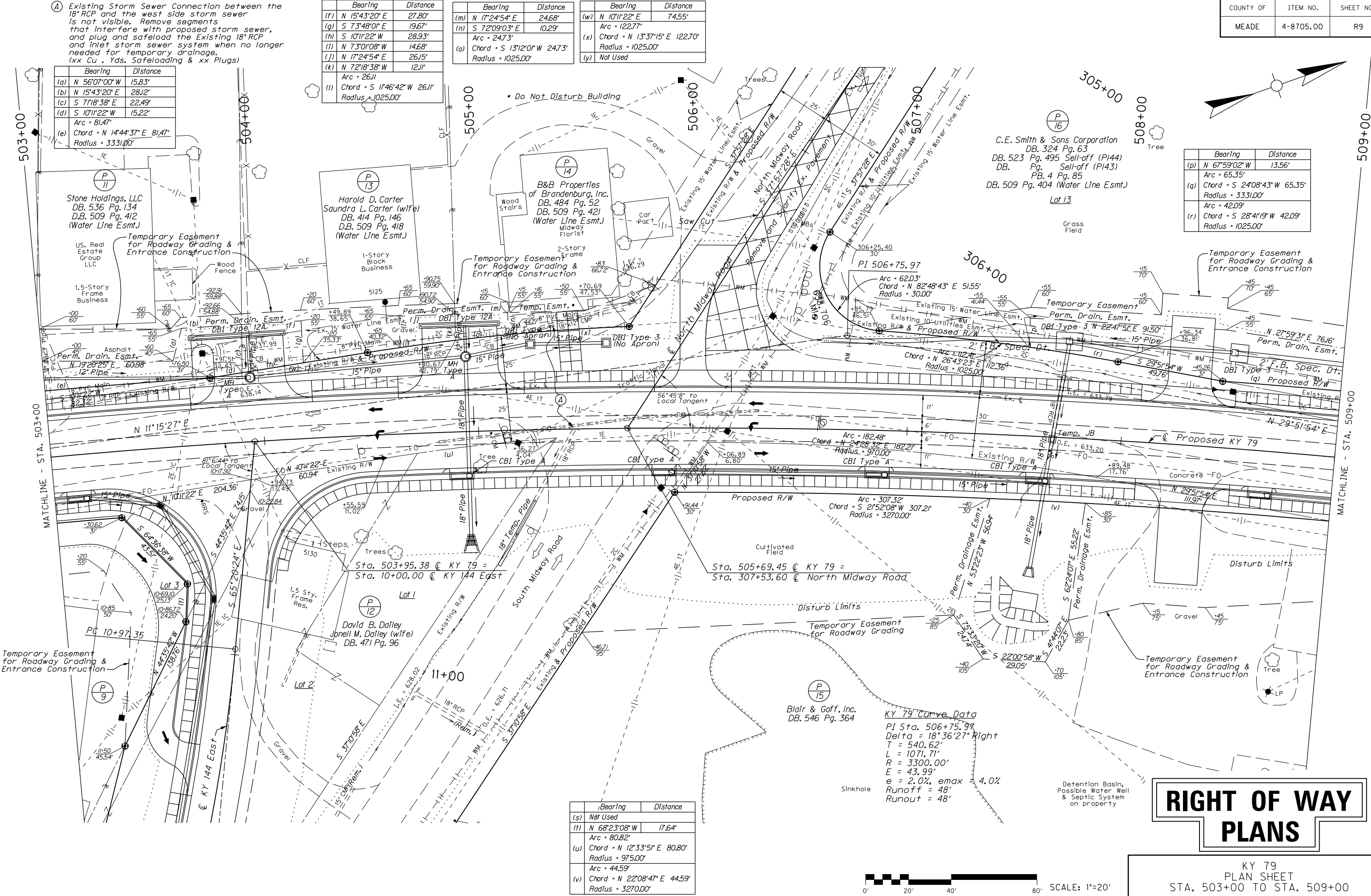
Bearing	Distance
(m) N 17°24'54" E	24.68'
(n) S 72°09'03" E	10.29'
(o) Arc - 24.73'	
(o) Chord - S 13°12'01" W 24.73'	Radius - 1025.00'

Bearing	Distance
(w) N 10°11'22" E	74.55'
(x) Arc - 122.77'	
(x) Chord - N 13°37'15" E 122.70'	Radius - 1025.00'
(y) Not Used	

Bearing	Distance
(a) N 56°07'00" W	15.83'
(b) N 15°43'20" E	28.12'
(c) S 71°18'38" E	22.49'
(d) S 10°11'22" W	15.22'
(e) Arc - 81.47'	
(e) Chord - N 14°44'37" E 81.47'	Radius - 3331.00'

Bearing	Distance
(p) N 67°59'02" W	13.56'
(q) Arc - 65.35'	
(q) Chord - S 24°08'43" W 65.35'	Radius - 3331.00'
(r) Arc - 42.09'	
(r) Chord - S 28°41'19" W 42.09'	Radius - 1025.00'

FILE NAME: P:\RPS2302\CADD\ROADWAY PLANS\ROAD900PL.DGN
 USER: harbour
 DATE PLOTTED: February 20, 2015
 E-SHEET NAME:
 MicroStation v8.11.7.443



KY 79 Curve Data
 PI Sta. 506+75.97
 Delta = 18°36'27" Right
 T = 540.62'
 L = 1071.71'
 R = 3300.00'
 e = 43.99'
 e = 2.0%, emax = 4.0%
 Runoff = 48'
 Runout = 48'

Bearing	Distance
(s) Not Used	
(t) N 68°23'08" W	17.64'
(u) Arc - 80.82'	
(u) Chord - N 12°33'51" E 80.80'	Radius - 975.00'
(v) Arc - 44.59'	
(v) Chord - N 22°08'47" E 44.59'	Radius - 3270.00'

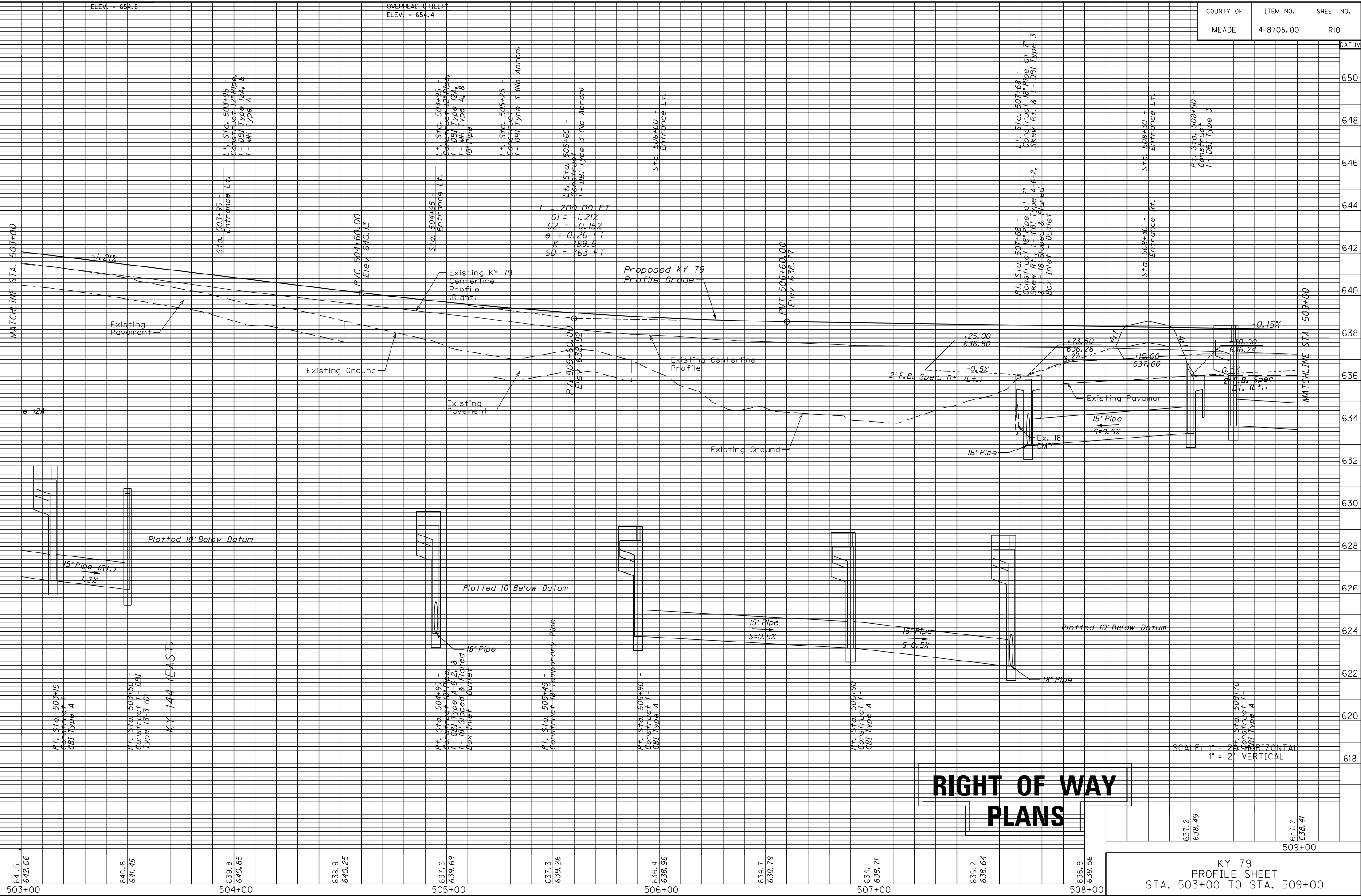


RIGHT OF WAY PLANS

KY 79
 PLAN SHEET
 STA. 503+00 TO STA. 509+00

DATUM	ELEV. = 654.8	OVERHEAD UTILITY ELEV. = 654.4
652		
650		
648		
646		
644		
642		
640		
638		
636		
634		
632		
630		
628		
626		
624		
622		
620		
618		

COUNTY OF	ITEM NO.	SHEET NO.
MEADE	4-8705.00	RIO

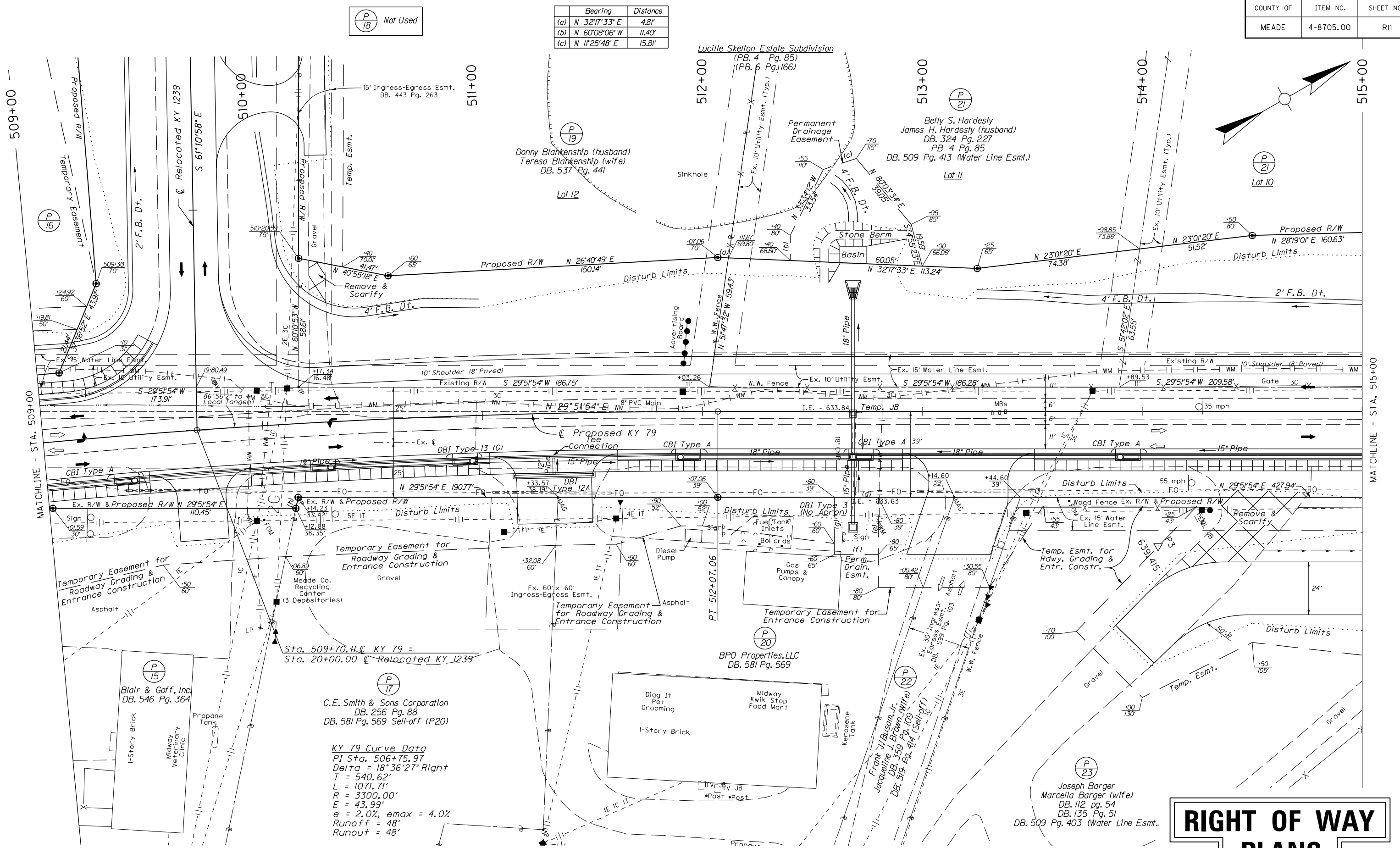


**RIGHT OF WAY
PLANS**

SCALE: 1" = 20' HORIZONTAL
1" = 2' VERTICAL

FILE NAME: P:\R23202\CADD\ROADWAY PLANS\ROI00PL.DGN
 USER: harbour
 DATE PLOTTED: February 20, 2015
 E-SHEET NAME:
 MicroStation v8.11.7.443

	Bearing	Distance
(a)	N 32°17'33" E	4.81'
(b)	N 60°08'06" W	11.40'
(c)	N 17°25'48" E	15.81'



(P 18) Not Used

(P 19)
 Donny Blakenship (husband)
 Teresa Blakenship (wife)
 DB. 537 Pg. 441
 Lot 12

(P 21)
 Betty S. Hardesty
 James H. Hardesty (husband)
 DB. 324 Pg. 227
 PB 4 Pg. 85
 DB. 509 Pg. 413 (Water Line Esmt.)
 Lot 11

(P 21)
 Lot 10

(P 20)
 BPO Properties, LLC
 DB. 581 Pg. 569

(P 22)
 Frank J. Basom, Jr.
 Jacquelline J. Basom (wife)
 DB. 359 Pg. 109
 DB. 519 Pg. 414 (Sell-off)

(P 23)
 Joseph Barger
 Marcella Barger (wife)
 DB. 112 pg. 54
 DB. 135 Pg. 51
 DB. 509 Pg. 403 (Water Line Esmt.)

(P 17)
 C.E. Smith & Sons Corporation
 DB. 256 Pg. 88
 DB. 581 Pg. 569 Sell-off (P20)

(P 15)
 Blair & Goff, Inc.
 DB. 546 Pg. 364

KY 79 Curve Data
 PI Sta. 506+75.97
 Delta = 18°36'27" Right
 T = 540.62'
 L = 1071.71'
 R = 3300.00'
 E = 43.99'
 e = 2.0%, emax = 4.0%
 Runoff = 48'
 Runout = 48'

	Bearing	Distance
(d)	N 29°51'54" E	20.00'
(e)	S 60°08'06" E	26.00'
(f)	S 29°51'54" W	20.00'
(g)	N 60°08'06" W	26.00'
(h)	N 48°19'45" W	511'



RIGHT OF WAY PLANS

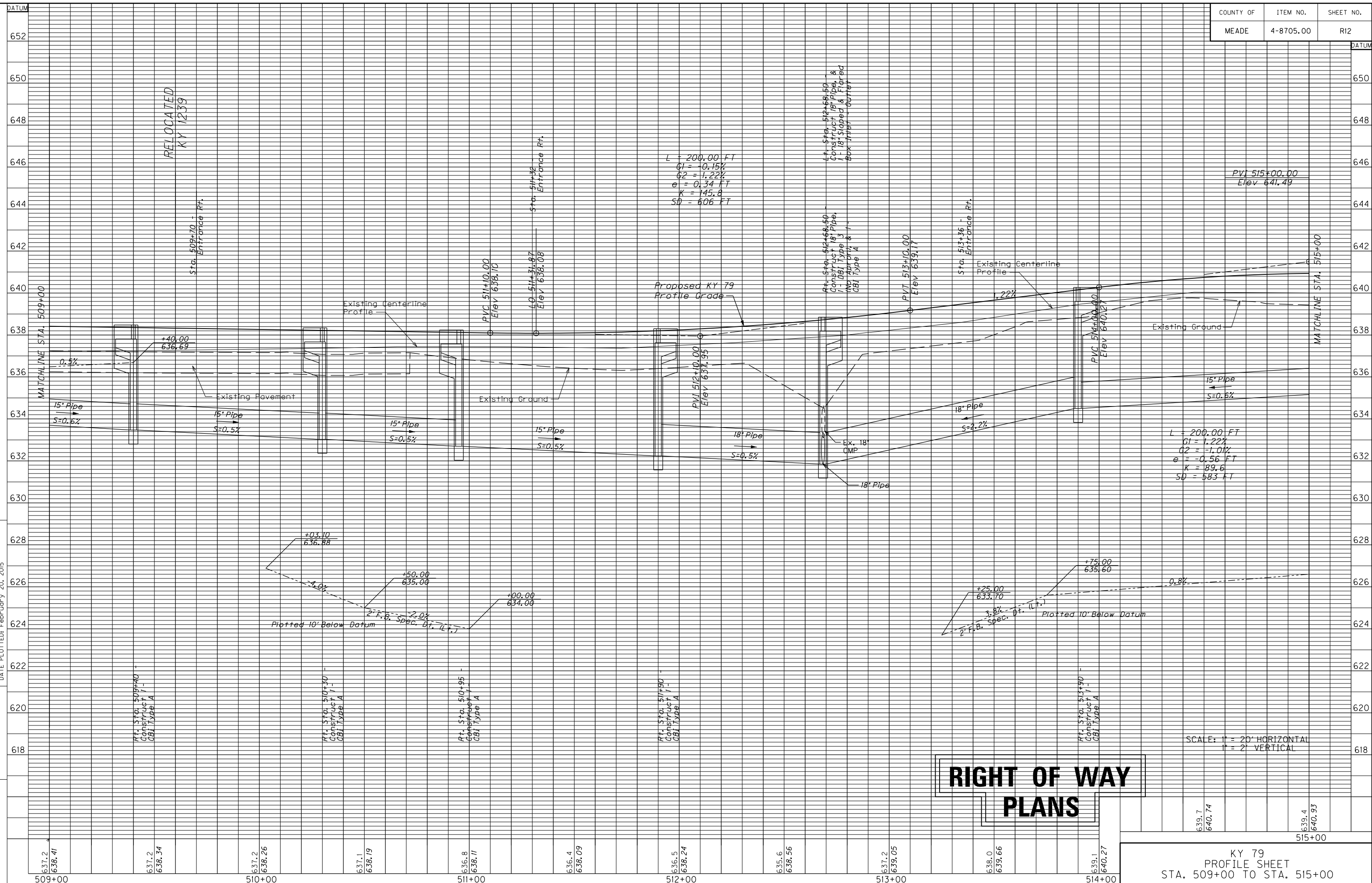
KY 79
 PLAN SHEET
 STA. 509+00 TO STA. 515+00

MATCHLINE - STA. 515+00

MATCHLINE - STA. 509+00

MicroStation v8.11.9.459 E-SHEET NAME: USER: mckee DATE PLOTTED: February 20, 2015 FILE NAME: P:\PR52302\CADD\ROADWAY PLANS\RO1200PF.DGN

COUNTY OF	ITEM NO.	SHEET NO.
MEADE	4-8705.00	R12



$L = 200.00 \text{ FT}$
 $G1 = -0.15\%$
 $G2 = 1.22\%$
 $e = 0.34 \text{ FT}$
 $K = 145.8$
 $SD = 606 \text{ FT}$

$L = 200.00 \text{ FT}$
 $G1 = 1.22\%$
 $G2 = -1.01\%$
 $e = -0.56 \text{ FT}$
 $K = 89.6$
 $SD = 583 \text{ FT}$

**RIGHT OF WAY
PLANS**

SCALE: 1" = 20' HORIZONTAL
1" = 2' VERTICAL

KY 79
PROFILE SHEET
STA. 509+00 TO STA. 515+00

637.2
638.41
509+00
637.2
638.34
510+00
637.1
638.19
511+00
636.8
638.11
512+00
635.6
638.56
637.2
639.05
513+00
638.0
639.66
514+00
639.1
640.27

639.7
640.74
639.4
640.33
515+00

	Bearing	Distance
(a)	S 51°15'08" E	74.23'
(b)	N 28°19'01" E	15.07'
(c)	N 51°15'08" W	74.64'
(d)	S 29°51'54" W	15.00'

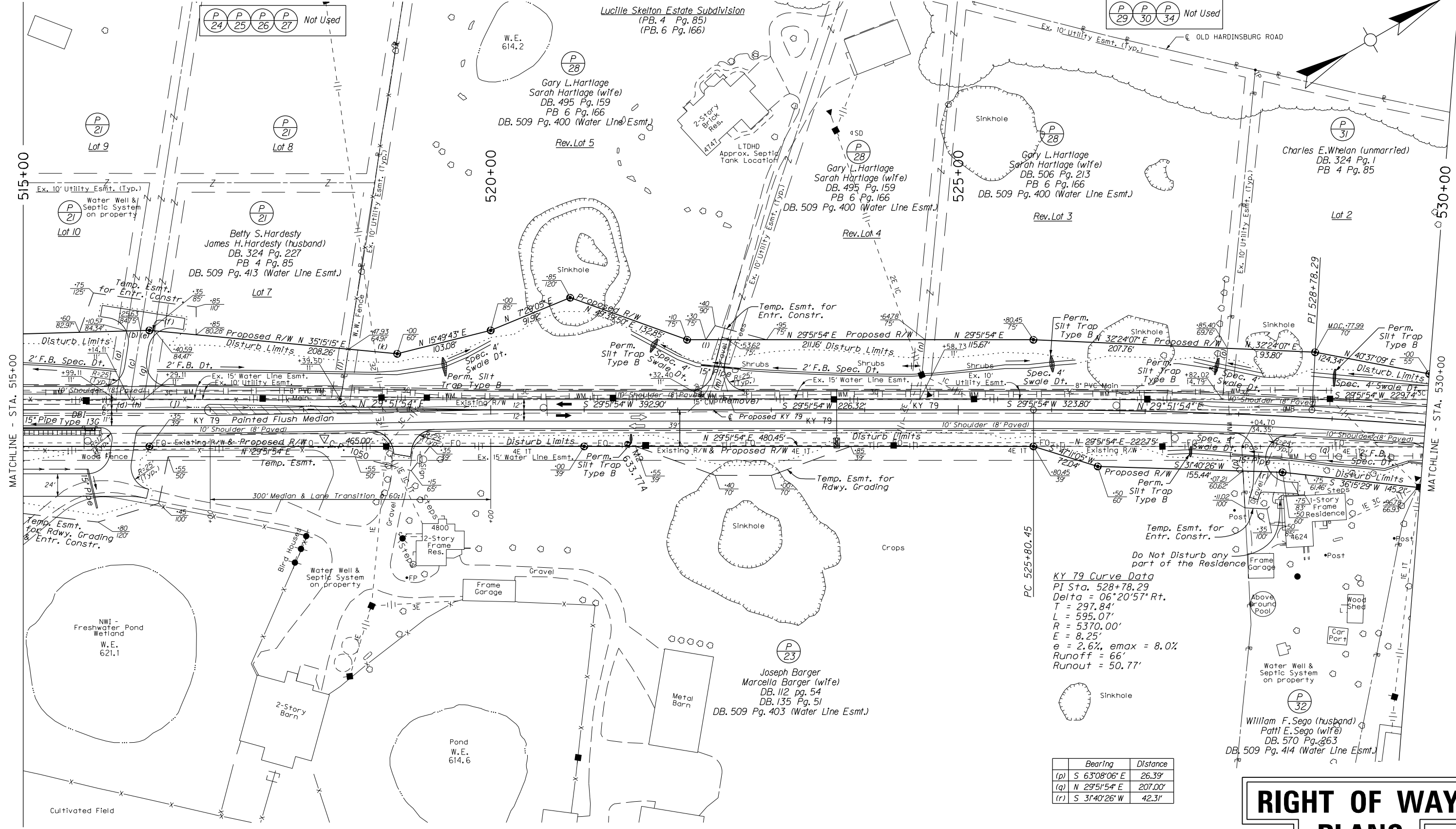
	Bearing	Distance
(e)	N 28°19'01" E	9.37'
(f)	N 35°15'15" E	5.61'
(g)	S 51°15'08" E	74.36'
(h)	S 29°51'54" W	15.00'

	Bearing	Distance
(i)	N 51°15'08" W	54.57'
(j)	S 29°51'54" W	210.39'
(k)	N 35°15'15" E	52.30'
(l)	N 29°51'54" E	43.62'

	Bearing	Distance
(m)	S 41°47'37" E	67.43'
(n)	N 54°43'52" W	64.29'
(o)	N 54°25'23" W	55.08'

(P 24) (P 25) (P 26) (P 27) Not Used

(P 29) (P 30) (P 34) Not Used



KY 79 Curve Data
 PI Sta. 528+78.29
 Delta = 06°20'57" Rt.
 T = 297.84'
 L = 595.07'
 R = 5370.00'
 e = 8.25'
 e = 2.6%, emax = 8.0%
 Runoff = 66"
 Runout = 50.77'

	Bearing	Distance
(p)	S 63°08'06" E	26.39'
(q)	N 29°51'54" E	207.00'
(r)	S 31°40'26" W	42.31'

RIGHT OF WAY PLANS

KY 79
 PLAN SHEET
 STA. 515+00 TO STA. 530+00

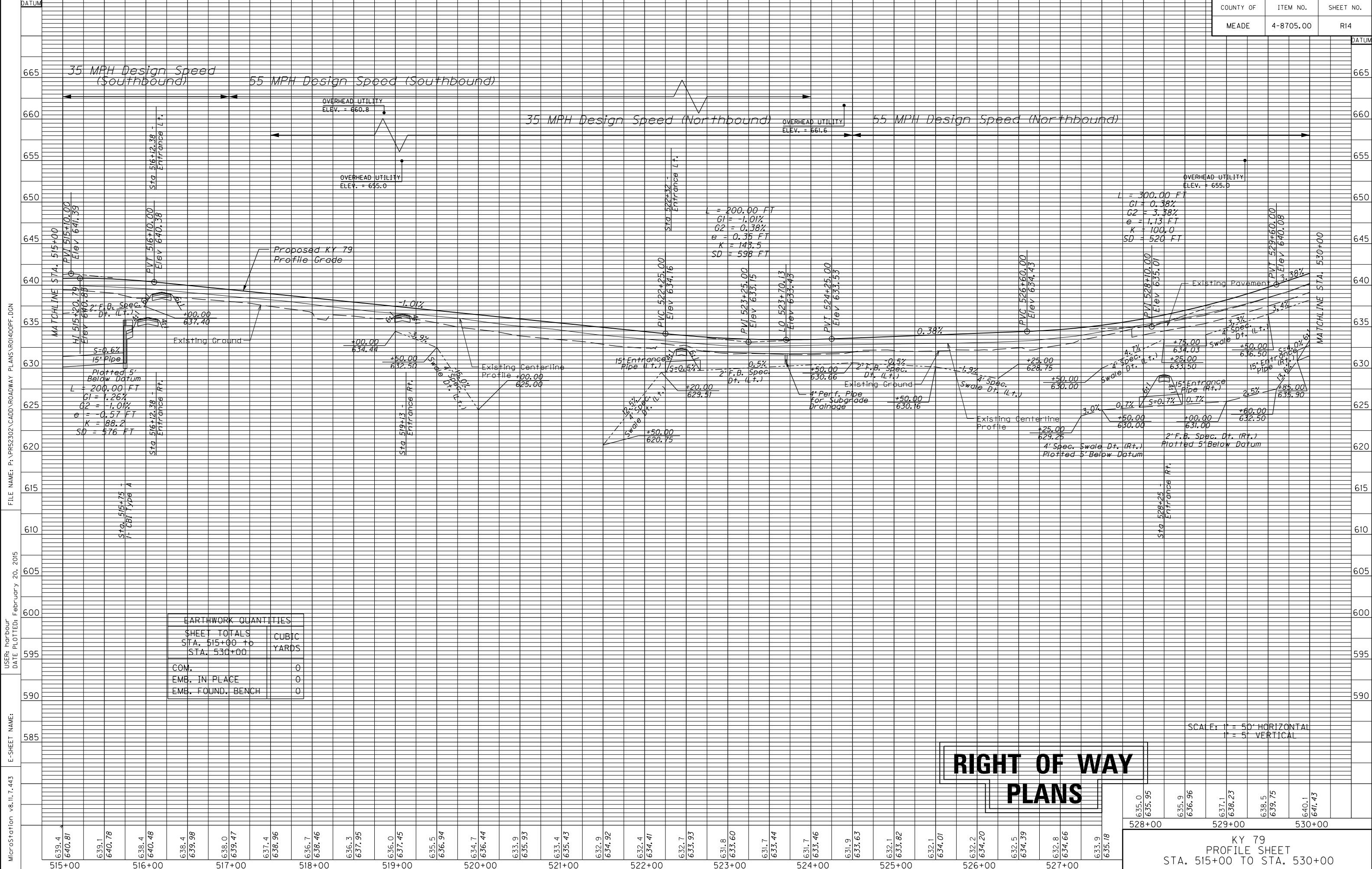


FILE NAME: P:\RIS2302\CADD\ROADWAY PLANS\ROI300PL.DGN

USER: harbour DATE PLOTTED: February 20, 2015

E-SHEET NAME:

MicroStation v8.11.7.443



EARTHWORK QUANTITIES	
SHEET TOTALS	CUBIC
STA. 515+00 TO	YARDS
STA. 530+00	
COM.	0
EMB. IN PLACE	0
EMB. FOUND. BENCH	0

**RIGHT OF WAY
PLANS**

SCALE: 1" = 50' HORIZONTAL
1" = 5' VERTICAL

635.0
635.95
635.9
636.96
637.1
638.23
638.5
639.75
640.1
641.43

528+00 529+00 530+00

KY 79
PROFILE SHEET
STA. 515+00 TO STA. 530+00

MicroStation v8.11.7.443 E-SHEET NAME: USER: harbour DATE PLOTTED: February 20, 2015 FILE NAME: P:\PR52302\CADD\ROADWAY PLANS\R01400PF.DGN

Bearing	Distance
(a) N 26°26'28" E	12.39'
(b) S 52°07'07" E	28.47'
(c) N 48°37'31" W	32.93'
(d) S 29°51'54" W	230.38'

Bearing	Distance
(e) N 30°22'46" E	58.76'
(f) N 39°12'04" E	53.18'
(g) N 48°24'02" W	23.61'
(h) S 29°51'54" W	113.00'

Bearing	Distance
(i) N 39°12'04" E	147.09'
Arc = 56.26'	
Chord = S 30°37'24" W 56.26'	
Radius = 2125.00'	
(k) S 29°51'54" W	93.69'

Bearing	Distance
Arc = 237.25'	
Chord = N 34°34'49" E 237.13'	
Radius = 2125.00'	

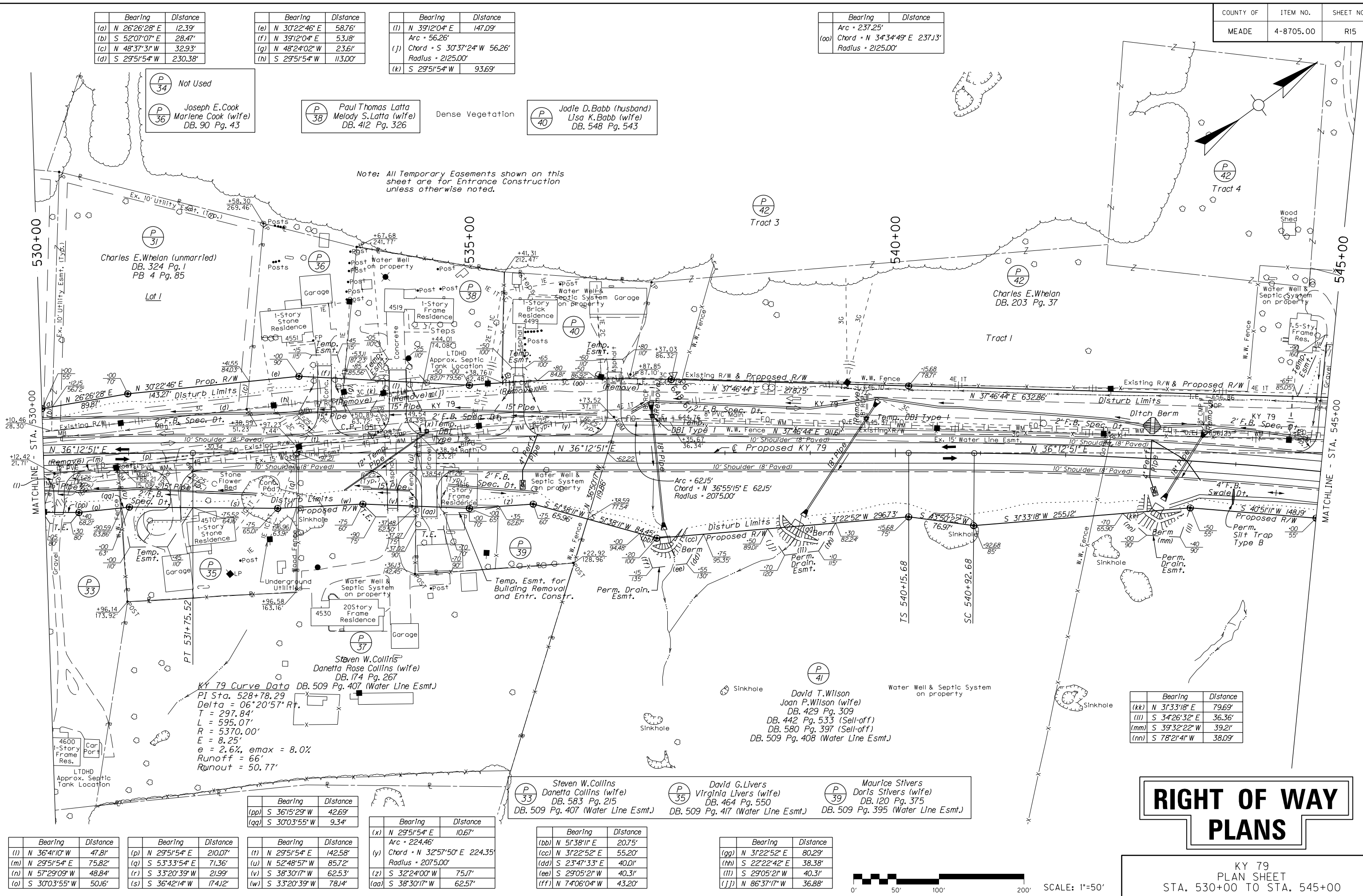
(P 34) Not Used
(P 36) Joseph E. Cook
Marlene Cook (wife)
DB. 90 Pg. 43

(P 38) Paul Thomas Latta
Melody S. Latta (wife)
DB. 412 Pg. 326

(P 40) Jodie D. Babb (husband)
Lisa K. Babb (wife)
DB. 548 Pg. 543

Note: All Temporary Easements shown on this sheet are for Entrance Construction unless otherwise noted.

FILE NAME: P:\FRS2302\CADD\ROADWAY PLANS\ROI500PL.DGN
 USER: harbour
 DATE PLOTTED: February 20, 2015
 E-SHEET NAME:
 MicroStation v8.11.7.443



(P 31) Charles E. Whelan (unmarried)
DB. 324 Pg. 1
PB 4 Pg. 85

(P 33)

Steven W. Collins
Danelita Rose Collins (wife)
DB. 174 Pg. 267

KY 79 Curve Data DB. 509 Pg. 407 (Water Line Esmt.)
 PI Sta. 528+78.29
 Delta = 06°20'57" R.
 T = 297.84'
 L = 595.07'
 R = 5370.00'
 e = 8.25'
 e = 2.6%, emax = 8.0%
 Runoff = 66'
 Runout = 50.77'

Bearing	Distance
(pp) S 36°15'29" W	42.69'
(qq) S 30°03'55" W	9.34'

Bearing	Distance
(x) N 29°51'54" E	10.67'
Arc = 224.46'	
Chord = N 32°57'50" E 224.35'	
Radius = 2075.00'	
(y) S 38°30'17" W	75.17'
(z) S 32°24'00" W	62.57'

(P 33) Steven W. Collins
Danelita Collins (wife)
DB. 583 Pg. 215
DB. 509 Pg. 407 (Water Line Esmt.)

(P 35) David G. Livers
Virginia Livers (wife)
DB. 464 Pg. 550
DB. 509 Pg. 417 (Water Line Esmt.)

(P 39) Maurice Stivers
Doris Stivers (wife)
DB. 120 Pg. 375
DB. 509 Pg. 395 (Water Line Esmt.)

Bearing	Distance
(bb) N 51°38'11" E	20.75'
(cc) N 31°22'52" E	55.20'
(dd) S 23°47'33" E	40.01'
(ee) S 29°05'21" W	40.31'
(ff) N 74°06'04" W	43.20'

Bearing	Distance
(gg) N 31°22'52" E	80.29'
(hh) S 22°22'42" E	38.38'
(ii) S 29°05'21" W	40.31'
(jj) N 86°37'17" W	36.88'

Bearing	Distance
(kk) N 31°33'18" E	79.69'
(ll) S 34°26'32" E	36.36'
(mm) S 39°32'22" W	39.21'
(nn) S 78°21'41" W	38.09'

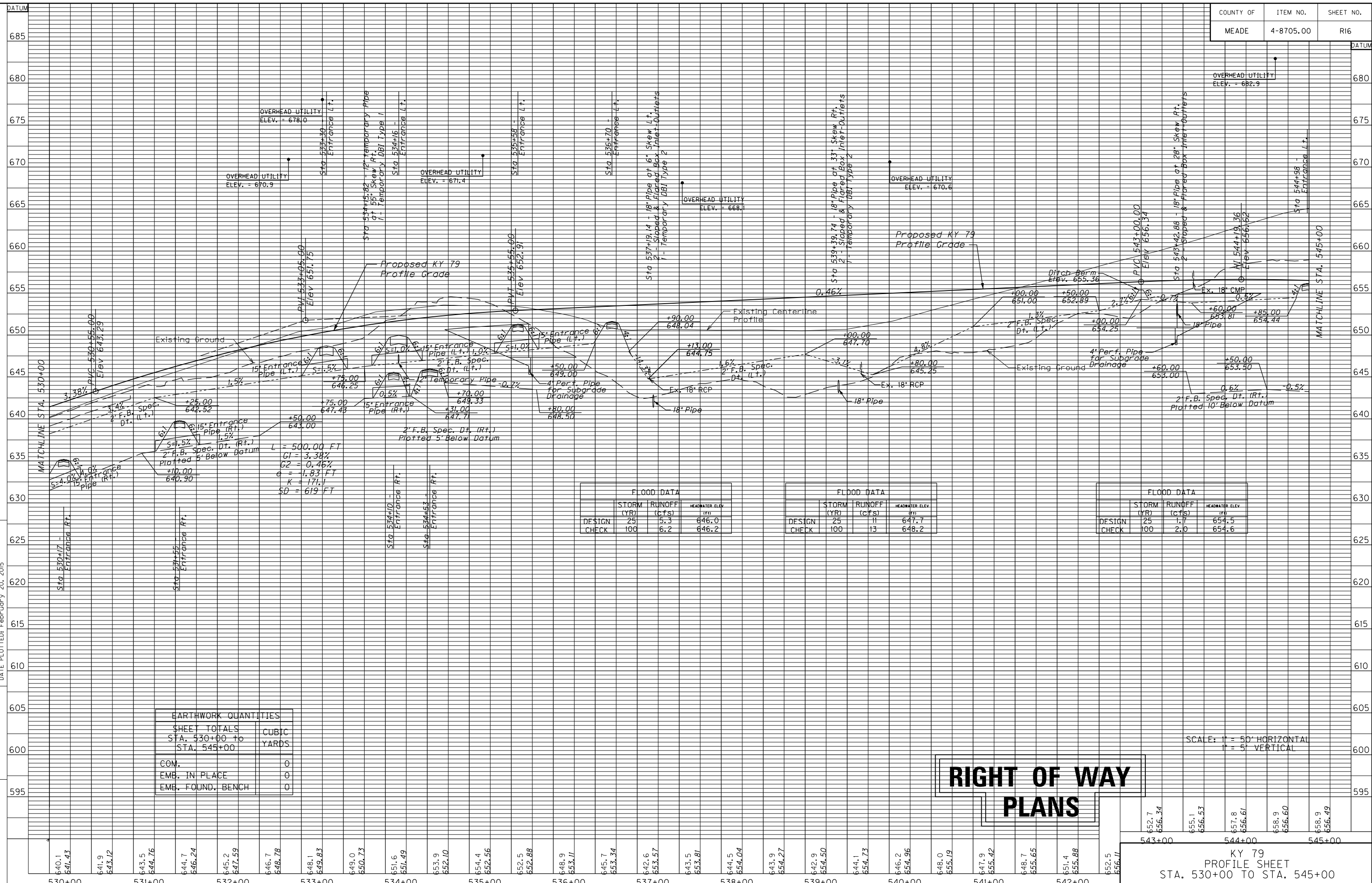
RIGHT OF WAY PLANS

KY 79
PLAN SHEET
STA. 530+00 TO STA. 545+00



MicroStation v8.11.7.443 E-SHEET NAME: USER: harbour DATE PLOTTED: February 20, 2015 FILE NAME: P:\PR2302\CADD\ROADWAY PLANS\RO1600PF.DGN

COUNTY OF	ITEM NO.	SHEET NO.
MEADE	4-8705.00	R16



$L = 500.00 \text{ FT}$
 $G1 = 3.38\%$
 $G2 = 0.46\%$
 $\theta = 1.83 \text{ FT}$
 $K = 171.1$
 $SD = 619 \text{ FT}$

FLOOD DATA		
DESIGN	STORM (YR)	RUNOFF (cfs)
CHECK	25	5.3
DESIGN	100	6.2

FLOOD DATA		
DESIGN	STORM (YR)	RUNOFF (cfs)
CHECK	25	11
DESIGN	100	13

FLOOD DATA		
DESIGN	STORM (YR)	RUNOFF (cfs)
CHECK	25	1.7
DESIGN	100	2.0

EARTHWORK QUANTITIES	
SHEET TOTALS	CUBIC YARDS
STA. 530+00 to STA. 545+00	
COM.	0
EMB. IN PLACE	0
EMB. FOUND. BENCH	0

RIGHT OF WAY PLANS

SCALE: 1" = 50' HORIZONTAL
1" = 5' VERTICAL

KY 79
PROFILE SHEET
STA. 530+00 TO STA. 545+00

543+00	544+00	545+00
652.7 656.34	655.1 656.53	657.8 656.61
	658.9 656.60	658.9 656.49

(P 43) Not Used

Bearing	Distance
(a) N 14°37'26" W	67.82'
(b) S 39°17'46" E	61.62'
Arc = 28.31'	
(c) Chord = S 50°40'44" W 28.31'	Radius = 985.00'

Bearing	Distance
(z) Arc = 207.61'	
Chord = N 43°49'02" E 207.23'	
Radius = 985.00'	
Arc = 7.95'	
(aa) Chord = N 53°28'46" E 7.95'	Radius = 985.00'

(P 49) Not Used

Bearing	Distance
(d) S 79°10'47" E	109.22'
(e) S 34°17'21" E	23.60'
(f) S 53°42'39" W	65.80'

Bearing	Distance
(g) S 79°10'47" E	3.75'
(h) N 58°37'03" E	243.64'
(i) S 53°42'39" W	246.12'

Bearing	Distance
(bb) S 40°32'50" E	186.83'
(cc) S 53°42'39" W	37.36'

FILE NAME: P:\P182302\CADD\ROADWAY PLANS\ROI700PL.DGN
 USER: harbour
 DATE PLOTTED: February 20, 2015
 E-SHEET NAME:
 MicroStation v8.11.7.443

Bearing	Distance
(j) Arc = 66.57'	
Chord = N 39°49'06" E 66.55'	
Radius = 935.00'	
Arc = 193.42'	
(k) Chord = N 47°47'04" E 193.08'	Radius = 935.00'
(l) N 53°42'39" E	11.35'
(m) S 46°10'12" W	81.70'
(n) S 54°14'22" W	98.50'

(P 44) John Albert Haynes (single)
 DB. 560 Pg. 139
 DB. 580 Pg. 397
 DB. 509 Pg. 419 (Water Line Esmt.)

(P 45) Not Used

Bearing	Distance
(o) N 53°42'39" E	351.01'
(p) S 37°26'30" E	367.08'
(q) S 46°10'12" W	15.90'

Bearing	Distance
(r) N 75°45'25" E	38.08'
(s) S 37°26'30" E	35.00'
(t) S 170°14' W	43.01'
(u) N 37°26'30" W	75.00'
(v) N 57°27'28" E	120.15'
(w) S 29°08'28" W	44.31'
(x) S 54°37'39" W	60.00'
(y) N 74°01'56" W	32.02'
(dd) N 37°26'30" W	366.47'

(P 50) Edward Lawrence Hardesty
 Alice Jane Hardesty (wife)
 DB. 174 Pg. 135
 DB. 378 Pg. 36 (Oil & Gas Lease)

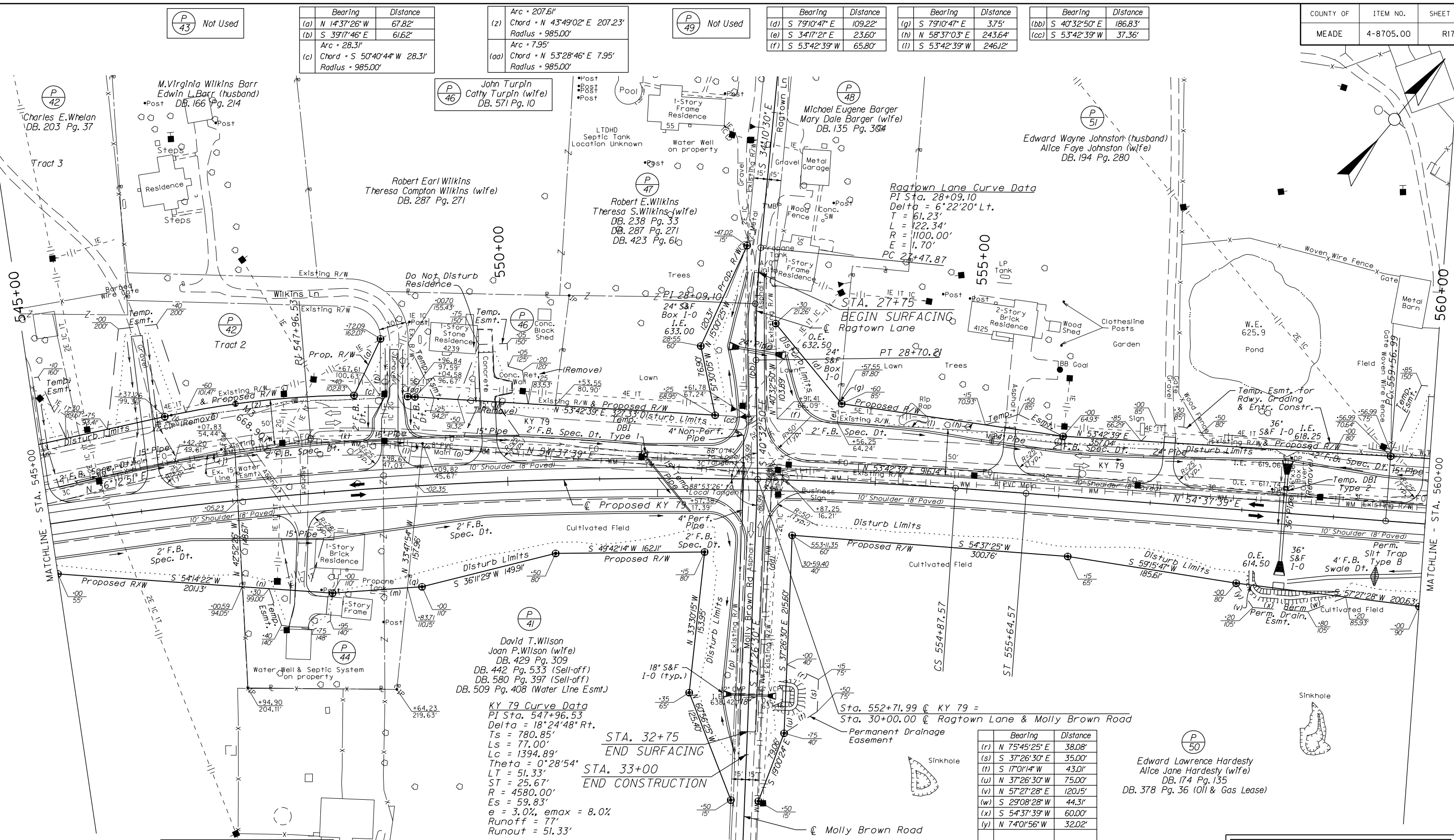
Note: All Temporary Easements shown on this sheet are for Entrance Construction unless otherwise noted.



RIGHT OF WAY PLANS

KY 79 PLAN

STA. 545+00 TO STA. 560+00

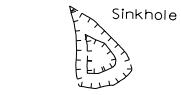


STA. 32+75
 END SURFACING
 STA. 33+00
 END CONSTRUCTION

Sta. 552+71.99 @ KY 79 =
 Sta. 30+00.00 @ Ragtown Lane & Molly Brown Road

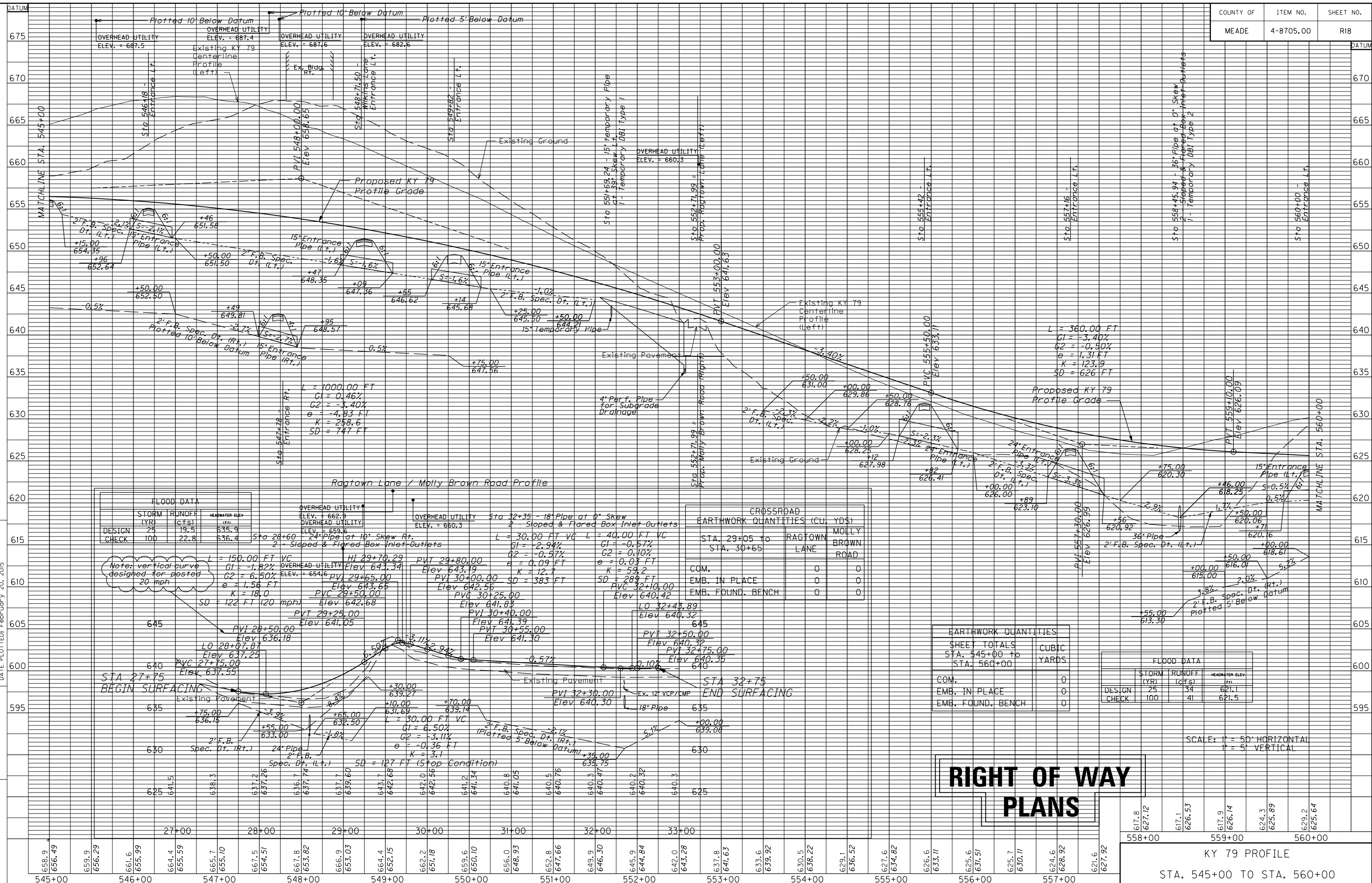
David T. Wilson
 Joan P. Wilson (wife)
 DB. 429 Pg. 309
 DB. 442 Pg. 533 (Sell-off)
 DB. 580 Pg. 397 (Sell-off)
 DB. 509 Pg. 408 (Water Line Esmt.)

KY 79 Curve Data
 PI Sta. 547+96.53
 Delta = 18°24'48" Rt.
 Ts = 780.85'
 Ls = 77.00'
 Lc = 1394.89'
 Theta = 0°28'54"
 LT = 51.33'
 ST = 25.67'
 R = 4580.00'
 Es = 59.83'
 e = 3.0%, emax = 8.0%
 Runoff = 77'
 Runout = 51.33'



MicroStation v8.11.9.459 E-SHEET NAME: FILE NAME: P:\PR52302\CADD\ROADWAY PLANS\ROBPOFF.DGN USER: mckee DATE PLOTTED: February 20, 2015

COUNTY OF	ITEM NO.	SHEET NO.
MEADE	4-8705.00	R18



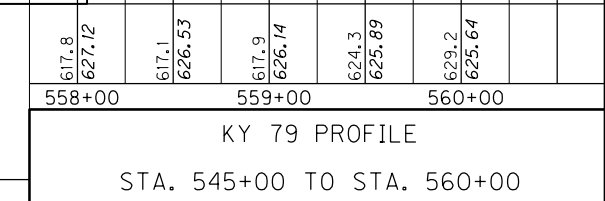
FLOOD DATA		
STORM (YR)	RUNOFF (CFS)	HEADWATER ELEV (FT)
DESIGN	25	19.5
CHECK	100	22.8

CROSSROAD EARTHWORK QUANTITIES (CU. YDS)		
STA. 29+05 to STA. 30+65	RAGTOWN LANE	MOLLY BROWN ROAD
COM.	0	0
EMB. IN PLACE	0	0
EMB. FOUND. BENCH	0	0

EARTHWORK QUANTITIES	
	CUBIC YARDS
SHEET TOTALS STA. 545+00 to STA. 560+00	
COM.	0
EMB. IN PLACE	0
EMB. FOUND. BENCH	0

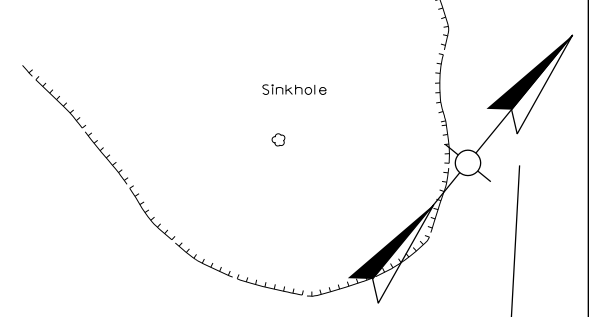
FLOOD DATA		
STORM (YR)	RUNOFF (CFS)	HEADWATER ELEV (FT)
DESIGN	25	34
CHECK	100	41

RIGHT OF WAY PLANS



SCALE: 1" = 50' HORIZONTAL
1" = 5' VERTICAL

COUNTY OF	ITEM NO.	SHEET NO.
MEADE	4-8705.00	R19



(P 52) William M. Smith
Mildred Catherine Smith (wife)
DB. 102 Pg. 68

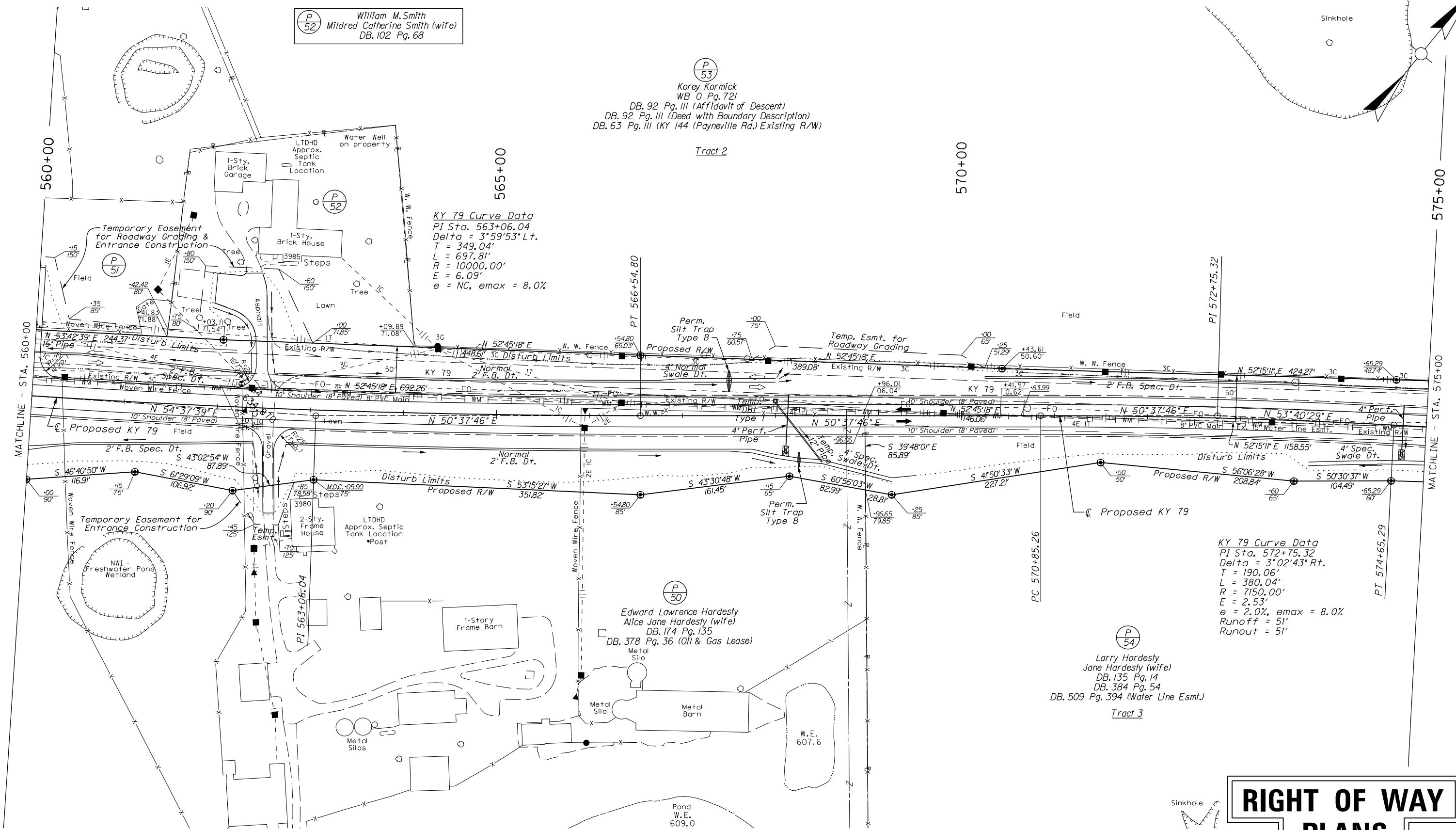
(P 53) Korey Kormick
WB 0 Pg. 721
DB. 92 Pg. III (Affidavit of Descent)
DB. 92 Pg. III (Deed with Boundary Description)
DB. 63 Pg. III (KY 144 (Payneville Rd.) Existing R/W)

KY 79 Curve Data
PI Sta. 563+06.04
Delta = 3°59'53" Lt.
T = 349.04'
L = 697.81'
R = 10000.00'
E = 6.09'
e = NC, emax = 8.0%

KY 79 Curve Data
PI Sta. 572+75.32
Delta = 3°02'43" Rt.
T = 190.06'
L = 380.04'
R = 7150.00'
E = 2.53'
e = 2.0%, emax = 8.0%
Runoff = 51'
Runout = 51'

(P 54) Larry Hardesty
Jane Hardesty (wife)
DB. 135 Pg. 14
DB. 384 Pg. 54
DB. 509 Pg. 394 (Water Line Esmt.)
Tract 3

(P 50) Edward Lawrence Hardesty
Alice Jane Hardesty (wife)
DB. 174 Pg. 135
DB. 378 Pg. 36 (Oil & Gas Lease)



RIGHT OF WAY PLANS

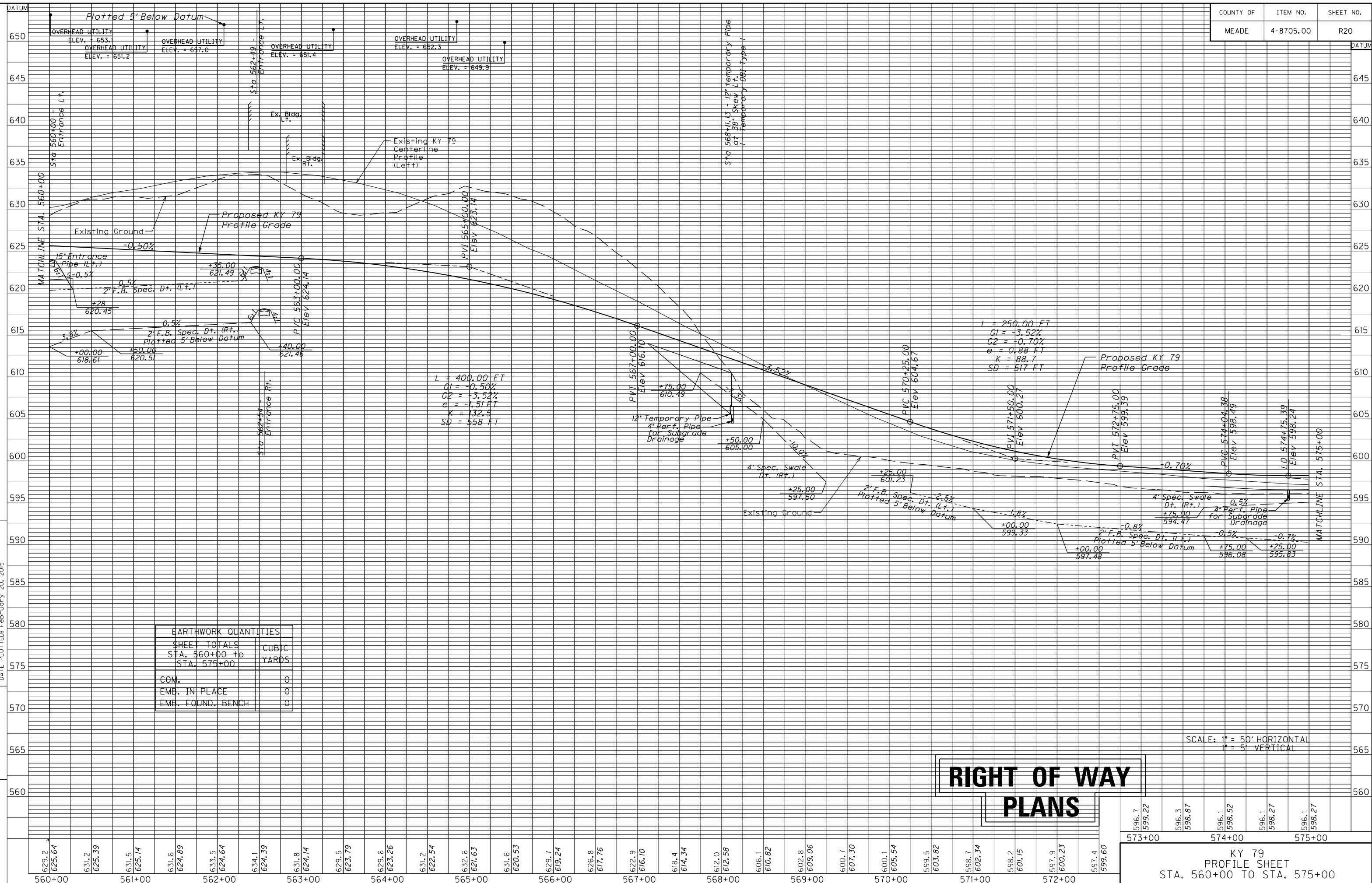
KY 79
PLAN SHEET
STA. 560+00 TO STA. 575+00



FILE NAME: P:\R52302\CADD\ROADWAY PLANS\ROI900PL.DGN
 USER: harbour
 DATE PLOTTED: February 20, 2015
 E-SHEET NAME:
 MicroStation v8.11.7.443

MicroStation v8.11.7.443 E-SHEET NAME: USER: harbour DATE PLOTTED: February 20, 2015 FILE NAME: P:\PR52302\CADD\ROADWAY PLANS\R02000PF.DGN

COUNTY OF	ITEM NO.	SHEET NO.
MAEDA	4-8705.00	R20



EARTHWORK QUANTITIES	
SHEET TOTALS	CUBIC
STA. 560+00 to	YARDS
STA. 575+00	
COM.	0
EMB. IN PLACE	0
EMB. FOUND. BENCH	0

**RIGHT OF WAY
PLANS**

SCALE: 1" = 50' HORIZONTAL
1" = 5' VERTICAL

596.7 599.22	596.3 598.87	596.1 598.52	596.1 598.27	596.1 598.27
573+00		574+00		575+00

KY 79
PROFILE SHEET
STA. 560+00 TO STA. 575+00

629.2 625.64	631.2 625.39	631.5 625.14	631.6 624.89	633.5 624.64	634.1 624.39	631.8 624.14	629.5 623.79	629.6 623.26	631.2 622.54	632.6 621.63	631.6 620.53	629.7 619.24	626.8 617.76	622.9 616.10	618.4 614.34	612.0 612.58	606.1 610.82	602.8 609.06	600.7 607.30	600.1 605.54	599.5 603.82	598.7 602.34	598.2 601.15	597.9 600.23	597.4 599.60
560+00		561+00		562+00		563+00		564+00		565+00		566+00		567+00		568+00		569+00		570+00		571+00		572+00	

⊕ 55 ⊕ 58 Not Used

Bearing	Distance
(e) N 50°34'03"W	34.88'
(f) N 85°59'21"E	61.25'
(g) S 52°15'11"W	43.19'

Bearing	Distance
(h) N 07°01'06"W	54.08'
(i) N 49°17'29"E	45.00'
(j) S 47°02'55"E	45.28'
(k) S 49°17'29"W	80.00'

Bearing	Distance
(l) N 49°17'29"E	110.00'
(m) N 66°23'39"E	32.87'
(n) S 39°51'58"E	42.89'
(o) N 66°23'39"E	35.14'

Bearing	Distance
(a) N 25°56'58"E	90.38'
(b) N 53°40'29"E	50.00'
(c) S 58°25'05"E	41.48'
(d) S 52°15'11"W	145.64'

KY 144 West Curve Data
 PI Sta. 36+50.81
 Delta = 10°54'34" Rt.
 T = 191.94'
 L = 382.72'
 R = 2010.00'
 E = 9.14'
 e = 5.8%, emax = 8.0%
 Runoff = 148' (Back), Special (Ahead)
 Runout = 51.03' (Back), Special (Ahead)

Korey Kormick
 WB 0 Pg. 721
 DB. 92 Pg. III (Affidavit of Descent)
 DB. 92 Pg. III (Deed with Boundary Description)
 DB. 63 Pg. III (KY 144 (Payneville Rd.) Existing R/W)

KY 79 Curve Data
 PI Sta. 580+54.23
 Delta = 4°23'00" Lt.
 T = 273.63'
 L = 546.99'
 R = 7150.00'
 E = 5.23'
 e = 2.0%, emax = 8.0%
 Runoff = 56'
 Runout = 51'

Rebecca Mattie Thompson Greer (single)
 DB. 543 Pg. 127
 DB. 509 Pg. 397 (Water Line Esmt.)

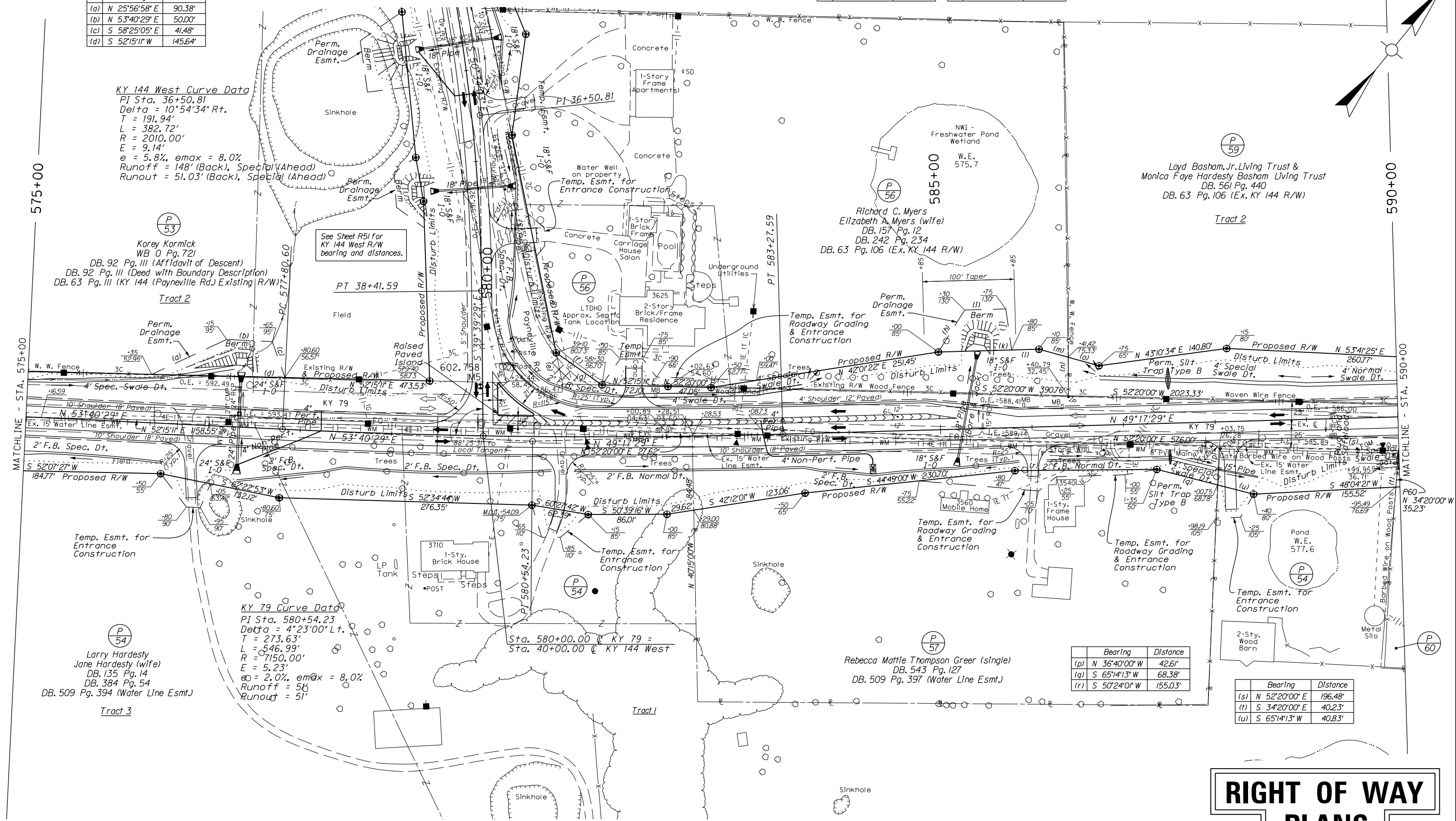
Bearing	Distance
(p) N 36°40'00"W	42.61'
(q) S 65°14'13"W	68.38'
(r) S 50°24'00"W	155.03'

Bearing	Distance
(s) N 52°20'00"E	196.48'
(t) S 34°20'00"E	40.23'
(u) S 65°14'13"W	40.83'

FILE NAME: P:\R52302\CADD\ROADWAY PLANS\R02100PL.DGN

USER: harbour DATE PLOTTED: February 20, 2015

MicroStation v8.11.7.443 E-SHEET NAME:

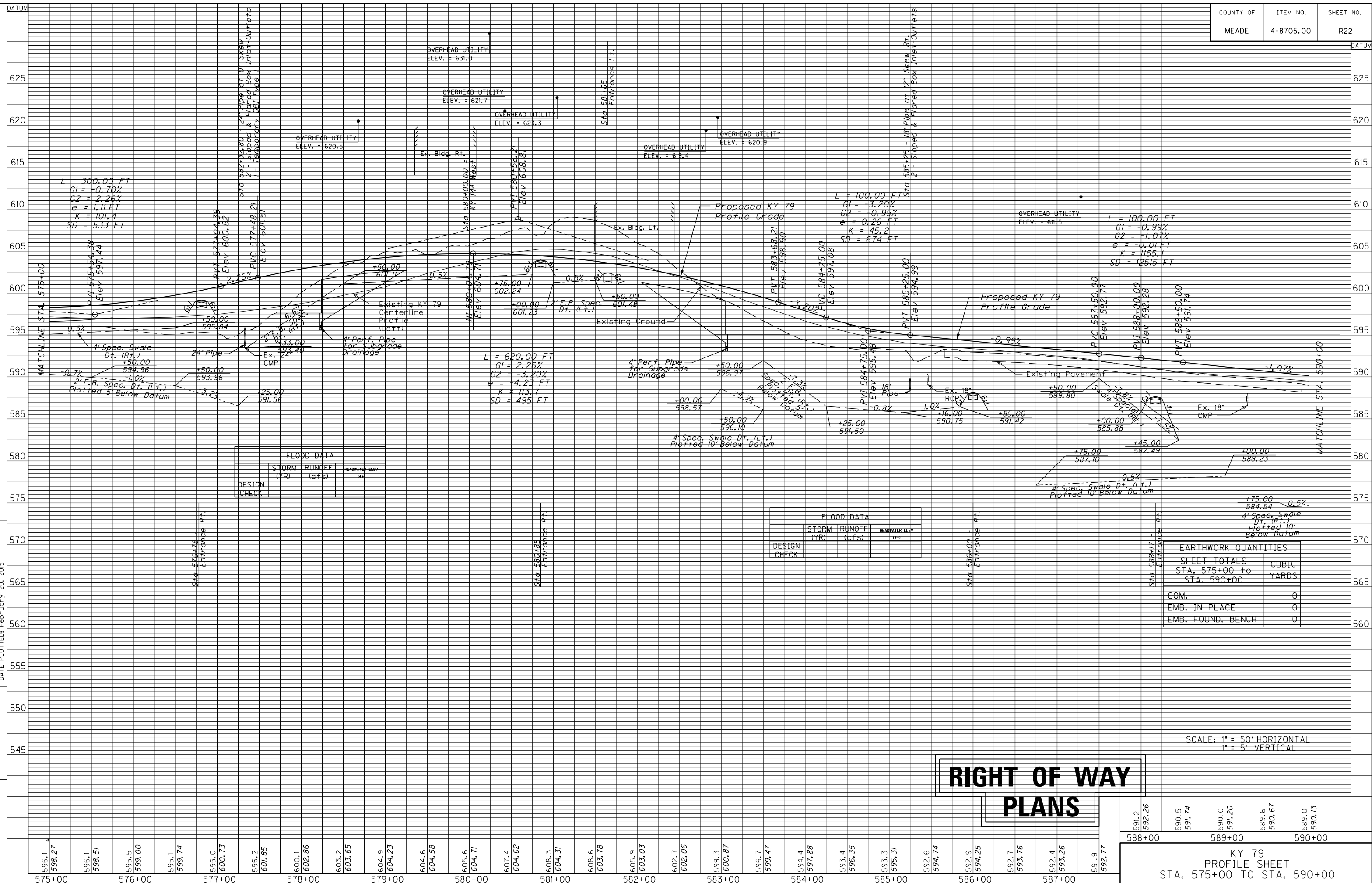


RIGHT OF WAY PLANS

KY 79
 PLAN SHEET
 STA. 575+00 TO STA. 590+00



MicroStation v8.11.7.443 E-SHEET NAME: USER: gcoocwin DATE PLOTTED: February 20, 2015 FILE NAME: P:\PR52302\CADD\ROADWAY PLANS\R02200PF.DGN



FLOOD DATA		
DESIGN CHECK	STORM (YR)	RUNOFF (CFS)

FLOOD DATA		
DESIGN CHECK	STORM (YR)	RUNOFF (CFS)

EARTHWORK QUANTITIES	
SHEET TOTALS	
STA. 575+00 to	CUBIC
STA. 590+00	YARDS
COM.	0
EMB. IN PLACE	0
EMB. FOUND. BENCH	0

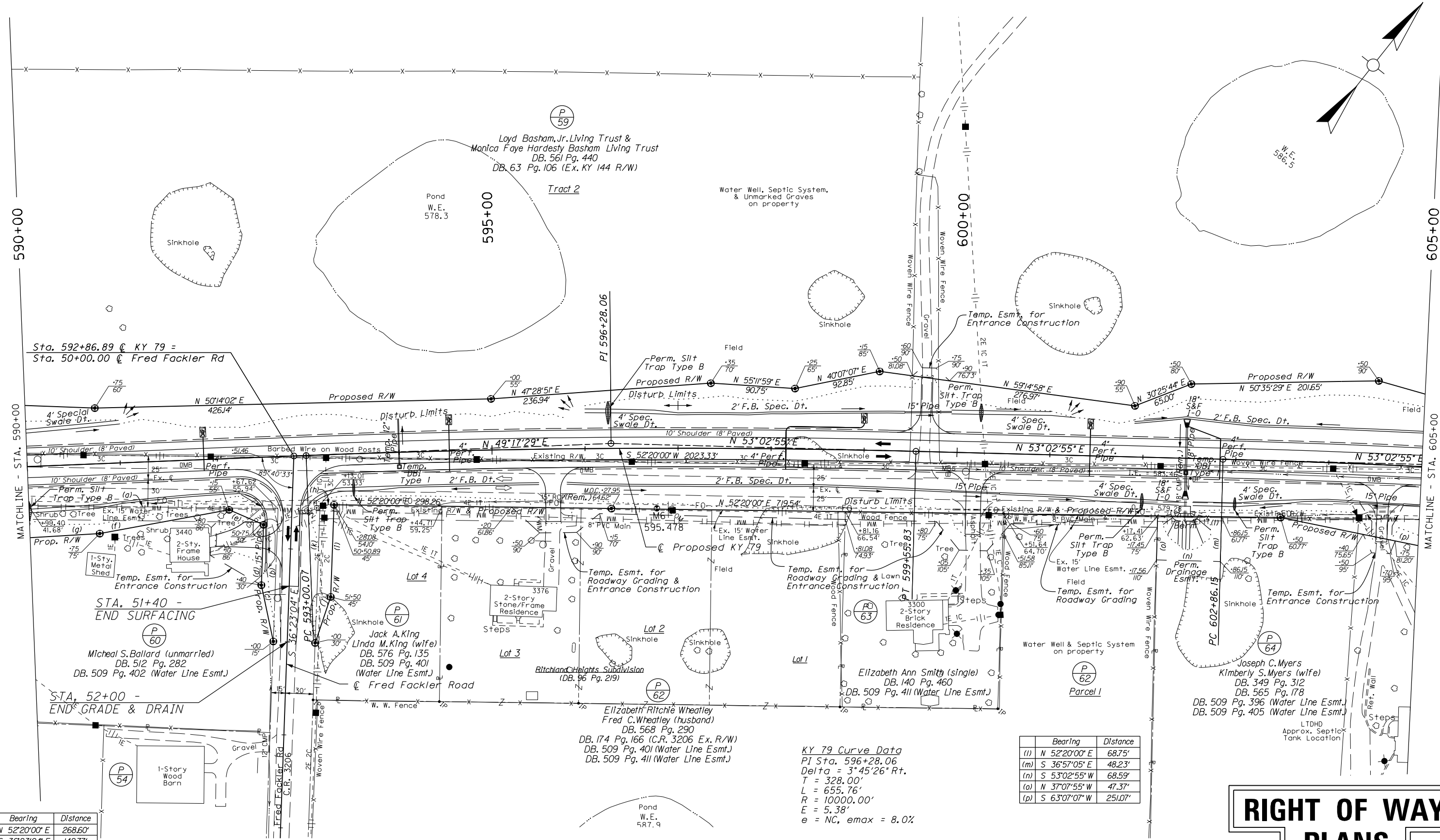
**RIGHT OF WAY
PLANS**

SCALE: 1" = 50' HORIZONTAL
1" = 5' VERTICAL

KY 79
PROFILE SHEET
STA. 575+00 TO STA. 590+00

591.2	592.26	590.5	591.74	590.0	591.20	589.6	590.67	589.0	590.13
588+00		589+00		590+00					

FILE NAME: P:\P\2302\CADD\ROADWAY PLANS\R02300PL.DGN
 USER: harbour
 DATE PLOTTED: February 20, 2015
 E-SHEET NAME:
 MicroStation v8.11.7.443



	Bearing	Distance
(a)	N 52°20'00" E	268.60'
(b)	S 36°23'04" E	142.77'
(c)	N 50°25'15" W	61.85'
(d)	N 36°23'04" W	65.00'
(e)	S 75°02'53" W	40.33'
(f)	S 41°09'41" W	141.42'
(g)	S 48°04'21" W	79.53'

	Bearing	Distance
(h)	N 52°20'00" E	15.00'
(i)	S 36°23'04" E	99.11'
(j)	S 19°41'07" E	52.20'
(k)	N 36°23'04" W	148.78'

KY 79 Curve Data
 PI Sta. 596+28.06
 Delta = 3°45'26" Rt.
 T = 328.00'
 L = 655.76'
 R = 10000.00'
 E = 5.38'
 e = NC, emax = 8.0%

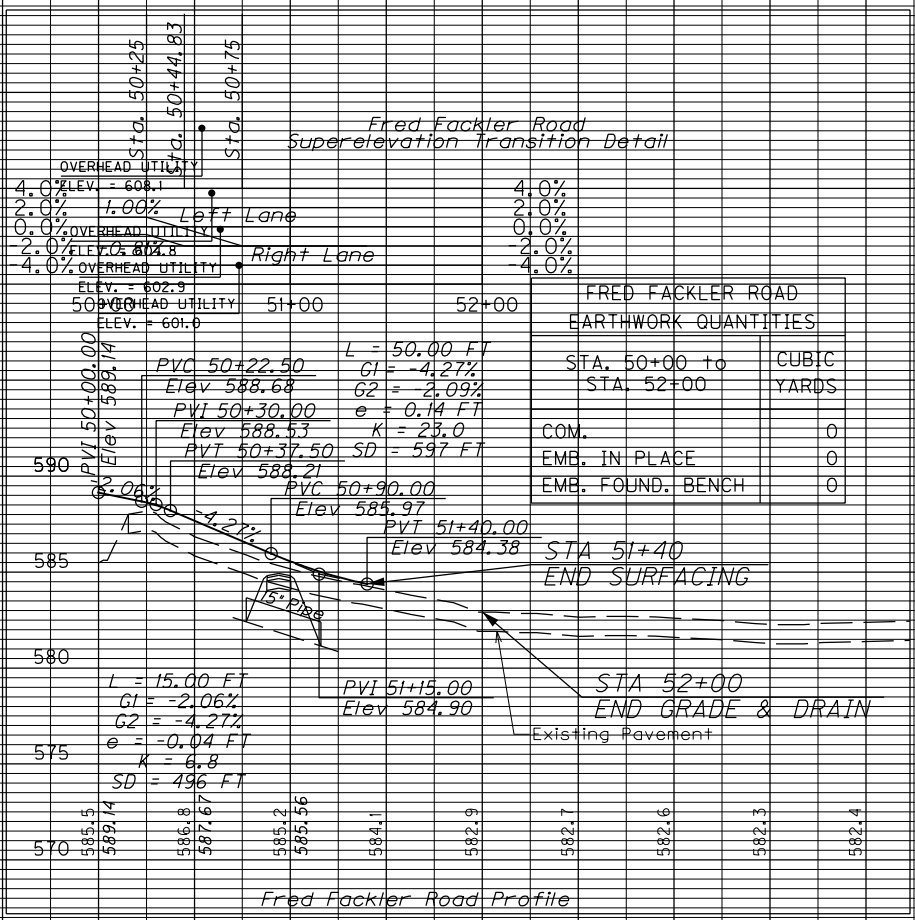
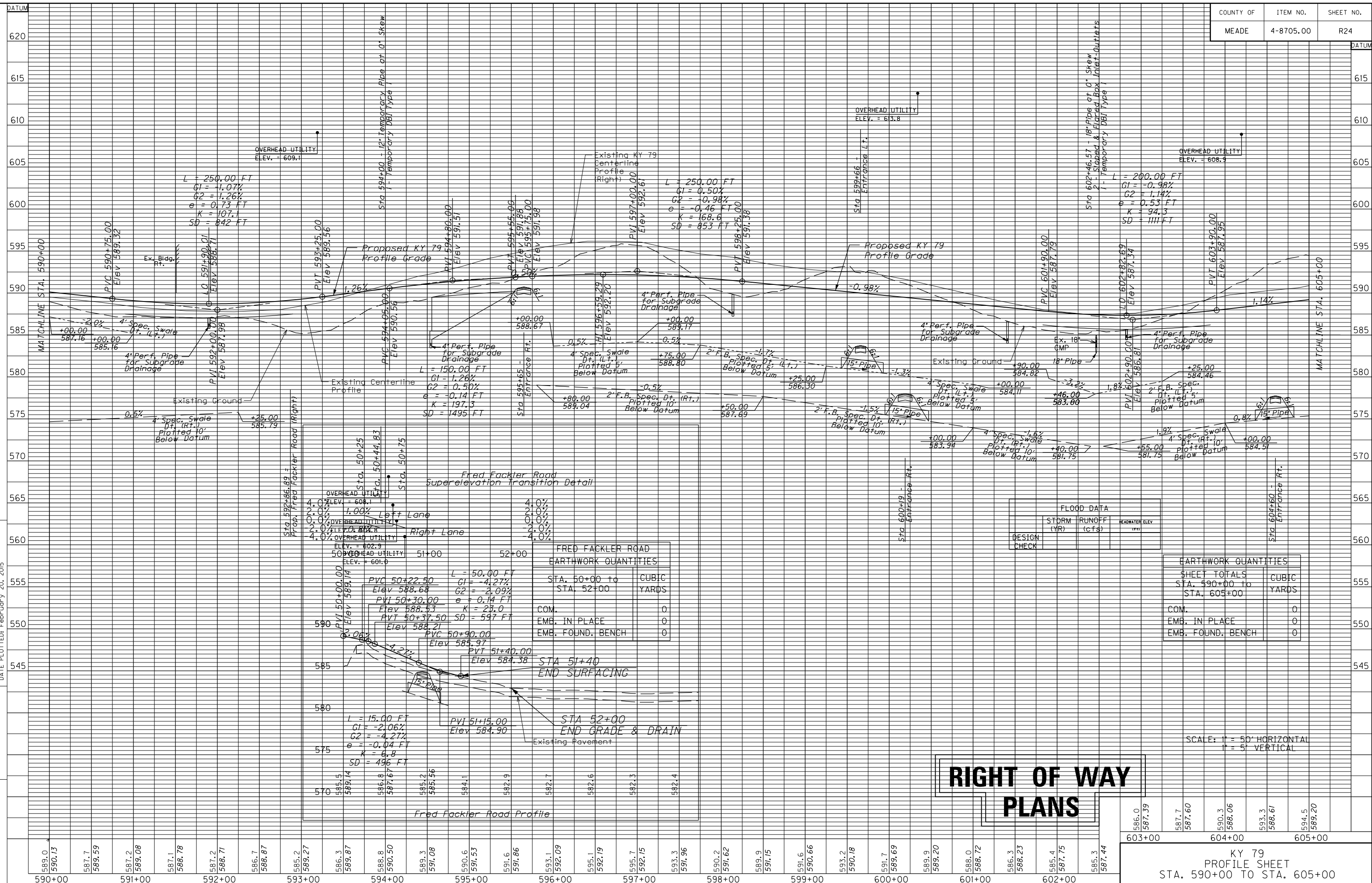
	Bearing	Distance
(l)	N 52°20'00" E	68.75'
(m)	S 36°57'05" E	48.23'
(n)	S 53°02'55" W	68.59'
(o)	N 37°07'55" W	47.37'
(p)	S 63°07'07" W	251.07'

RIGHT OF WAY PLANS

KY 79
 PLAN SHEET
 STA. 590+00 TO STA. 605+00



MicroStation v8.11.7.443 E-SHEET NAME: USER: gaoocwin DATE PLOTTED: February 20, 2015 FILE NAME: P:\PR23202\CADD\ROADWAY PLANS\R02400FF.DGN



FRED FACKLER ROAD EARTHWORK QUANTITIES	
STA. 50+00 to	CUBIC YARDS
STA. 52+00	
COM.	0
EMB. IN PLACE	0
EMB. FOUND. BENCH	0

FLOOD DATA		
DESIGN CHECK	STORM (YR)	RUNOFF (cfs)
		HEADWATER ELEV (FT)

EARTHWORK QUANTITIES	
SHEET TOTALS	CUBIC YARDS
STA. 590+00 to	
STA. 605+00	
COM.	0
EMB. IN PLACE	0
EMB. FOUND. BENCH	0

RIGHT OF WAY PLANS

SCALE: 1" = 50' HORIZONTAL
1" = 5' VERTICAL

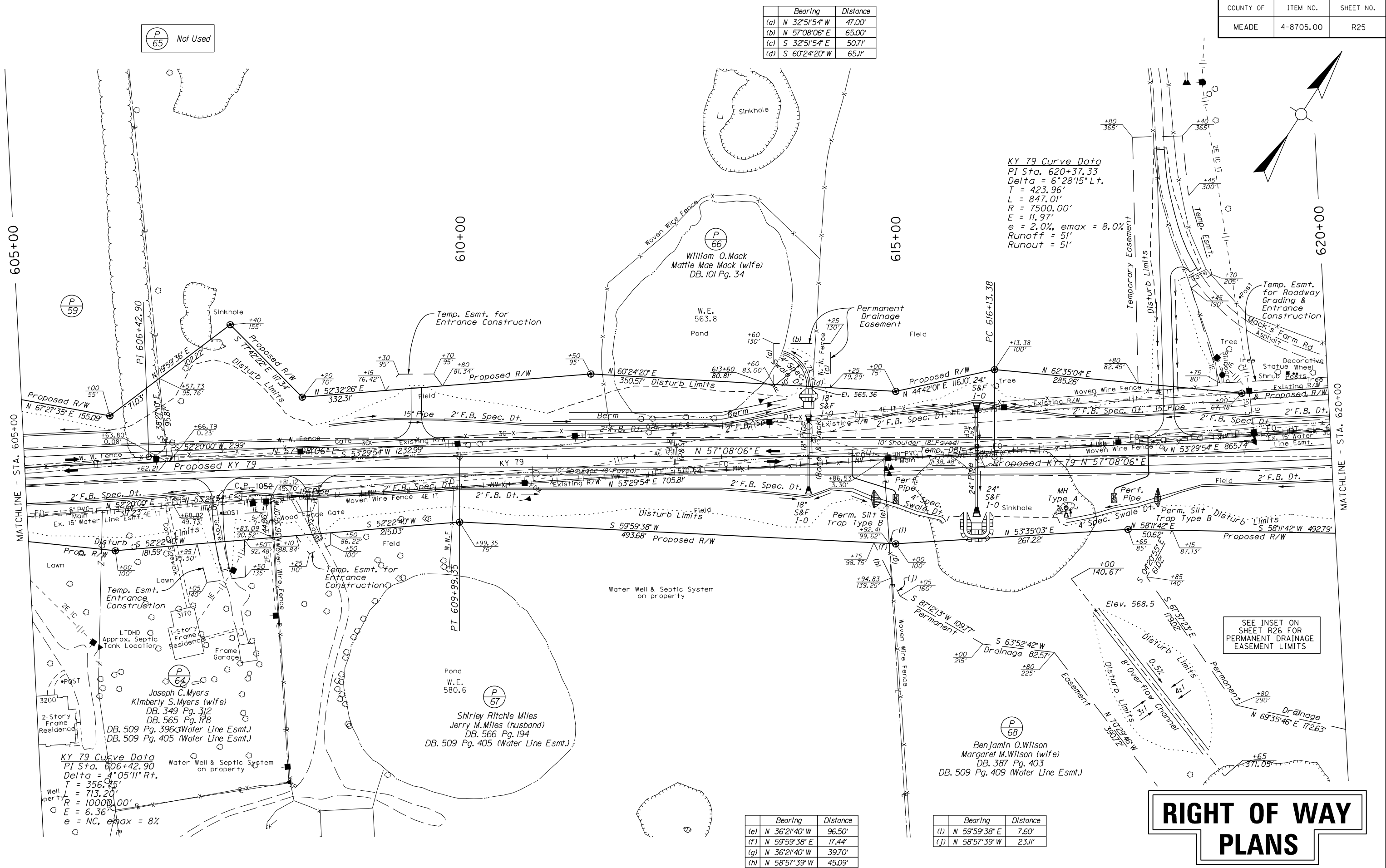
586.0	587.39	587.7	587.60	590.3	588.06	593.3	588.61	594.5	589.20
603+00		604+00		605+00					

KY 79 PROFILE SHEET
STA. 590+00 TO STA. 605+00

	Bearing	Distance
(a)	N 32°51'54" W	47.00'
(b)	N 57°08'06" E	65.00'
(c)	S 32°51'54" E	50.71'
(d)	S 60°24'20" W	65.11'

$\frac{P}{65}$ Not Used

KY 79 Curve Data
 PI Sta. 620+37.33
 Delta = 6°28'15" Lt.
 T = 423.96'
 L = 847.01'
 R = 7500.00'
 e = 11.97'
 e = 2.0%, emax = 8.0%
 Runoff = 51'
 Runout = 51'



RIGHT OF WAY PLANS

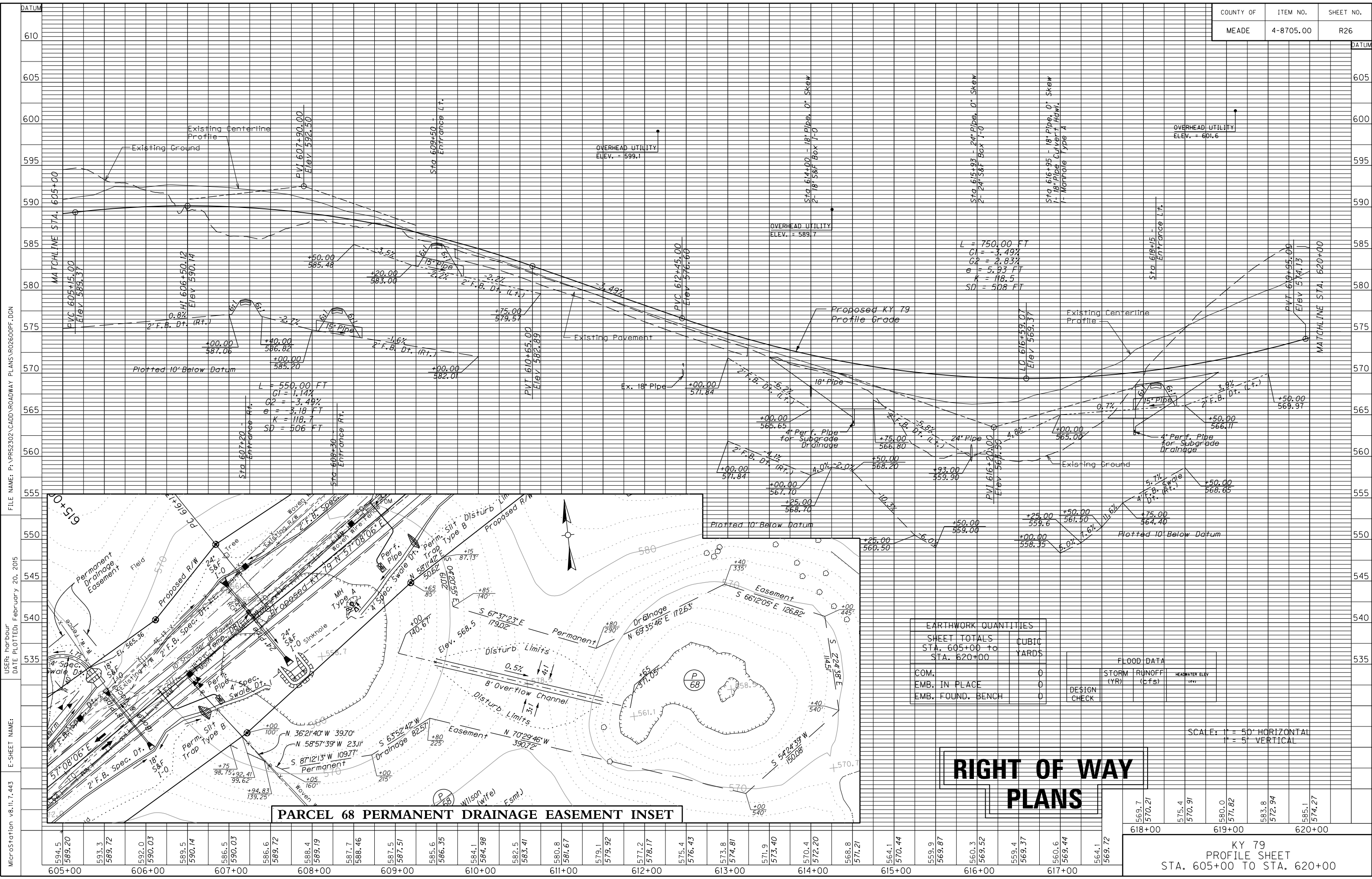
KY 79
 PLAN SHEET
 STA. 605+00 TO STA. 620+00

	Bearing	Distance
(e)	N 36°21'40" W	96.50'
(f)	N 59°59'38" E	17.44'
(g)	N 36°21'40" W	39.70'
(h)	N 58°57'39" W	45.09'

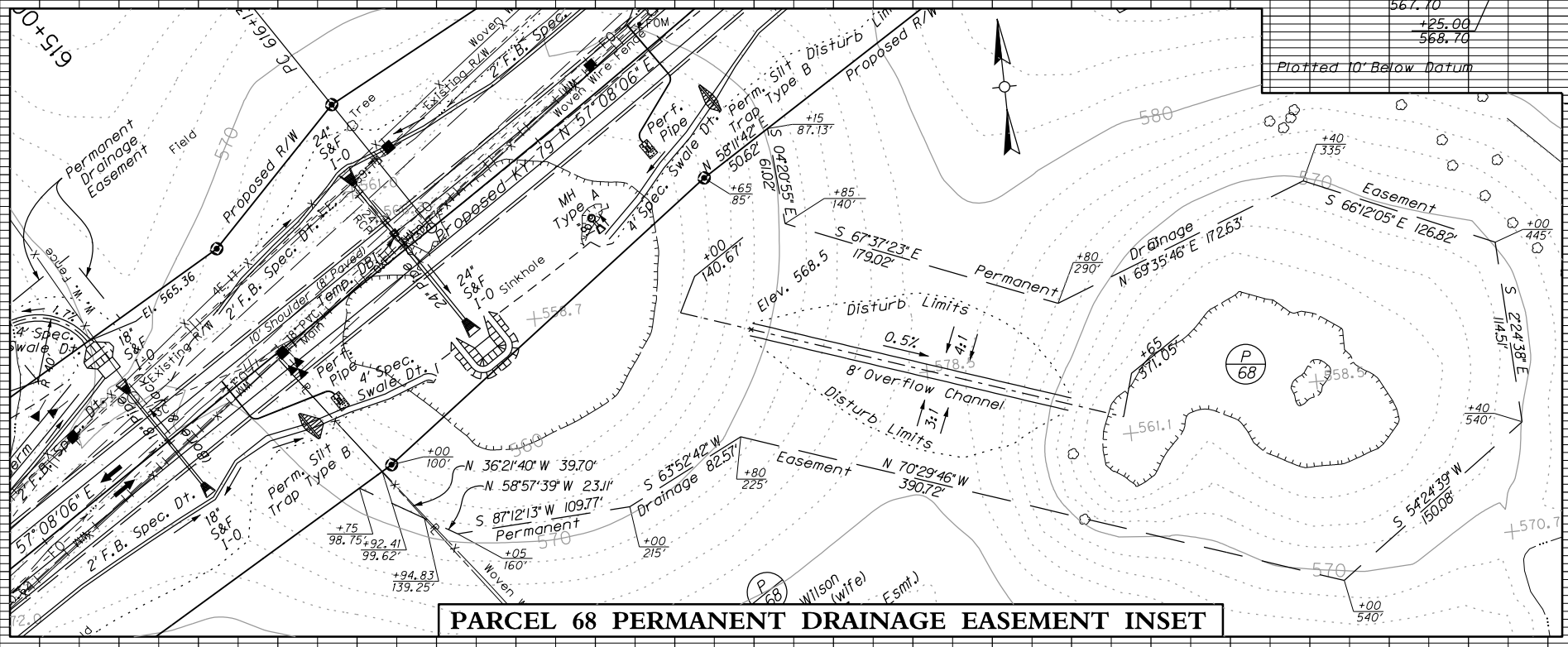
	Bearing	Distance
(i)	N 59°59'38" E	7.60'
(j)	N 58°57'39" W	23.11'



FILE NAME: P:\R52302\CADD\ROADWAY PLANS\R02500PL.DGN
 USER: harbour
 DATE PLOTTED: February 20, 2015
 E-SHEET NAME:
 MicroStation v8.11.7.443



MicroStation v8.11.7.443 E-SHEET NAME: FILE NAME: P:\P852302\CADD\ROADWAY PLANS\R02600PF.DGN
 USER: harbour DATE PLOTTED: February 20, 2015



EARTHWORK QUANTITIES	
SHEET TOTALS	CUBIC
STA. 605+00 to	YARDS
STA. 620+00	
COM.	0
EMB. IN PLACE	0
EMB. FOUND. BENCH	0

FLOOD DATA		
STORM (YR)	RUNOFF (cfs)	HEADWATER ELEV
DESIGN CHECK		

SCALE: 1" = 50' HORIZONTAL
1" = 5' VERTICAL

**RIGHT OF WAY
PLANS**

569.7	570.21	575.4	570.91	580.0	571.82	583.8	572.94	585.1	574.27
618+00		619+00		620+00					

KY 79
PROFILE SHEET
STA. 605+00 TO STA. 620+00

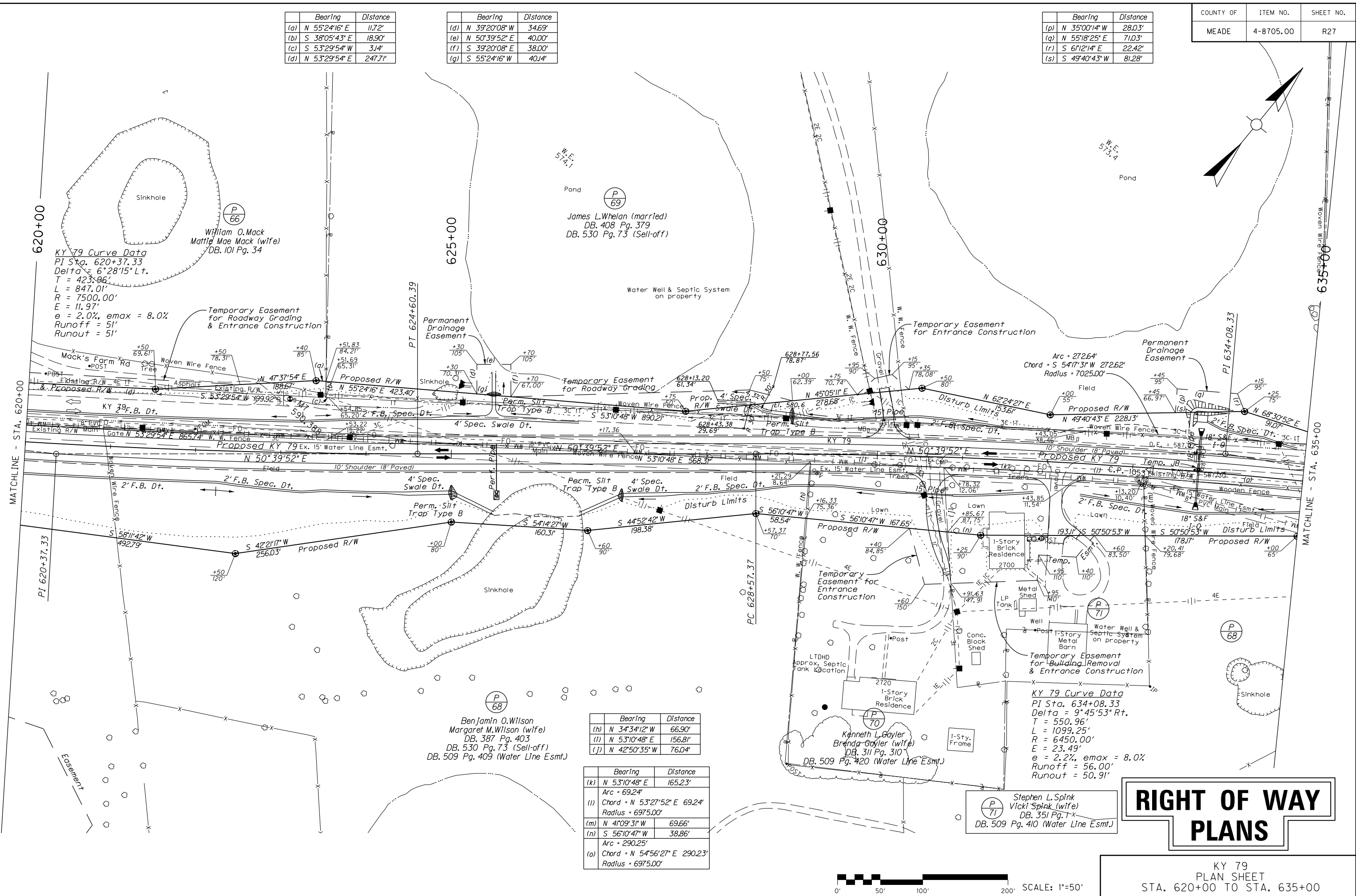
594.5	589.20	593.3	589.72	592.0	590.03	589.5	590.14	586.5	590.03	586.6	589.72	588.4	589.19	587.7	588.46	587.5	587.51	585.6	586.35	584.1	584.98	582.5	583.41	580.8	581.67	579.1	579.92	577.2	578.17	575.4	576.43	573.8	574.81	571.9	573.40	570.4	572.20	568.8	571.21	564.1	570.44	559.9	569.87	560.3	569.52	559.4	569.37	560.6	569.44	564.1	569.72
605+00		606+00		607+00		608+00		609+00		610+00		611+00		612+00		613+00		614+00		615+00		616+00		617+00		618+00		619+00		620+00																					

	Bearing	Distance
(a)	N 55°24'16" E	11.72'
(b)	S 38°05'43" E	18.90'
(c)	S 53°29'54" W	3.14'
(d)	N 53°29'54" E	247.71'

	Bearing	Distance
(d)	N 39°20'08" W	34.69'
(e)	N 50°39'52" E	40.00'
(f)	S 39°20'08" E	38.00'
(g)	S 55°24'16" W	40.14'

	Bearing	Distance
(p)	N 35°00'14" W	28.03'
(q)	N 55°18'25" E	71.03'
(r)	S 6°12'14" E	22.42'
(s)	S 49°40'43" W	81.28'

FILE NAME: P:\PR52302\CADD\ROADWAY PLANS\R02700PL.DGN
 USER: hardbour
 DATE PLOTTED: February 20, 2015
 E-SHEET NAME:
 MicroStation v8.11.7.443



RIGHT OF WAY PLANS

KY 79
 PLAN SHEET
 STA. 620+00 TO STA. 635+00

SCALE: 1"=50'

	Bearing	Distance
(h)	N 34°34'12" W	66.90'
(i)	N 53°10'48" E	156.81'
(j)	N 42°50'35" W	76.04'

	Bearing	Distance
(k)	N 53°10'48" E	165.23'
(l)	Chord - N 53°27'52" E 69.24'	Radius - 6975.00'
(m)	N 41°09'31" W	69.66'
(n)	S 56°10'47" W	38.86'
(o)	Chord - N 54°56'27" E 290.23'	Radius - 6975.00'

KY 79 Curve Data
 PI Sta. 634+08.33
 Delta = 9°45'53" Rt.
 T = 550.96'
 L = 1099.25'
 R = 6450.00'
 E = 23.49'
 e = 2.2%, emax = 8.0%
 Runoff = 56.00'
 Runout = 50.91'

(P 71)
 Stephen L. Spink
 Vicki Spink (wife)
 DB. 351 Pg. 1
 DB. 509 Pg. 410 (Water Line Esmt.)

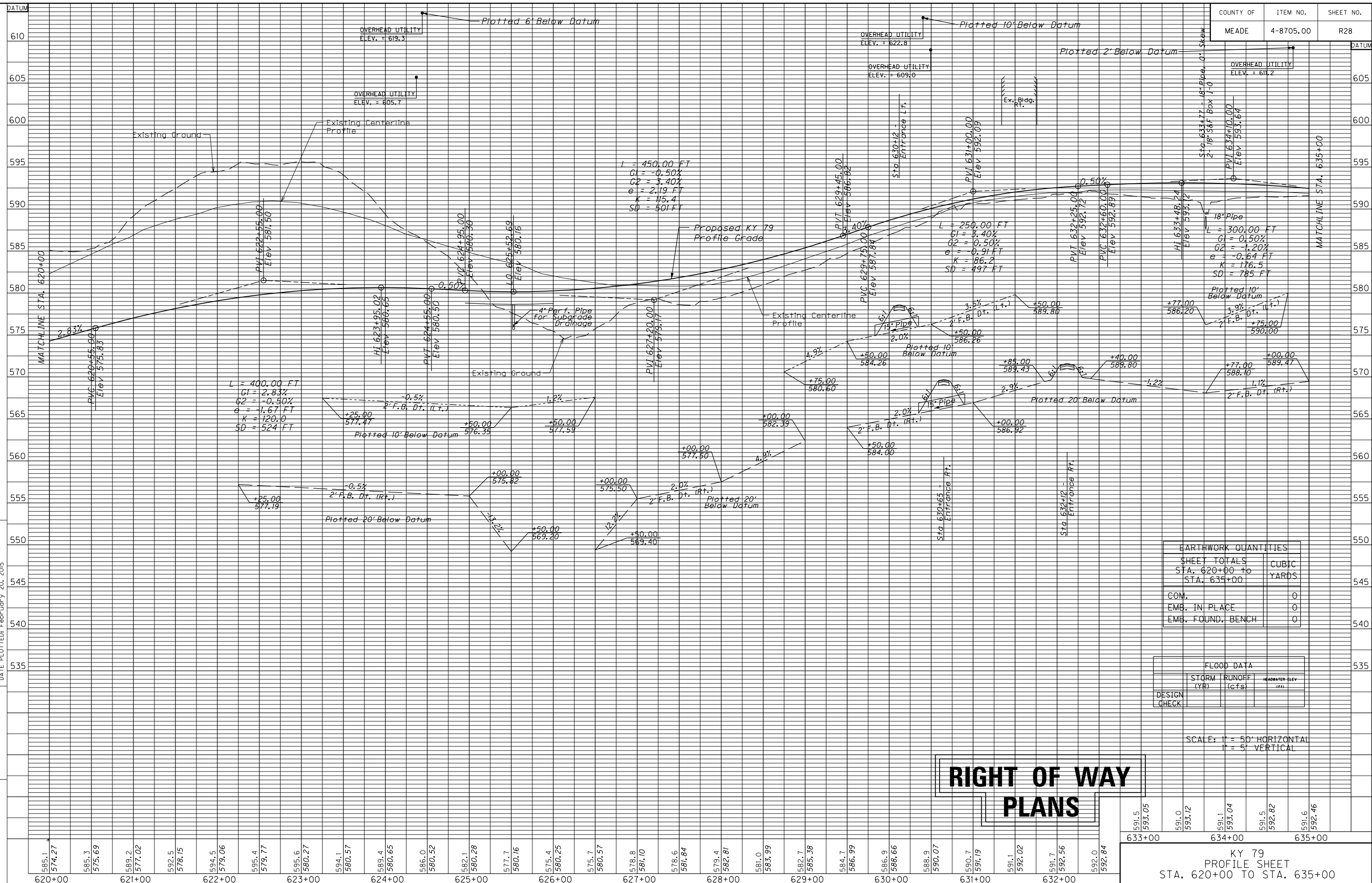
(P 68)
 Benjamin O. Wilson
 Margaret M. Wilson (wife)
 DB. 387 Pg. 403
 DB. 530 Pg. 73 (Sell-off)
 DB. 509 Pg. 409 (Water Line Esmt.)

(P 69)
 James L. Whelan (married)
 DB. 408 Pg. 379
 DB. 530 Pg. 73 (Sell-off)

(P 66)
 William O. Mack
 Mattie Mae Mack (wife)
 DB. 101 Pg. 34

KY 79 Curve Data
 PI Sta. 620+37.33
 Delta = 6°28'15" Lt.
 T = 423.96'
 L = 847.01'
 R = 7500.00'
 E = 11.97'
 e = 2.0%, emax = 8.0%
 Runoff = 51'
 Runout = 51'

MicroStation v8.11.9.459 E-SHEET NAME: USER: mckee DATE PLOTTED: February 20, 2015 FILE NAME: P:\PR2302\CADD\ROADWAY PLANS\RO2800PF.DGN



EARTHWORK QUANTITIES	
SHEET TOTALS	
STA. 620+00 TO	CUBIC YARDS
STA. 635+00	
COM.	0
EMB. IN PLACE	0
EMB. FOUND. BENCH	0

FLOOD DATA		
DESIGN CHECK	STORM (YR)	RUNOFF (CFS)
		HEADWATER ELEV (FT)

SCALE: 1" = 50' HORIZONTAL
1" = 5' VERTICAL

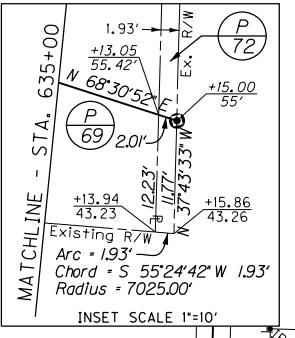
**RIGHT OF WAY
PLANS**

633+00 634+00 635+00
591.5 593.05 591.0 593.12 591.1 593.04 591.5 592.62 591.6 592.46

KY 79
PROFILE SHEET
STA. 620+00 TO STA. 635+00

Bearing	Distance
(d) N 46°35'00" W	24.43'
(e) N 52°30'56" E	71.58'
(f) S 42°28'18" E	24.78'
(g) Arc = 69.87'	
(g) Chord = S 52°58'57" W 69.87'	Radius = 6975.00'
(h) N 52°30'56" E	107.43'
(i) Arc = 55.51'	
(i) Chord = S 52°28'03" W 55.51'	Radius = 6975.00'

Bearing	Distance
(a) N 37°43'33" W	10.61'
(b) N 78°41'56" E	27.44'
(c) Arc = 246.3'	
(c) Chord = S 56°00'36" W 246.3'	Radius = 7025.00'



Bearing	Distance
(j) S 37°44'04" E	71.30'
(k) N 39°12'07" W	96.12'
(l) S 70°52'35" W	28.15'

Bearing	Distance
(r) S 88°19'18" W	74.09'
(s) S 29°34'15" E	85.00'
(t) N 60°25'45" E	60.00'
(u) S 19°14'36" W	53.15'
(v) S 60°25'45" W	20.00'
(w) N 29°34'15" W	35.00'

Bearing	Distance
(n) Chord = N 56°42'23" E 201.47'	Radius = 7025.00'
(o) S 41°31'59" E	86.95'
(p) N 22°52'47" E	82.60'
(q) S 70°52'35" W	72.31'
(x) N 51°39'54" E	34.66'
(y) S 41°31'59" E	23.48'
(z) S 55°49'55" W	32.59'
(aa) N 47°41'50" W	21.36'

Bearing	Distance
(arc) Arc = 125.63'	
(bb) Chord = N 55°22'22" E 125.63'	Radius = 7025.00'
(cc) S 41°31'59" E	109.50'
(dd) S 51°39'54" W	26.84'

Bearing	Distance
(ee) Arc = 191.55'	
(ee) Chord = N 54°04'45" E 191.54'	Radius = 7025.00'
(ff) S 41°31'59" E	100.43'
(gg) S 37°27'34" W	35.25'
(hh) S 68°44'08" W	12.52'

Bearing	Distance
(ii) Arc = 120.7'	
(ii) Chord = N 53°14'55" E 120.7'	Radius = 7025.00'
(jj) Arc = 117.68'	
(jj) Chord = N 52°43'10" E 117.68'	Radius = 7025.00'
(kk) N 52°14'23" E	31.39'
(ll) S 52°48'02" E	31.78'
(mm) N 46°39'17" W	64.33'

Bearing	Distance
(nn) S 52°48'02" E	115.78'
(oo) Arc = 107.80'	
(oo) Chord = S 57°05'24" E 107.70'	Radius = 720.00'
(pp) N 89°04'03" W	60.45'

KY 79 Curve Data
 PI Sta. 646+03.21
 Delta = 15°02'26" Lt.
 Ts = 421.56'
 Ls = 117.00'
 Lc = 604.90'
 Theta = 1°13'08"
 LT = 78.00'
 ST = 39.00'
 R = 2750.00'
 Es = 24.07'
 e = 4.6%, emax = 18.0%
 Runoff = 117.00', Runout = 501.87'

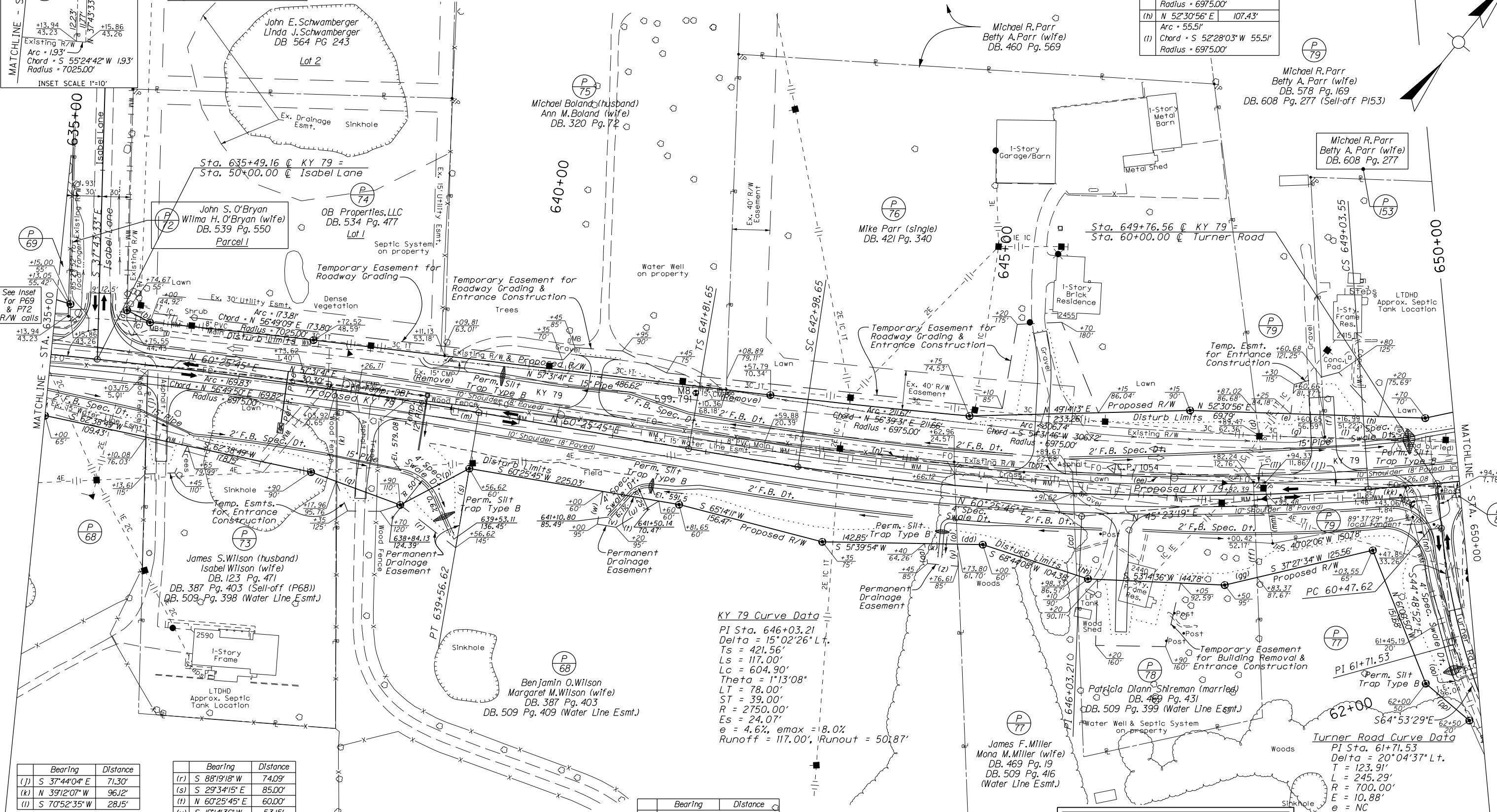
Turner Road Curve Data
 PI Sta. 61+71.53
 Delta = 20°04'37" Lt.
 T = 123.91'
 L = 245.29'
 R = 700.00'
 E = 10.88'
 e = NC

RIGHT OF WAY PLANS

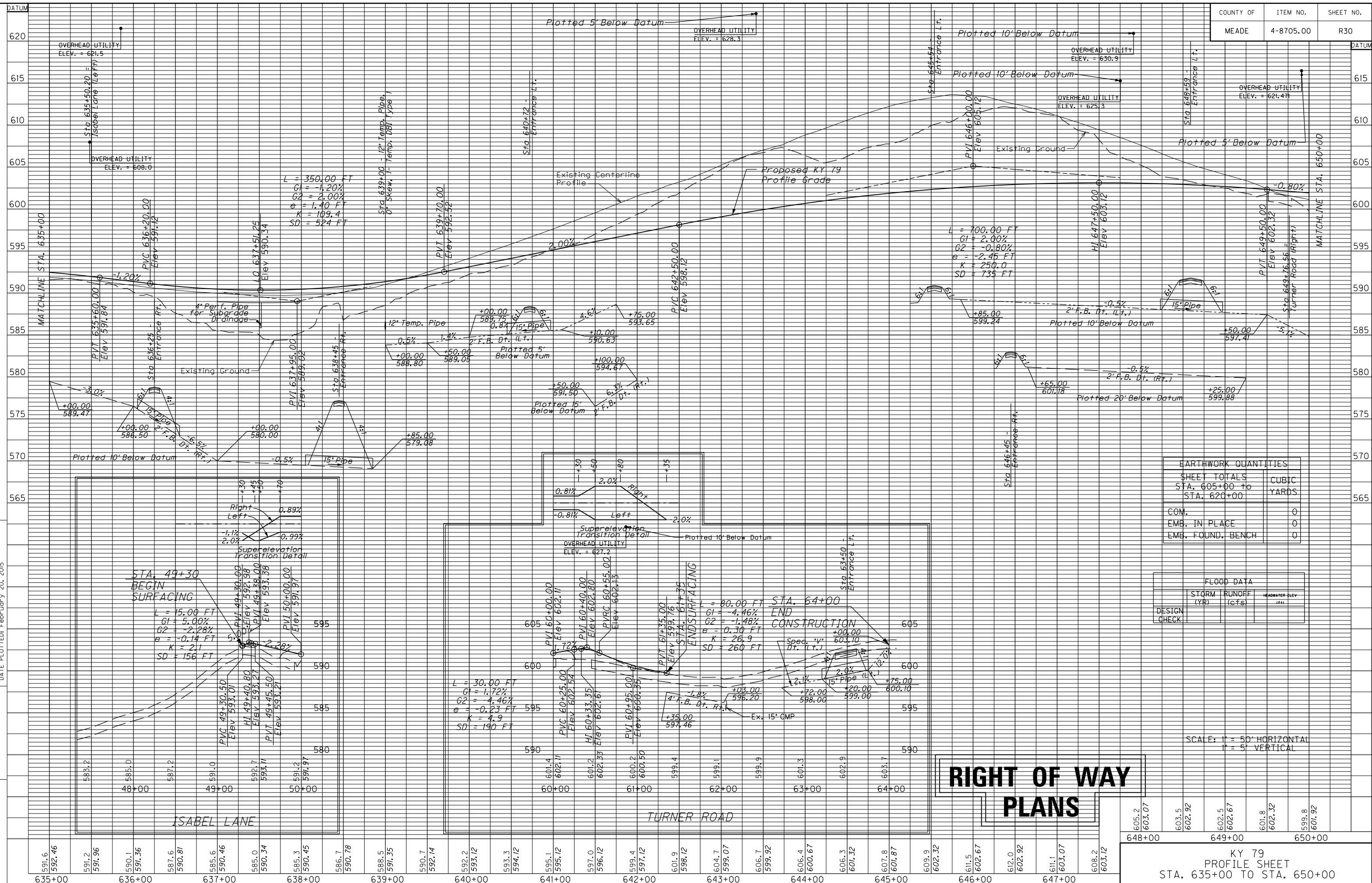


KY 79
 PLAN SHEET
 STA. 635+00 TO STA. 650+00

FILE NAME: P:\PR23202\SUBMIT\2015.02.23\RMP\PLANS\DCN\R02300PL.DGN
 USER: harbour
 DATE PLOTTED: February 20, 2015
 MicroStation v8.11.7.443 E-SHEET NAME:



MicroStation v8.11.9.459 E-SHEET NAME: FILE NAME: P:\PBR2302\CADD\ROADWAY PLANS\R03000P.DGN USER: mckeel DATE PLOTTED: February 20, 2015



EARTHWORK QUANTITIES	
SHEET TOTALS	CUBIC YARDS
STA. 605+00 to STA. 620+00	
COM.	0
EMB. IN PLACE	0
EMB. FOUND. BENCH	0

FLOOD DATA		
STORM (YR)	RUNOFF (cfs)	HEADWATER ELEV. (ft)
DESIGN CHECK		

SCALE: 1" = 50' HORIZONTAL
1" = 5' VERTICAL

RIGHT OF WAY PLANS

605.2	603.07	603.5	602.92	602.5	602.67	601.8	602.32	599.8	601.92
648+00		649+00		650+00					

RIGHT OF WAY PLANS

Not Used
 P 82 P 85 P 86
 P 89 P 90 P 92
 Michael R. Parr
 Beth A. Parr (wife)
 DB. 608 Pg. 277
 P 153

Bearing	Distance
(a) S 43°48'51" E	71.98'
Arc = 107.97'	
(b) Chord = S 50°08'34" W	107.94'
Radius = 1475.00'	
Bearing	Distance
(c) N 15°52'10" E	63.90'
(d) N 36°30'40" E	39.37'
(e) S 35°54'59" E	54.78'
(f) S 37°33'39" E	61.73'
Arc = 168.95'	
(g) Chord = S 44°45'51" W	168.86'
Radius = 1475.00'	

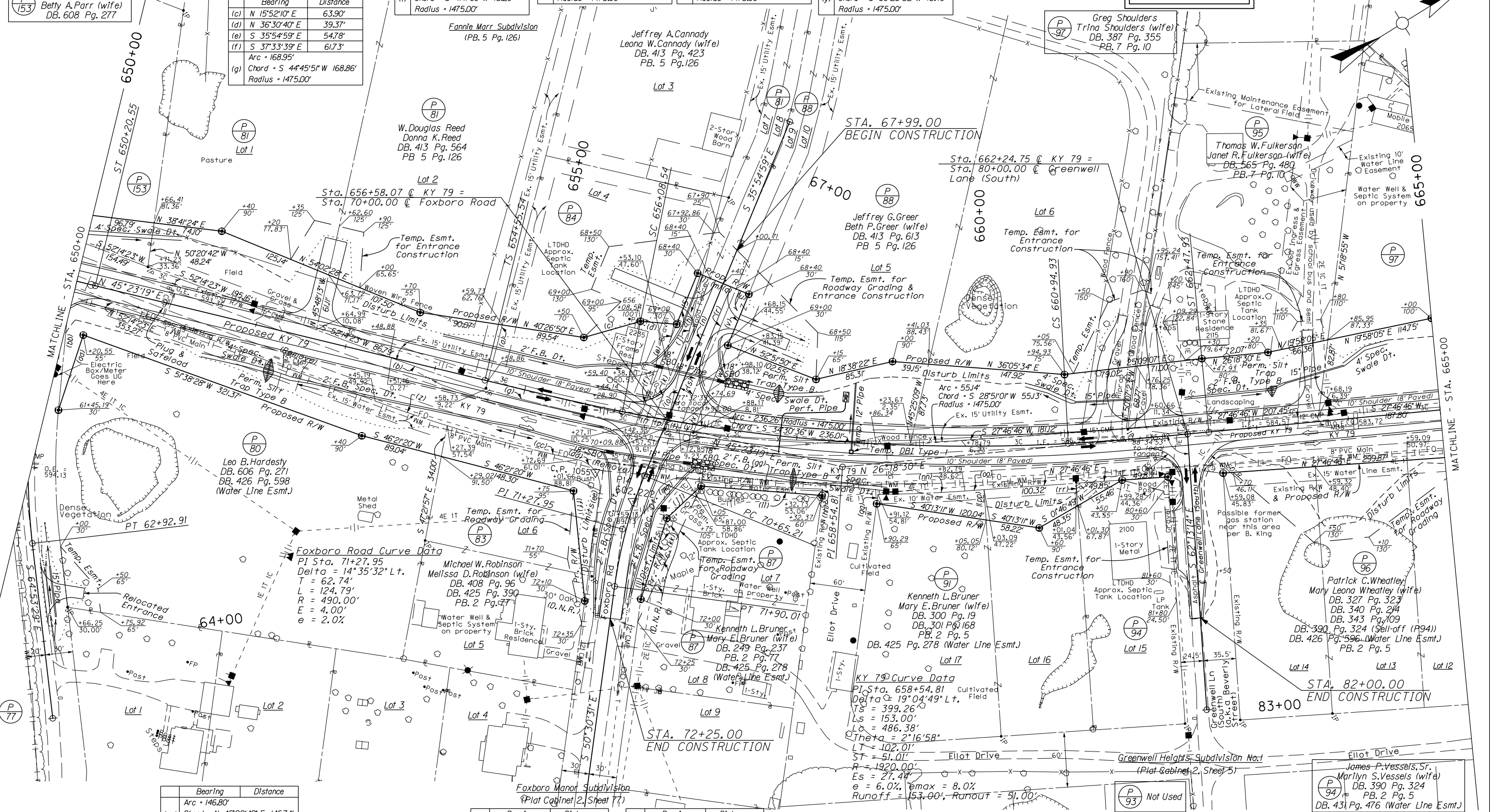
Bearing	Distance
(h) N 35°54'59" W	114.78'
(i) N 54°05'01" E	15.00'
(j) S 35°54'59" E	114.56'
(k) S 37°33'39" E	58.53'
Arc = 152.29'	
(l) Chord = S 47°11'09" W	152.29'
Radius = 1475.00'	

Bearing	Distance
(m) N 54°05'01" E	15.00'
(n) S 35°54'59" E	114.35'
(o) S 37°33'39" E	55.17'
Arc = 153.33'	
(p) Chord = S 40°35'28" W	153.33'
Radius = 1475.00'	

Bearing	Distance
(q) N 54°05'01" E	15.00'
(r) S 35°54'59" E	114.13'
(s) S 37°33'39" E	51.64'
Arc = 153.36'	
(t) Chord = S 39°59'42" W	153.36'
Radius = 1475.00'	

Bearing	Distance
(w) N 54°05'01" E	15.00'
(v) S 35°54'59" E	113.92'
(x) S 35°54'59" E	53.92'
(y) S 37°33'39" E	47.95'
Arc = 154.40'	
(z) Chord = S 39°23'52" W	154.40'
Radius = 1475.00'	

P 84
 David M. Burnett
 Diane M. Burnett (wife)
 DB. 413 Pg. 260
 PB. 5 Pg. 126



Bearing	Distance
(z) Arc = 82.56'	
Chord = N 50°41'19" E	82.55'
Radius = 1525.00'	
(aa) S 39°56'20" E	85.82'
(bb) N 52°48'02" W	134.13'

Bearing	Distance
(cc) Arc = 146.80'	
Chord = N 46°22'49" E	146.74'
Radius = 1525.00'	
(cd) Arc = 44.96'	
Chord = N 86°33'25" E	40.87'
Radius = 30.00'	
(ce) S 50°30'31" E	120.87'
(cf) N 64°04'02" W	120.06'

Bearing	Distance
(gg) Arc = 150.12'	
Chord = N 36°22'39" E	150.06'
Radius = 1525.00'	
(hh) S 50°30'31" E	6.95'
(ii) S 36°09'01" W	131.59'

Bearing	Distance
(jj) S 11°15'23" E	50.81'
(kk) S 40°26'16" E	92.46'
(ll) N 50°30'31" W	106.85'
Arc = 46.97'	
Chord = N 5°39'20" W	42.32'
Radius = 30.00'	

Bearing	Distance
(mm) Arc = 94.36'	
Chord = N 29°32'46" E	94.34'
Radius = 1530.00'	
(nn) N 27°46'46" E	20.85'
(oo) S 62°13'14" E	32.96'
(pp) N 50°30'31" W	10.23'

Bearing	Distance
(rr) N 62°13'14" W	24.31'



SCALE: 1"=50'

KY 79
 PLAN SHEET
 STA. 650+00 TO STA. 665+00

FILE NAME: P:\FRS2302\CADD\ROADWAY PLANS\R3100P.L.DGN

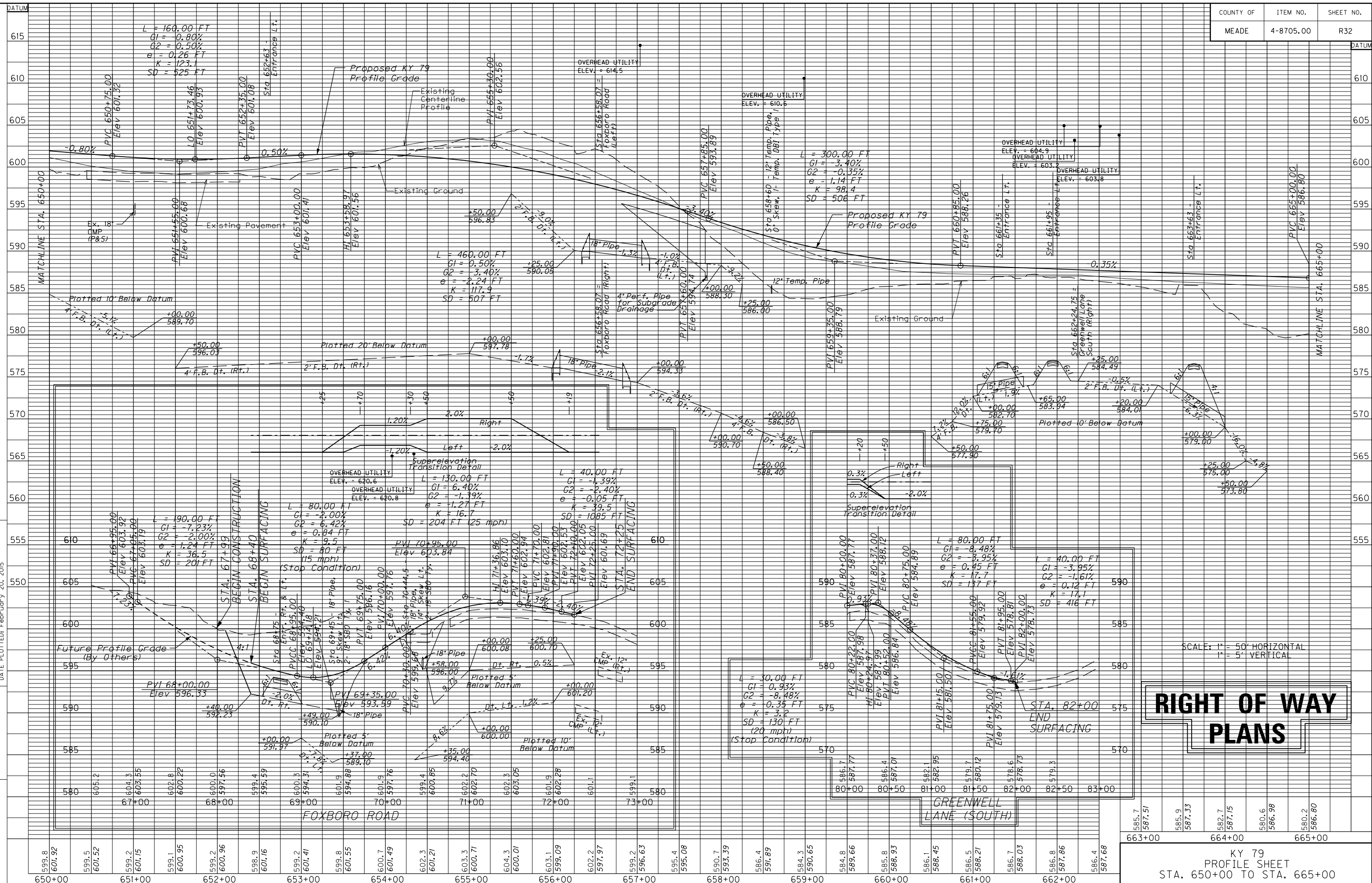
USER: mckee
 DATE PLOTTED: February 20, 2015

E-SHEET NAME:

MicroStation v8.11.9.459

MicroStation v8.11.9.459 E-SHEET NAME: FILE NAME: P:\PRB2302\CADD\ROADWAY PLANS\RO3200PF.DGN USER: mckee DATE PLOTTED: February 20, 2015

COUNTY OF	ITEM NO.	SHEET NO.
MAEAD	4-8705.00	R32



**RIGHT OF WAY
PLANS**

SCALE: 1" = 50' HORIZONTAL
1" = 5' VERTICAL

KY 79
PROFILE SHEET
STA. 650+00 TO STA. 665+00

599.8 601.92	599.5 601.52	599.2 601.15	599.1 600.95	599.2 600.96	598.9 601.16	599.2 601.41	599.8 601.55	600.7 601.49	602.3 601.21	603.3 600.71	604.3 600.01	603.1 599.09	602.2 597.97	599.2 596.63	595.4 595.08	590.7 593.39	586.4 591.89	584.3 590.65	584.8 589.66	585.8 588.93	586.1 588.45	586.5 588.21	586.7 588.03	586.8 587.86	586.4 587.68	585.7 587.51	585.9 587.33	582.7 587.15	580.6 586.98	580.2 586.80	663+00	664+00	665+00
-----------------	-----------------	-----------------	-----------------	-----------------	-----------------	-----------------	-----------------	-----------------	-----------------	-----------------	-----------------	-----------------	-----------------	-----------------	-----------------	-----------------	-----------------	-----------------	-----------------	-----------------	-----------------	-----------------	-----------------	-----------------	-----------------	-----------------	-----------------	-----------------	-----------------	-----------------	--------	--------	--------

Bearing	Distance
(a) N 62°13'14" W	87.66'
Arc = 55.68'	
(b) Chord = N 49°02'43" W 55.9'	Radius = 121.07'

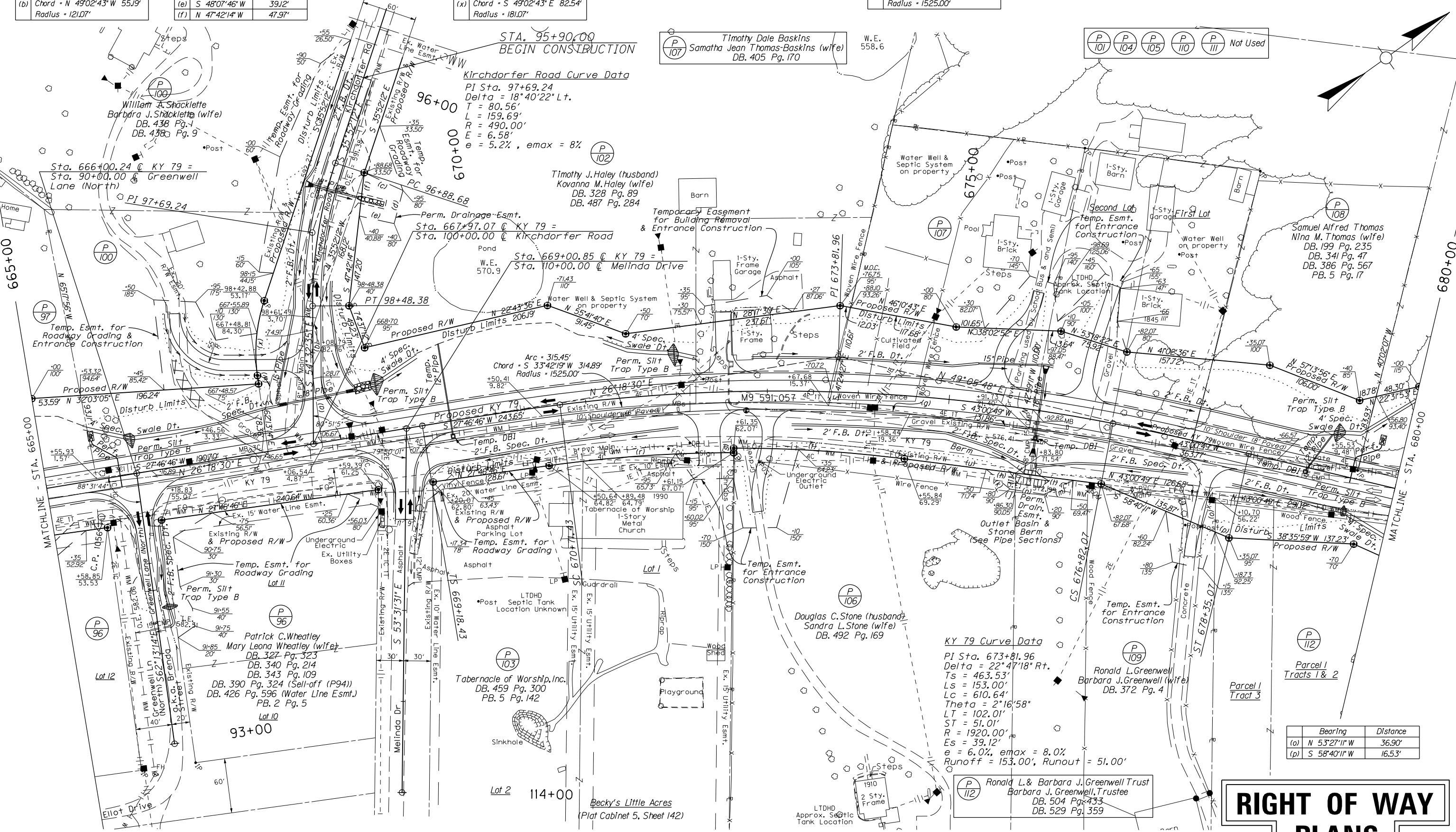
Bearing	Distance
(c) N 60°36'31" E	46.83'
(d) S 39°14'22" E	37.64'
(e) S 48°07'46" W	39.12'
(f) N 47°42'14" W	47.97'

Bearing	Distance
(w) S 62°13'14" E	9.30'
Arc = 83.27'	
(x) Chord = S 49°02'43" E 82.54'	Radius = 181.07'

Bearing	Distance
Arc = 90.03'	
(g) Chord = S 41°19'21" W 90.02'	Radius = 1525.00'

Bearing	Distance
(a) N 53°27'11" W	36.90'
(p) S 58°40'11" W	16.53'

FILE NAME: P:\R52302\CADD\ROADWAY PLANS\R03300PL.DGN
 USER: mckeele
 DATE PLOTTED: February 20, 2015
 E-SHEET NAME:
 MicroStation v8.11.9.459



STA. 95+90.00
BEGIN CONSTRUCTION

Kirchdorfer Road Curve Data
 PI Sta. 97+69.24
 Delta = 18°40'22" Lt.
 T = 80.56'
 L = 159.69'
 R = 490.00'
 E = 6.58'
 e = 5.2%, emax = 8%

KY 79 Curve Data
 PI Sta. 673+81.96
 Delta = 22°47'18" Rt.
 Ts = 463.53'
 Ls = 153.00'
 Lc = 610.64'
 Theta = 2°16'58"
 LT = 102.01'
 ST = 51.01'
 R = 1920.00'
 Es = 39.12'
 e = 6.0%, emax = 8.0%
 Runoff = 153.00', Runout = 51.00'

KY 79 Curve Data
 PI Sta. 673+81.96
 Delta = 22°47'18" Rt.
 Ts = 463.53'
 Ls = 153.00'
 Lc = 610.64'
 Theta = 2°16'58"
 LT = 102.01'
 ST = 51.01'
 R = 1920.00'
 Es = 39.12'
 e = 6.0%, emax = 8.0%
 Runoff = 153.00', Runout = 51.00'

RIGHT OF WAY PLANS

KY 79
PLAN SHEET
STA. 665+00 TO STA. 680+00



Bearing	Distance
(q) Not Used	
Arc = 203.41'	
(r) Chord = N 31°44'36" E 203.24'	Radius = 1470.00'
(s) N 53°32'50" W	5.00'

Bearing	Distance
Arc = 188.03'	
(t) Chord = N 39°21'43" E 187.90'	Radius = 1475.00'
(u) N 43°00'49" E	218.04'

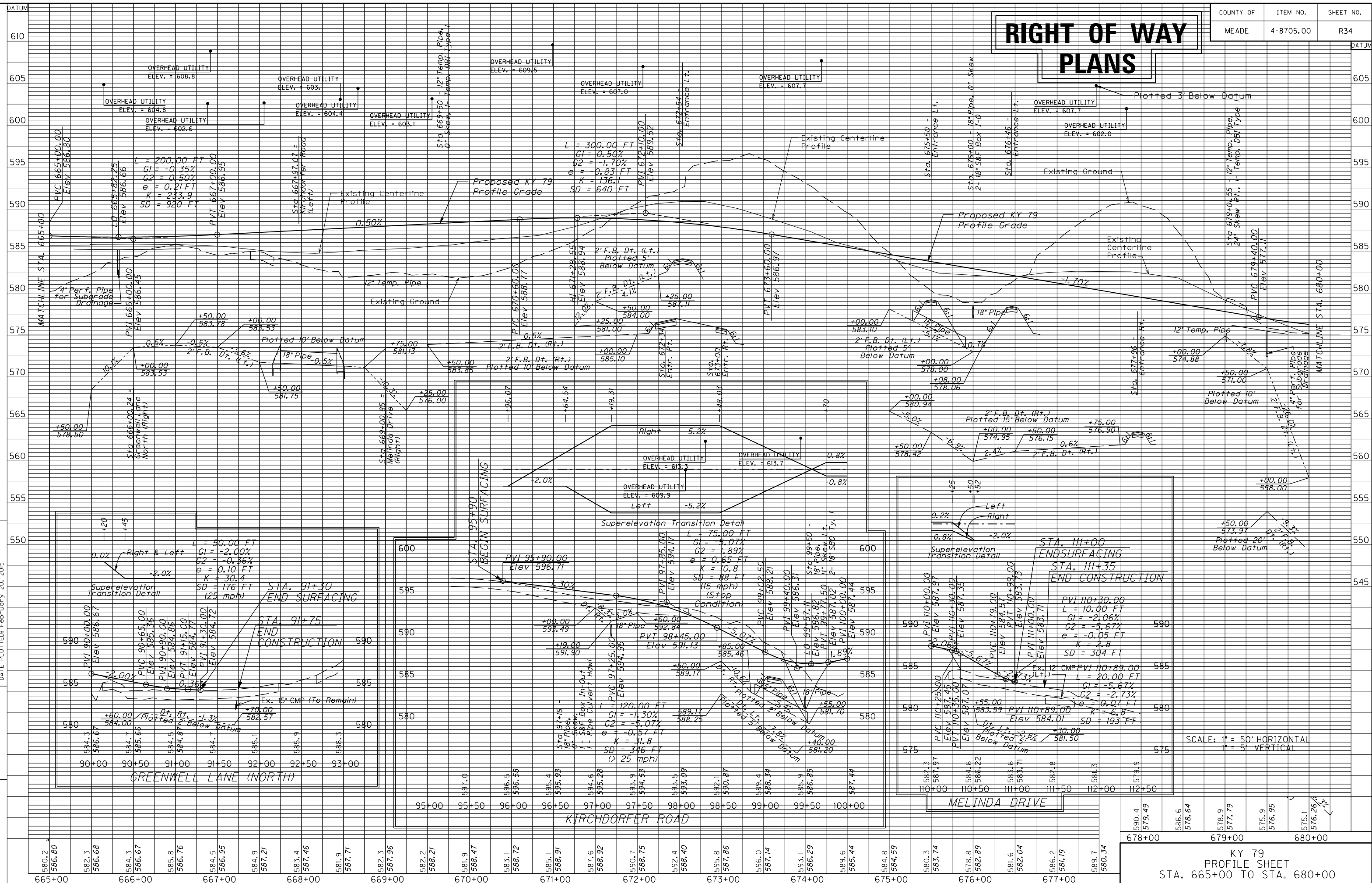
Bearing	Distance
(h) N 43°00'49" E	32.54'
(i) S 53°26'43" E	18.67'
(j) S 44°21'52" W	6.00'
(k) S 75°44'53" W	34.04'

Bearing	Distance
(l) N 43°00'49" E	63.80'
(m) S 09°53'06" W	35.33'
(n) S 44°21'52" W	32.12'

MicroStation v8.11.7.443 E-SHEET NAME: DATE PLOTTED: February 20, 2015 FILE NAME: P:\PR52302\CADD\ROADWAY PLANS\R03400PF.DGN

COUNTY OF	ITEM NO.	SHEET NO.
MAEDA	4-8705.00	R34

RIGHT OF WAY PLANS



SCALE: 1" = 50' HORIZONTAL
1" = 5' VERTICAL

KY 79
PROFILE SHEET
STA. 665+00 TO STA. 680+00

Bearing	Distance
(a) N 50°54'58" E	80.02'
(b) Arc - 81.04'	
(c) Chord - N 57°15'02" W 81.04'	Radius = 2340.00'
(d) N 58°14'34" W	103.37'
(e) S 35°55'24" W	53.51'

Bearing	Distance
(e) N 35°55'24" E	113.66'
(f) N 58°28'58" E	52.60'
(g) S 43°00'49" W	163.49'

Bearing	Distance
(h) N 31°45'26" E	300.0'
(i) S 58°14'34" E	110.49'
(j) S 35°55'24" W	300.8'
(k) N 31°45'26" E	300.0'
(l) S 58°14'34" E	112.67'
(m) S 35°55'24" W	300.8'

Bearing	Distance
(n) N 22°37'41" E	40.76'
(o) N 42°25'50" W	11.61'
(p) S 38°59'25" W	37.38'

Bearing	Distance
(q) N 39°59'54" W	65.56'
(r) N 59°23'43" E	110.3'
(s) S 42°25'50" E	56.92'
(t) S 22°37'41" W	14.98'

Bearing	Distance
(u) S 22°37'41" W	21.11'
(v) S 36°46'32" W	70.00'
(w) N 72°09'55" E	36.80'
(x) S 38°59'25" W	122.74'

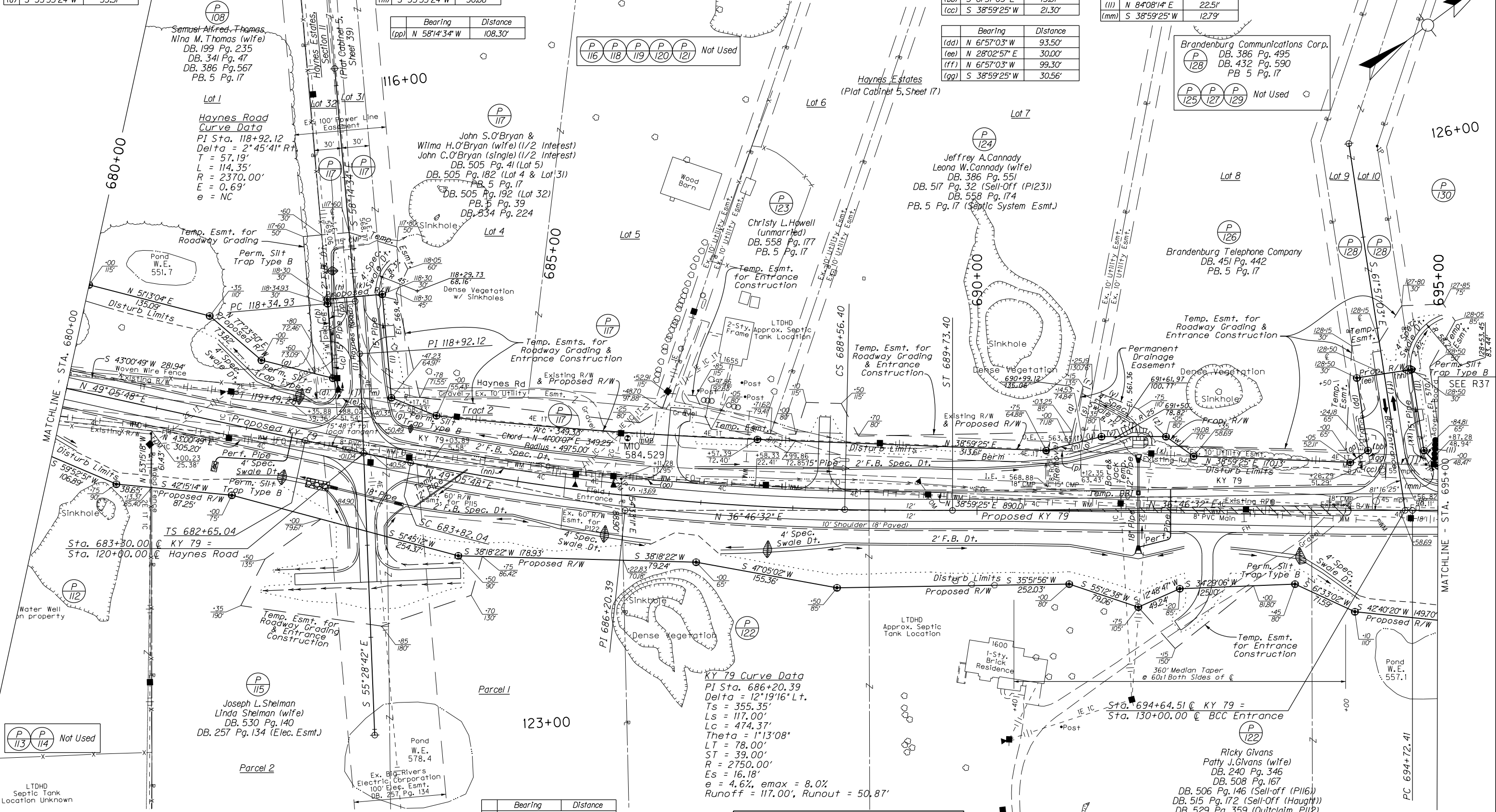
Bearing	Distance
(y) N 59°23'43" E	53.97'
(z) N 81°46'32" E	42.43'

Bearing	Distance
(aa) N 2°53'07" E	23.11'
(ab) S 61°57'03" E	13.87'
(ac) S 38°59'25" W	21.30'
(ad) N 61°57'03" W	93.50'
(ae) N 28°02'57" E	30.00'
(af) N 61°57'03" W	99.30'
(ag) S 38°59'25" W	30.56'

Bearing	Distance
(hh) N 28°02'57" E	30.00'
(hi) S 61°57'03" E	105.10'
(hj) S 38°59'25" W	30.56'
(hk) N 61°57'03" W	16.25'
(hl) N 84°08'14" E	22.51'
(hm) S 38°59'25" W	12.79'

COUNTY OF	ITEM NO.	SHEET NO.
MEADE	4-8705.00	R35

FILE NAME: P:\RPS2302\CADD\ROADWAY PLANS\R03500PL.DGN
 USER: harbour
 DATE PLOTTED: February 20, 2015
 E-SHEET NAME:
 MicroStation v8.11.7.443



Bearing	Distance
(i) N 58°14'34" W	103.37'
(j) S 35°55'24" W	53.51'

Bearing	Distance
(pp) N 58°14'34" W	108.30'

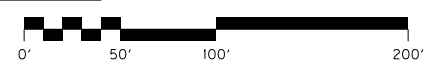
Bearing	Distance
(P 116)	Not Used
(P 118)	Not Used
(P 119)	Not Used
(P 120)	Not Used
(P 121)	Not Used

Bearing	Distance
(aa) N 2°53'07" E	23.11'
(ab) S 61°57'03" E	13.87'
(ac) S 38°59'25" W	21.30'
(ad) N 61°57'03" W	93.50'
(ae) N 28°02'57" E	30.00'
(af) N 61°57'03" W	99.30'
(ag) S 38°59'25" W	30.56'

Bearing	Distance
(P 125)	Not Used
(P 127)	Not Used
(P 129)	Not Used

Bearing	Distance
Arc - 206.84'	
(nn) Chord - N 41°50'04" E 206.82'	Radius = 5025.00'
Arc - 146.03'	
(oo) Chord - N 39°49'22" E 146.02'	Radius = 5025.00'

RIGHT OF WAY PLANS

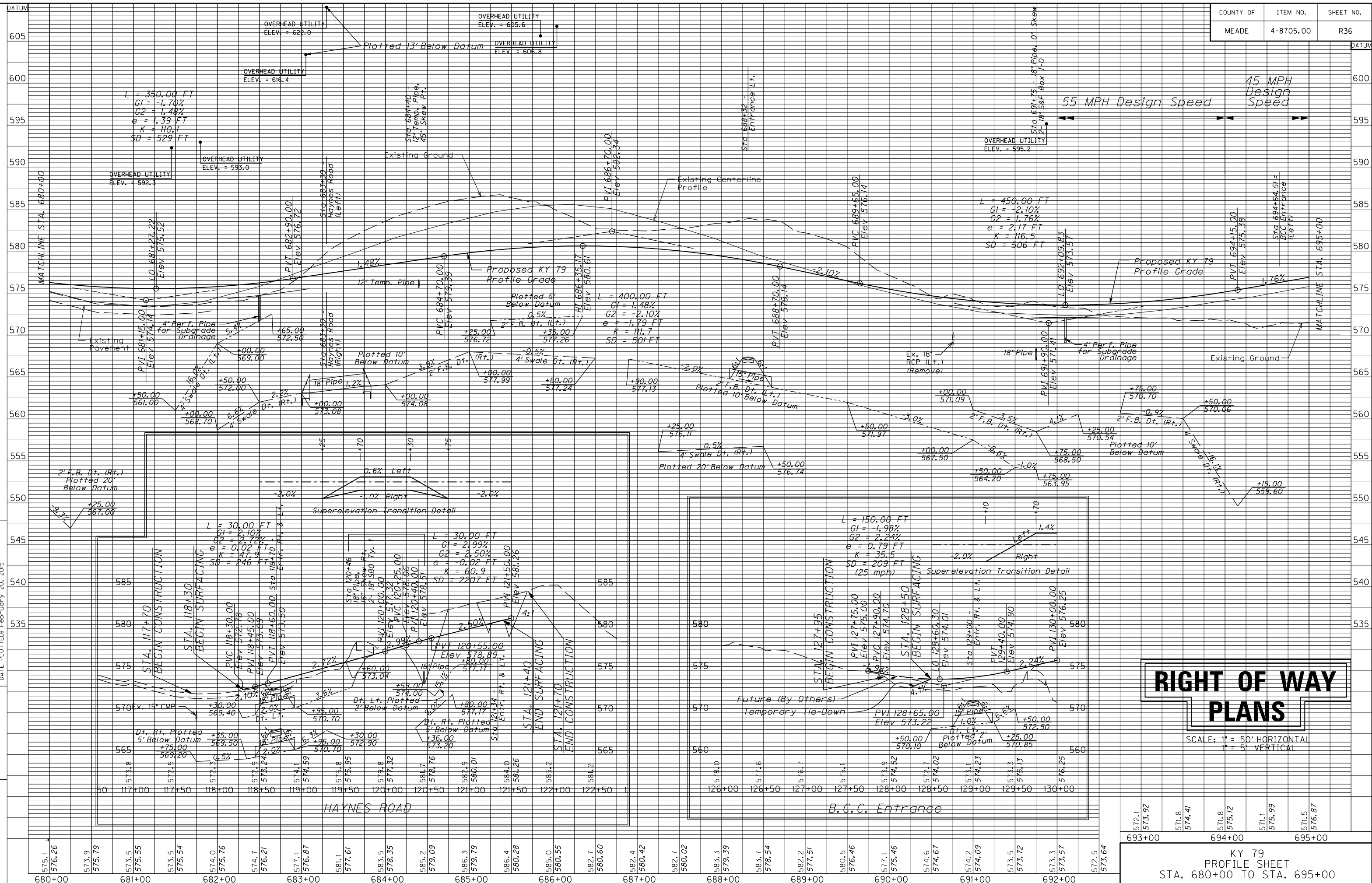


SCALE: 1"=50'

KY 79
 PLAN SHEET
 STA. 680+00 TO STA. 695+00

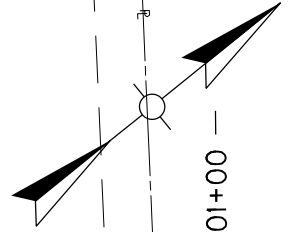
MicroStation v8.11.7.443 E-SHEET NAME: FILE NAME: P:\PR52302\CADD\ROADWAY PLANS\RO3600PF.DGN USER: harbour DATE PLOTTED: February 20, 2015

COUNTY OF	ITEM NO.	SHEET NO.
MEADE	4-8705.00	R36



572.1	573.92	571.8	571.41	571.8	575.12	571.1	575.99	571.5	576.87
693+00		694+00		695+00					

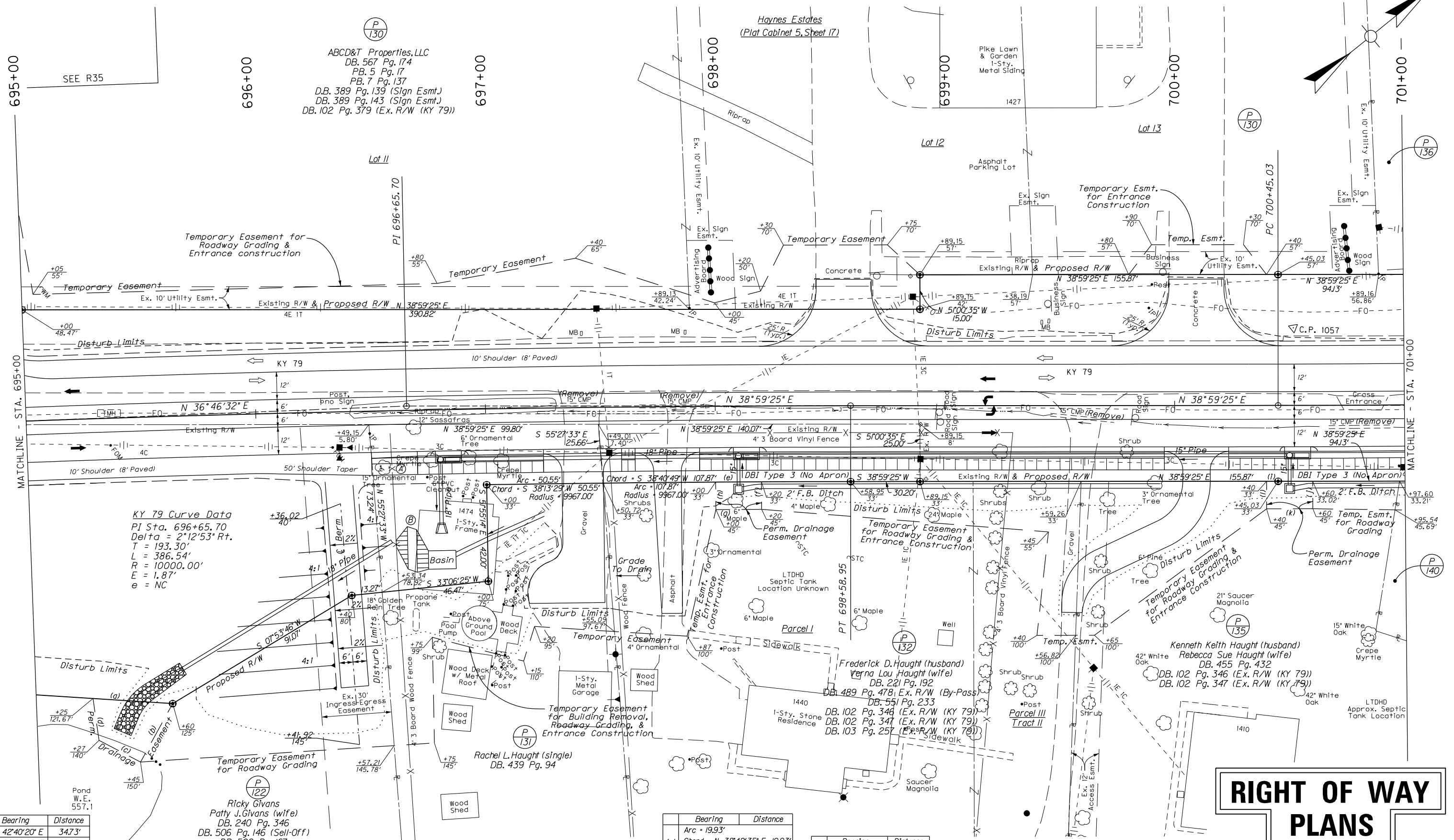
(P 133) (P 134) Not Used



FILE NAME: P:\RPS2302\CADD\ROADWAY PLANS\R03700PL.DGN
 USER: mckee
 DATE PLOTTED: February 20, 2015
 E-SHEET NAME:
 MicroStation v8.11.9.459

MATCHLINE - STA. 695+00

MATCHLINE - STA. 701+00



KY 79 Curve Data
 PI Sta. 696+65.70
 Delta = 2°12'53" Rt.
 T = 193.30'
 L = 386.54'
 R = 10000.00'
 E = 1.87'
 e = NC

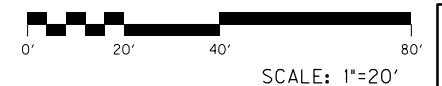
Bearing	Distance
(a) N 42°40'20" E	347.3'
(b) S 22°09'02" E	29.05'
(c) S 66°33'04" W	20.36'
(d) N 59°03'54" W	18.43'

Ricky Givans
 Patty J. Givans (wife)
 DB. 240 Pg. 346
 DB. 506 Pg. 146 (Sell-Off)
 DB. 508 Pg. 167
 DB. 515 Pg. 172 (Sell-Off (Haught))
 DB. 529 Pg. 359 (Quitclaim (PII2))
 DB. 530 Pg. 140 (Sell-Off (PII5))
 DB. 257 Pg. 134 (Elec. Esmt.)

- (A) Ramp curb up from flush to 6' height over 20 feet.
- (B) Permanent Silt Trap Type B

Bearing	Distance
(e) Arc = 19.93'	
(e) Chord = N 38°42'35" E 19.93'	
Radius = 9967.00'	
(f) S 51°13'58" E	12.00'
(g) S 38°42'35" W	19.91'
(h) N 51°20'51" W	12.00'

Bearing	Distance
(i) N 38°59'25" E	20.07'
(j) S 5°08'15" E	11.98'
(k) S 38°56'32" W	20.00'
(l) N 5°00'35" W	12.00'

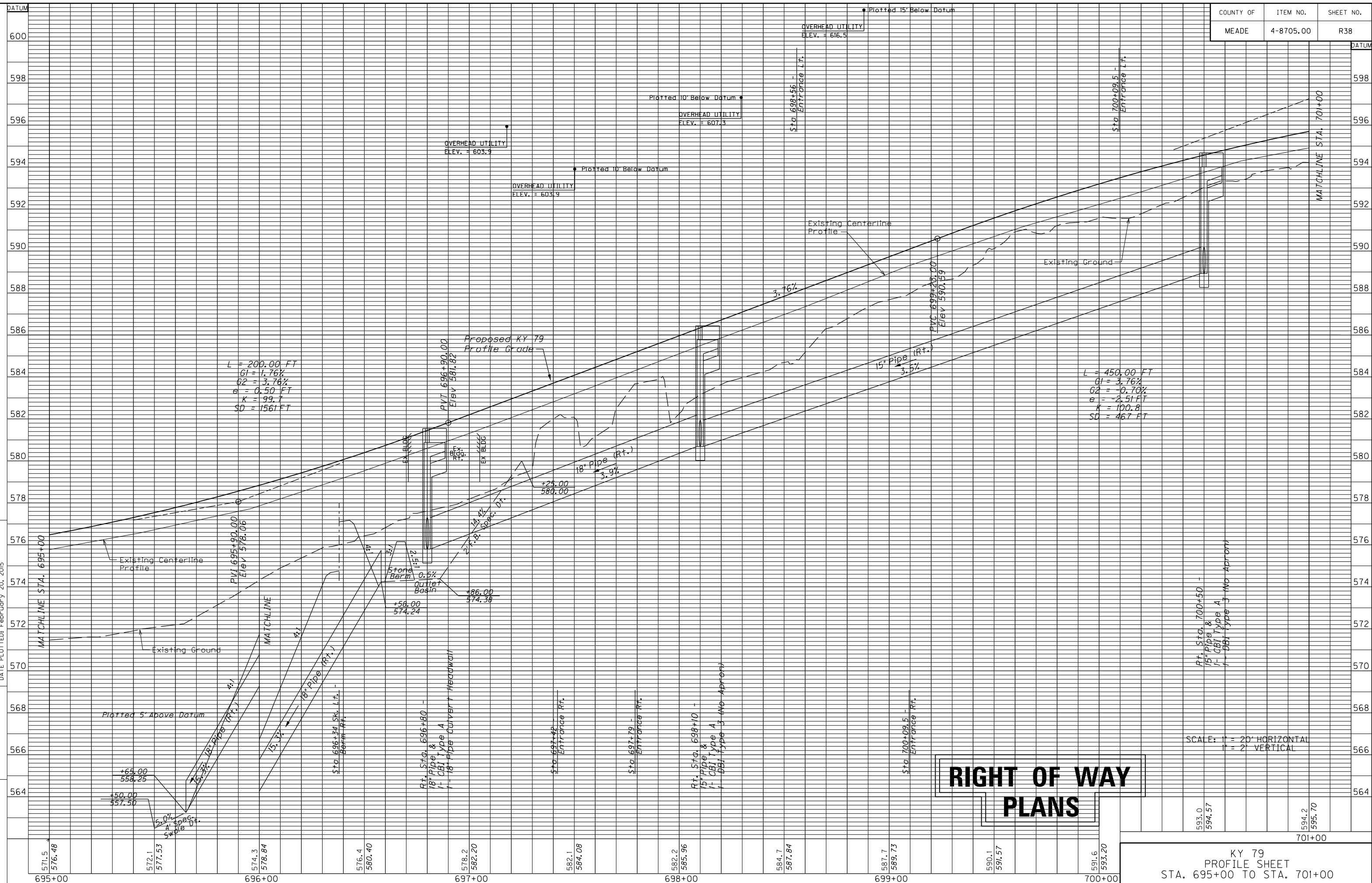


RIGHT OF WAY PLANS

KY 79
 PLAN SHEET
 STA. 695+00 TO STA. 701+00

MicroStation v8.11.9.459 E-SHEET NAME: USER: mckee DATE PLOTTED: February 20, 2015 FILE NAME: P:\PR52302\CADD\ROADWAY PLANS\R03800PF.DGN

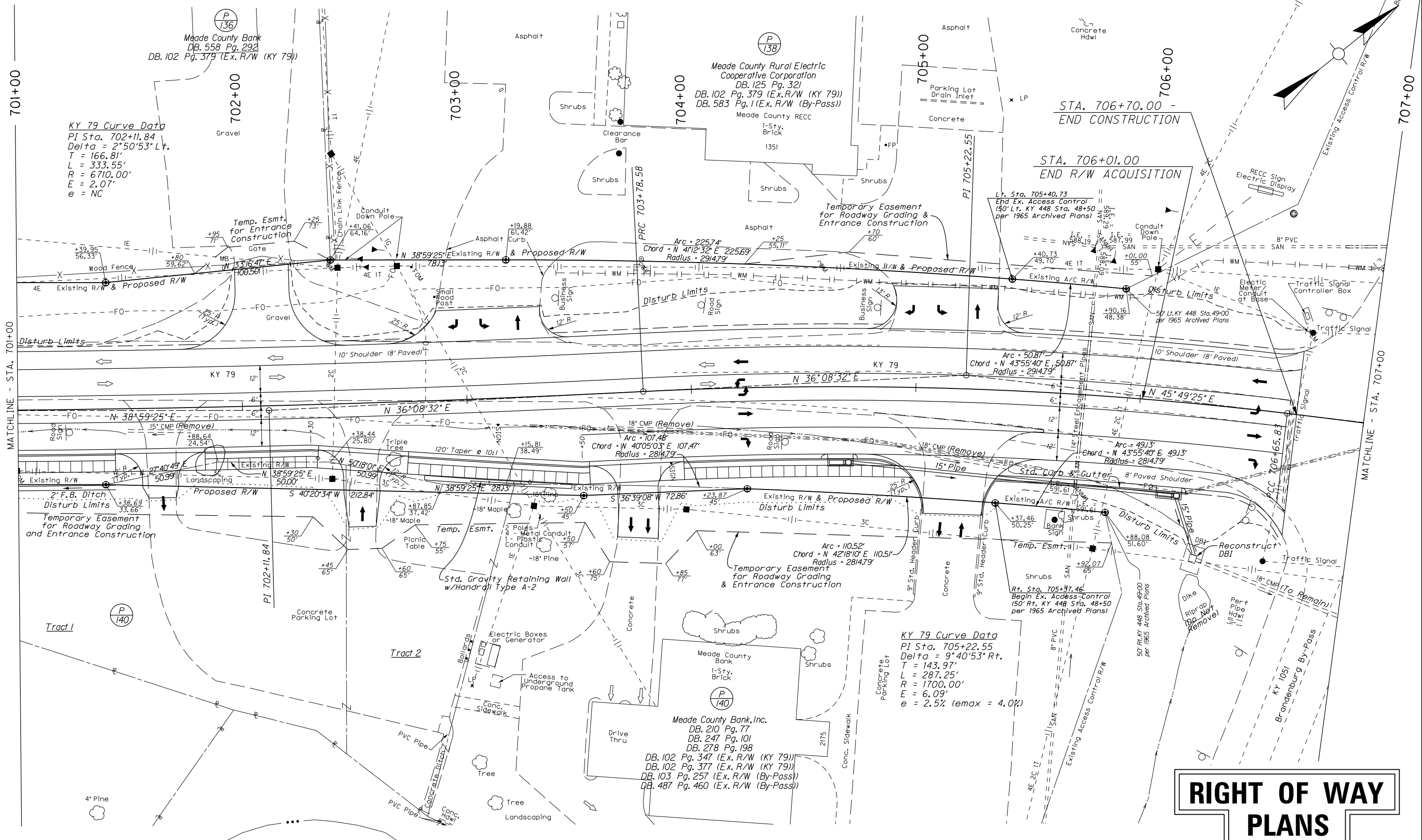
COUNTY OF	ITEM NO.	SHEET NO.
MEADE	4-8705.00	R38



RIGHT OF WAY PLANS

SCALE: 1" = 20' HORIZONTAL
1" = 2' VERTICAL

KY 79
PROFILE SHEET
STA. 695+00 TO STA. 701+00



RIGHT OF WAY PLANS

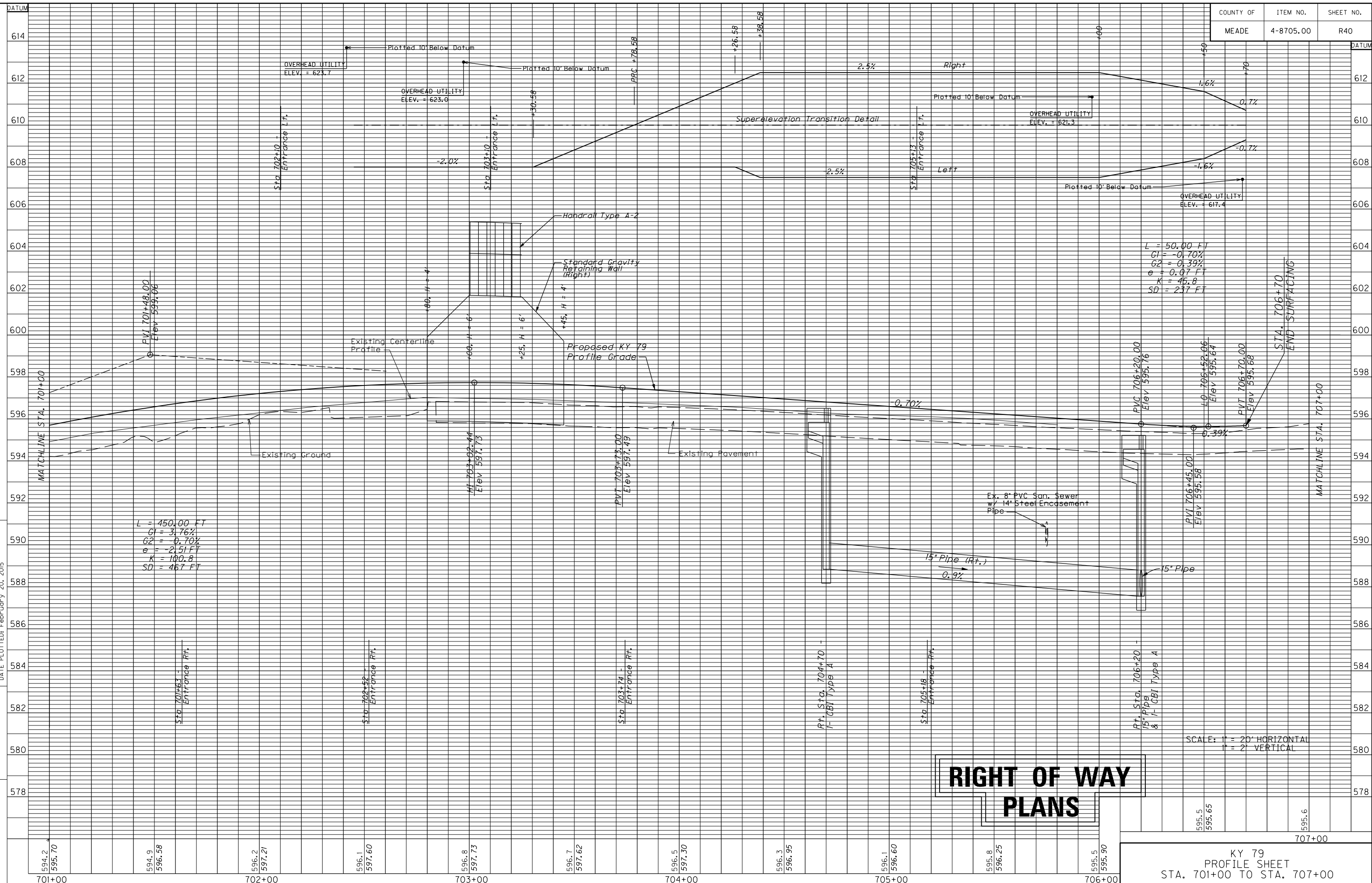
KY 79
PLAN SHEET
STA. 701+00 TO STA. 707+00



FILE NAME: P:\R23202\CADD\ROADWAY PLANS\R03900PL.DGN
 USER: mckeel
 DATE PLOTTED: February 20, 2015
 E-SHEET NAME:
 MicroStation v8.11.9.459

MicroStation v8.11.9.459 E-SHEET NAME: USER: mrcobison DATE PLOTTED: February 20, 2015 FILE NAME: P:\PR52302\CADD\ROADWAY PLANS\R04000PF.DGN

COUNTY OF	ITEM NO.	SHEET NO.
MEADE	4-8705.00	R40



**RIGHT OF WAY
PLANS**

SCALE: 1" = 20' HORIZONTAL
1" = 2' VERTICAL

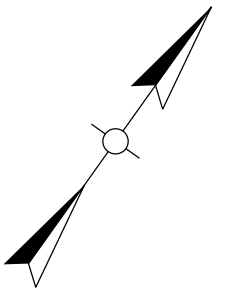
KY 79
PROFILE SHEET
STA. 701+00 TO STA. 707+00

L = 150.00 FT
G1 = 3.76%
G2 = 0.70%
e = -2.51 FT
K = 100.8
SD = 467 FT

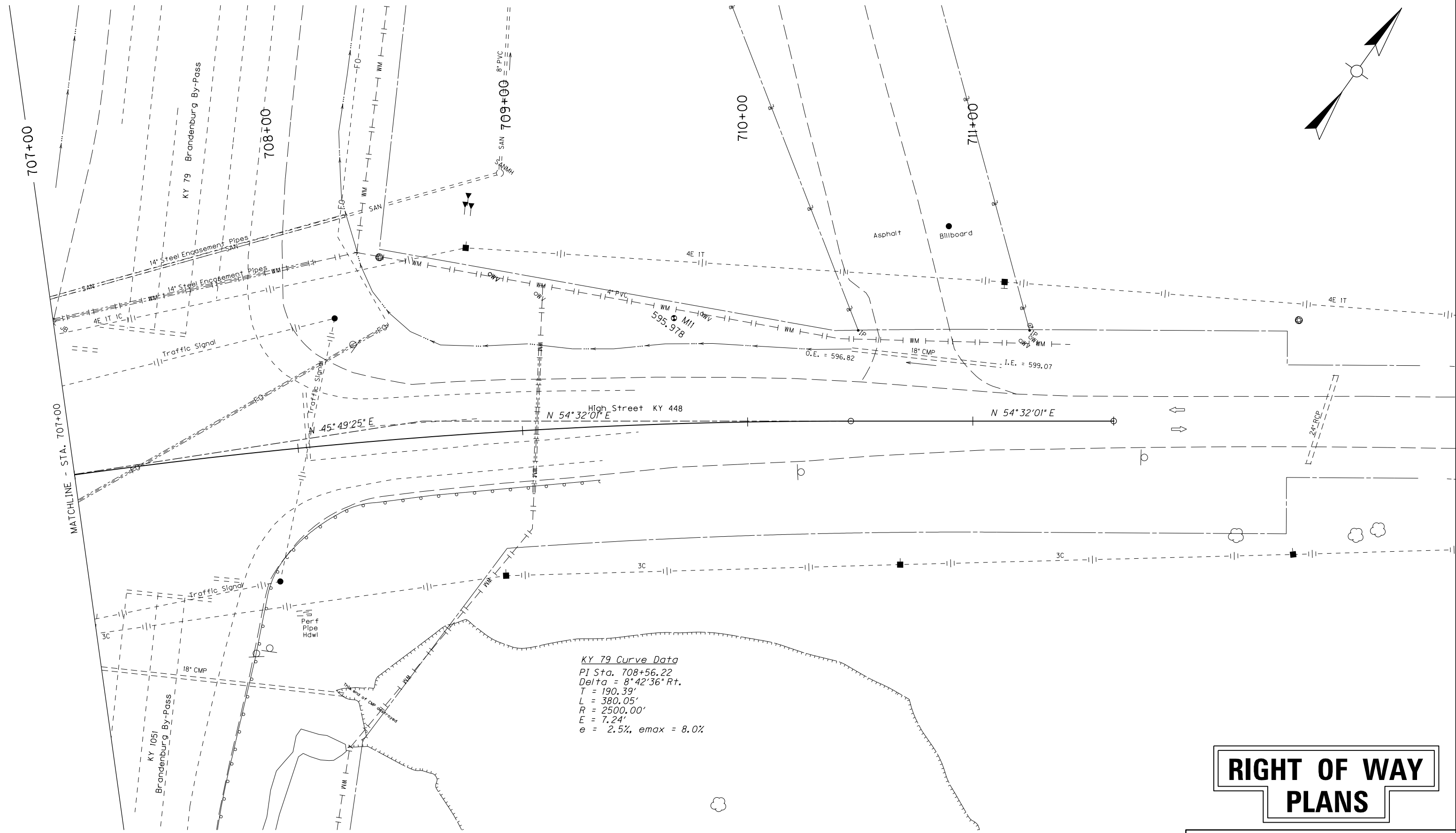
L = 50.00 FT
G1 = -0.70%
G2 = 0.39%
e = 0.07 FT
K = 45.8
SD = 237 FT

594.2 595.70	594.9 596.58	596.2 597.21	596.1 597.60	596.8 597.73	596.7 597.62	596.5 597.30	596.3 596.95	596.1 596.60	595.8 596.25	595.5 595.90	595.5 595.65	595.6
701+00		702+00		703+00		704+00		705+00		706+00		707+00

COUNTY OF	ITEM NO.	SHEET NO.
MEADE	4-8705.00	R41



MicroStation v8.1i.7.443 E-SHEET NAME: USER: harbour DATE PLOTTED: February 20, 2015 FILE NAME: P:\R52302\CADD\ROADWAY PLANS\R04100PL.DGN



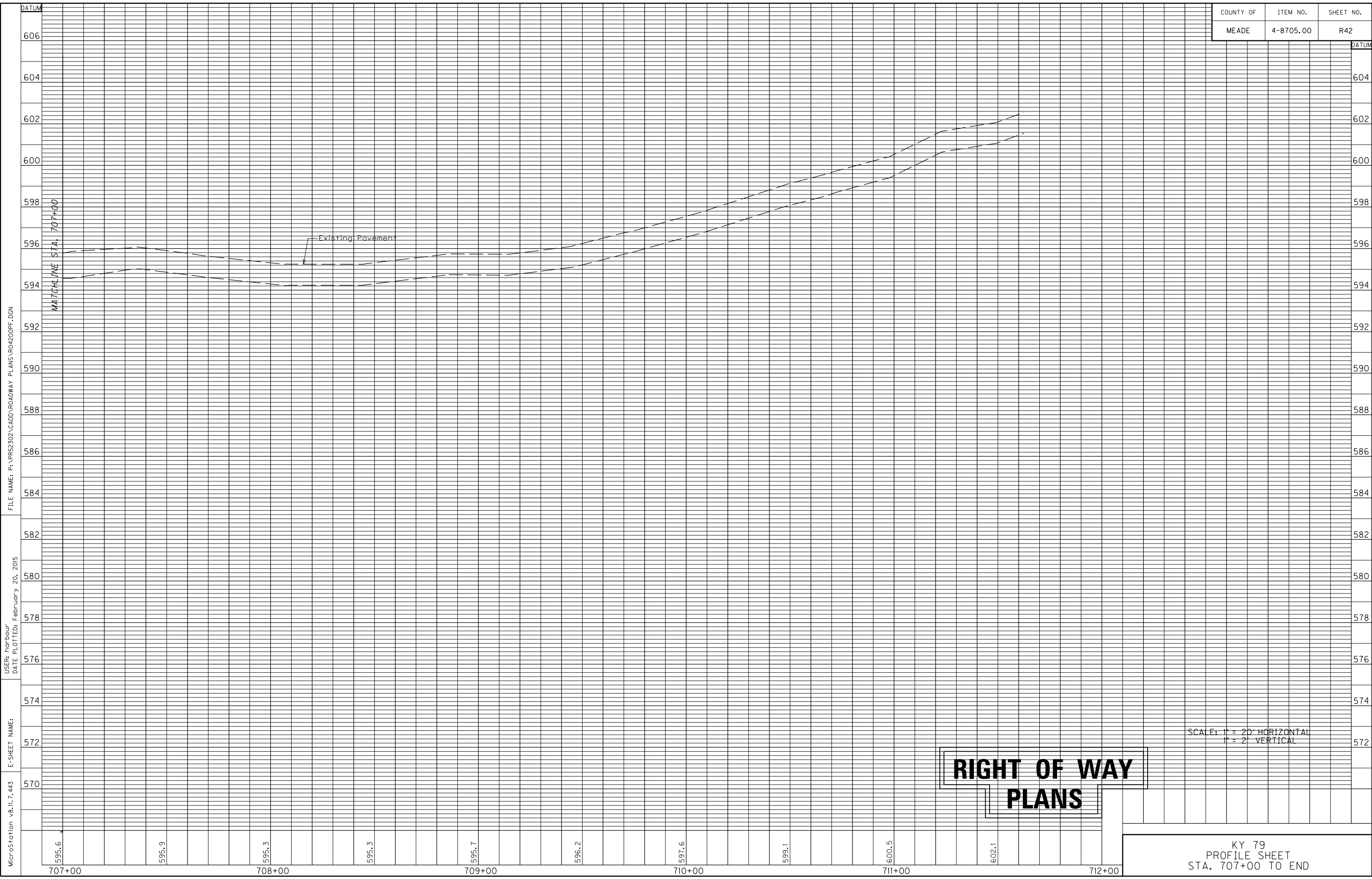
KY 79 Curve Data
 PI Sta. 708+56.22
 Delta = 8°42'36" Rt.
 T = 190.39'
 L = 380.05'
 R = 2500.00'
 E = 7.24'
 e = 2.5%, emax = 8.0%

RIGHT OF WAY PLANS

KY 79
 PLAN SHEET
 STA. 707+00 TO END



COUNTY OF	ITEM NO.	SHEET NO.
MEADE	4-8705.00	R42



MicroStation v8.1i.7.443 E-SHEET NAME: FILE NAME: P:\PR52302\CADD\ROADWAY PLANS\RO4200PF.DGN
 USER: harbour DATE PLOTTED: February 20, 2015

DATUM 606 604 602 600 598 596 594 592 590 588 586 584 582 580 578 576 574 572 570

**RIGHT OF WAY
PLANS**

SCALE: 1" = 20' HORIZONTAL
 1" = 2' VERTICAL

KY 79
 PROFILE SHEET
 STA. 707+00 TO END

595.6 595.9 595.3 595.3 595.7 596.2 597.6 599.1 600.5 602.1
 707+00 708+00 709+00 710+00 711+00 712+00

FILE NAME: P:\PRB2302\CADD\ROADWAY PLANS\R04300PL.DGN
 USER: mckee
 DATE PLOTTED: February 20, 2015
 E-SHEET NAME:
 MicroStation v8.11.9.459

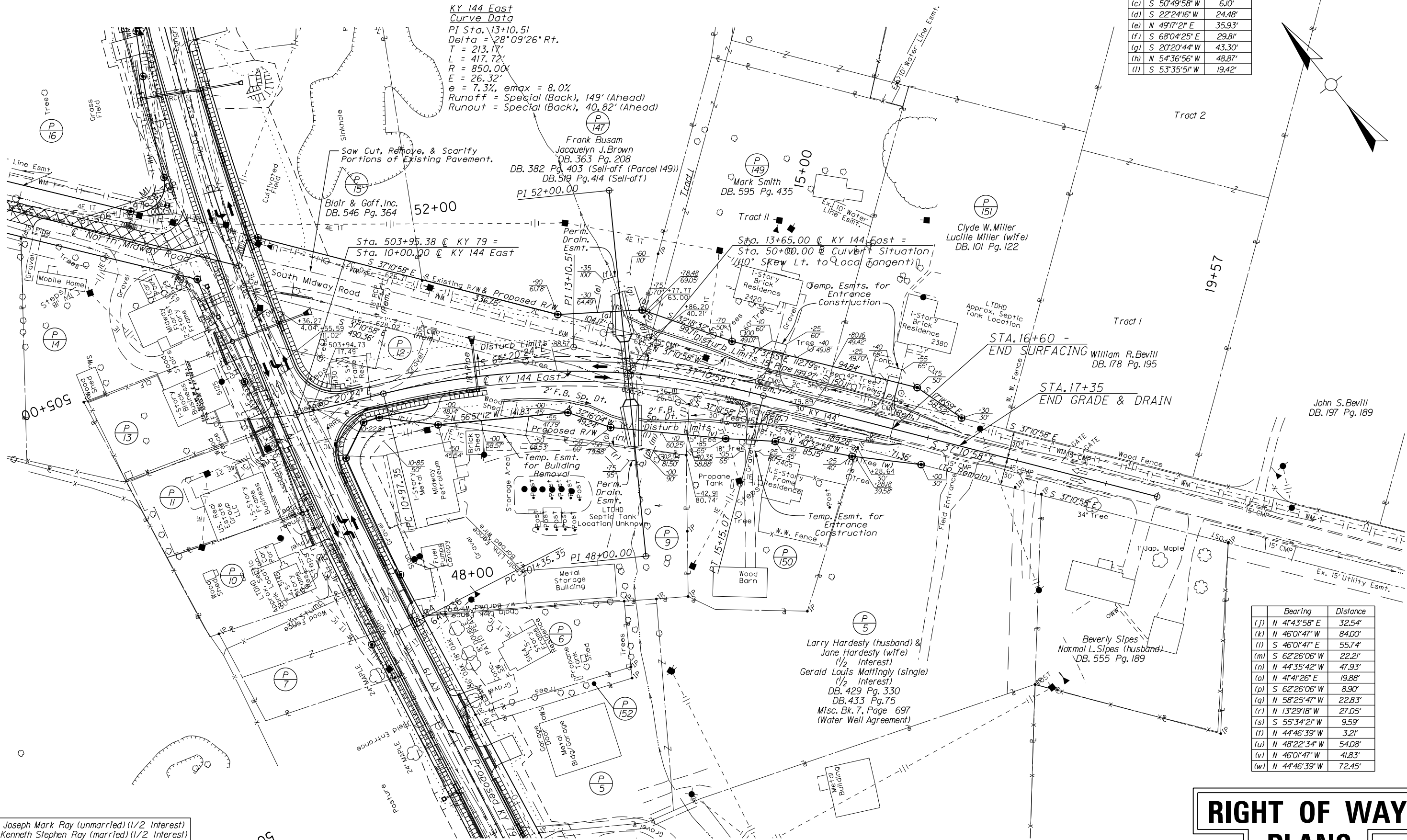
(P 12) David B. Dalley
 Jonell M. Dalley (wife)
 DB. 471 Pg. 96

(P 148) Not Used

Bearing	Distance
(a) S 54°36'56" E	91.92'
(b) S 32°18'32" E	3.88'
(c) S 50°49'58" W	6.10'
(d) S 22°24'16" W	24.48'
(e) N 49°17'21" E	35.93'
(f) S 68°04'25" E	29.81'
(g) S 20°20'44" W	43.30'
(h) N 54°36'56" W	48.87'
(i) S 53°35'51" W	19.42'

COUNTY OF	ITEM NO.	SHEET NO.
MEADE	4-8705.00	R43

**KY 144 East
 Curve Data**
 PI Sta. 13+10.51
 Delta = 28°09'26" Rt.
 T = 213.17'
 L = 417.72'
 R = 850.00'
 E = 26.32'
 e = 7.3%, e_{max} = 8.0%
 Runoff = Special (Back), 149' (Ahead)
 Runout = Special (Back), 40.82' (Ahead)



Bearing	Distance
(j) N 41°43'58" E	32.54'
(k) N 46°01'47" W	84.00'
(l) S 46°01'47" E	55.74'
(m) S 62°26'06" W	22.21'
(n) N 44°35'42" W	47.93'
(o) N 41°41'26" E	19.88'
(p) S 62°26'06" W	8.90'
(q) N 58°25'47" W	22.83'
(r) N 13°29'18" W	27.05'
(s) S 55°34'21" W	9.59'
(t) N 44°46'39" W	3.21'
(u) N 48°22'34" W	54.08'
(v) N 46°01'47" W	41.83'
(w) N 44°46'39" W	72.45'

RIGHT OF WAY PLANS

KY 144 EAST
 PLAN SHEET
 STA. 10+00 TO END



(P 150) Joseph Mark Ray (unmarried) (1/2 Interest)
 Kenneth Stephen Ray (married) (1/2 Interest)
 DB. 585 Pg. 425

(P 9) Midway Petroleum Co., Inc.
 DB. 282 Pg. 250
 DB. 377 Pg. 208
 DB. 555 Pg. 401

(P 5) Larry Hardesty (husband) &
 Jane Hardesty (wife)
 (1/2 Interest)
 Gerald Louis Mattingly (single)
 (1/2 Interest)
 DB. 429 Pg. 330
 DB. 433 Pg. 75
 Misc. Bk. 7, Page 697
 (Water Well Agreement)

Beverly Sipes
 Norma L. Sipes (husband)
 DB. 555 Pg. 189

Blair & Goff, Inc.
 DB. 546 Pg. 364

Frank Busam
 Jacquelyn J. Brown
 DB. 363 Pg. 208
 DB. 382 Pg. 403 (Sell-off (Parcel 149))
 DB. 519 Pg. 414 (Sell-off)

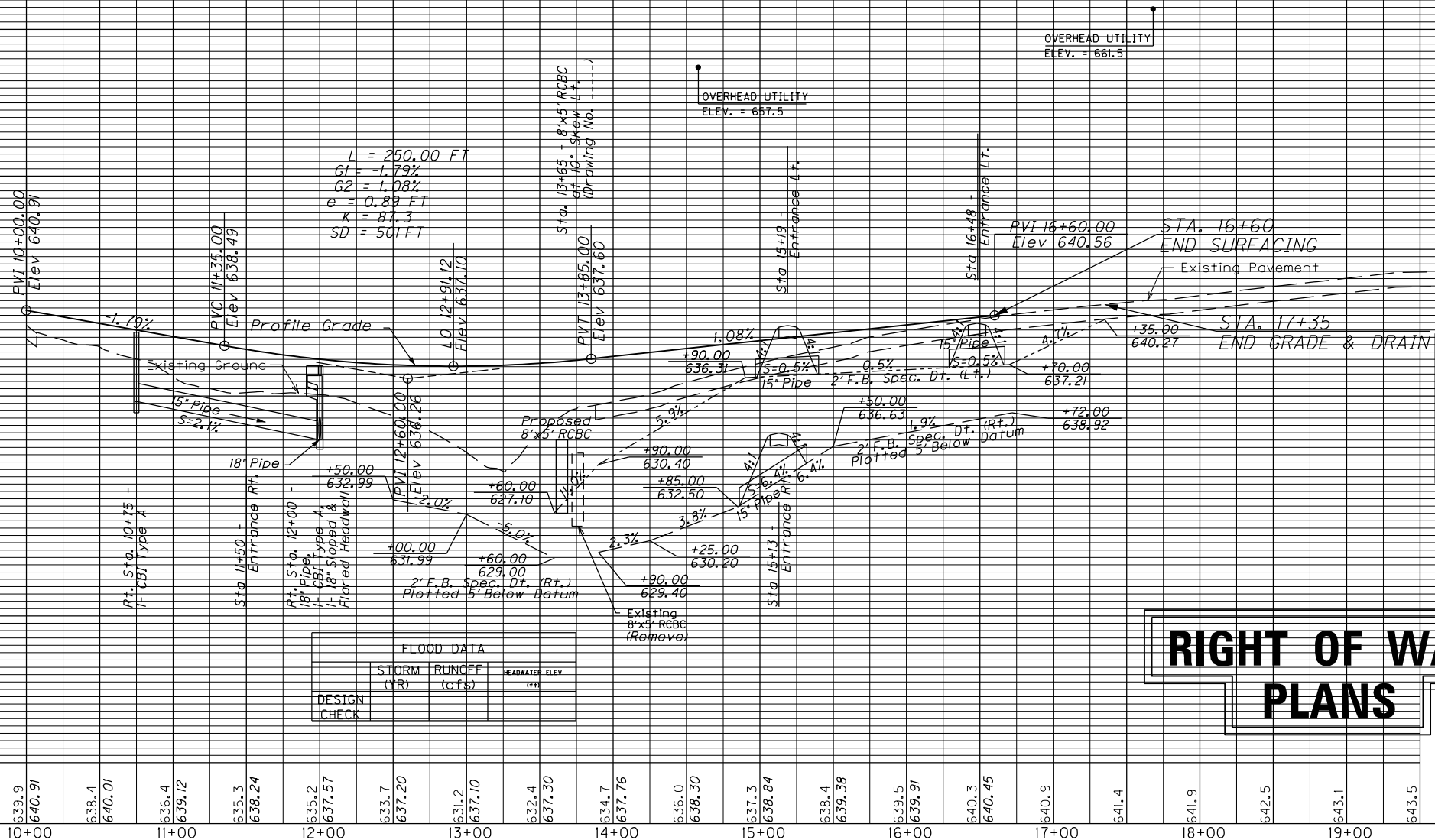
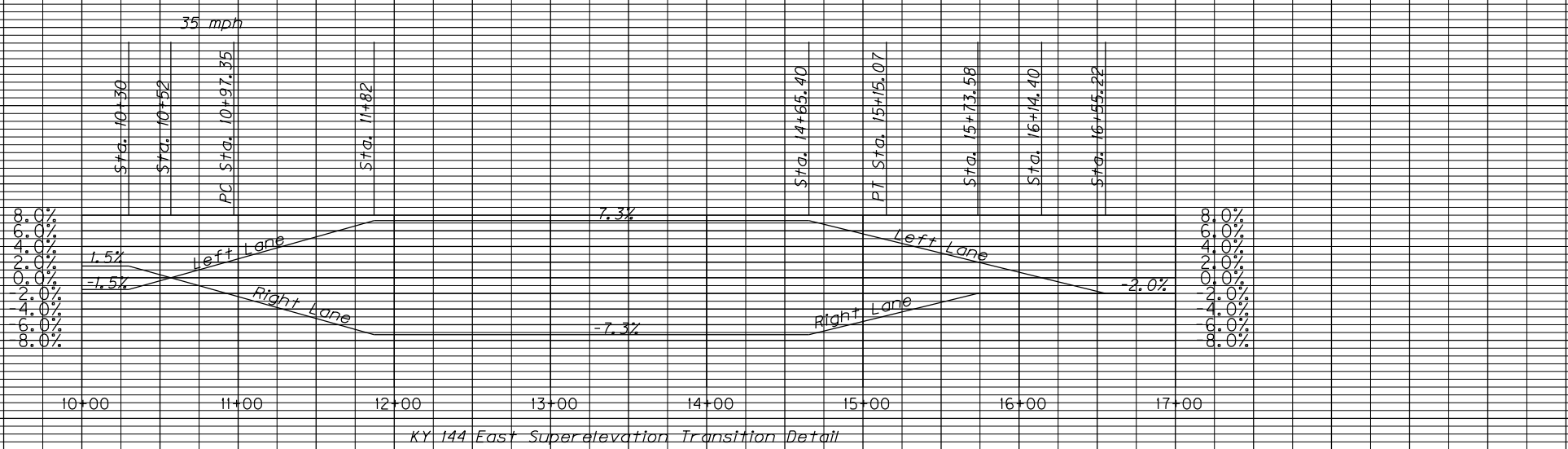
Mark Smith
 DB. 595 Pg. 435

Clyde W. Miller
 Lucille Miller (wife)
 DB. 101 Pg. 122

William R. Beville
 DB. 178 Pg. 195

John S. Beville
 DB. 197 Pg. 189

MicroStation v8.1i.9.459 E-SHEET NAME: DATE PLOTTED: February 20, 2015 USER: mckeel FILE NAME: P:\PR52302\CADD\ROADWAY PLANS\R04400PF.DGN



EARTHWORK QUANTITIES	
SHEET TOTALS	CUBIC YARDS
KY 144 EAST	
COM.	0
EMB. IN PLACE	0
EMB. FOUND. BENCH	0

FLOOD DATA		
DESIGN CHECK	STORM (YR)	RUNOFF (cfs)
		HEADWATER ELEV (ft)

RIGHT OF WAY
PLANS

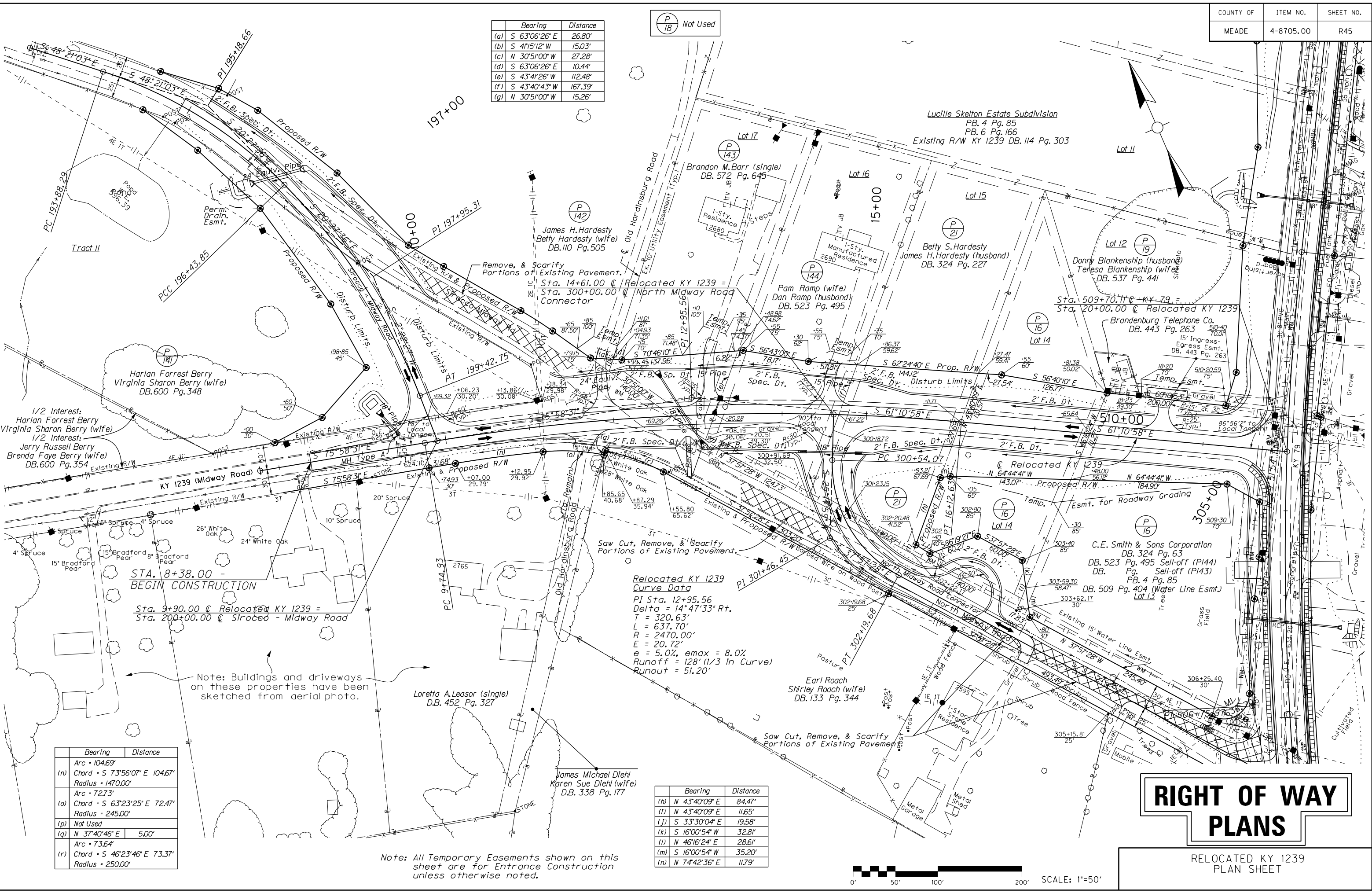
SCALE: 1" = 50' HORIZONTAL
1" = 5' VERTICAL

20+00
 KY 144 EAST
 PROFILE SHEET

Bearing	Distance
(a) S 63°06'26" E	26.80'
(b) S 41°15'12" W	15.03'
(c) N 30°5'00" W	27.28'
(d) S 63°06'26" E	10.44'
(e) S 43°41'26" W	112.48'
(f) S 43°40'43" W	167.39'
(g) N 30°5'00" W	15.26'

(P 18) Not Used

FILE NAME: P:\FRS2302\CADD\ROADWAY PLANS\ROAD500PL.DGN
 USER: harbour
 DATE PLOTTED: February 20, 2015
 E-SHEET NAME:
 MicroStation v8.11.7.443



STA. 8+38.00 -
 BEGIN CONSTRUCTION
 Sta. 9+90.00 @ Relocated KY 1239 =
 Sta. 200+00.00 @ Siroced - Midway Road

Relocated KY 1239
 Curve Data
 PI Sta. 12+95.56
 Delta = 14°47'33" Rt.
 T = 320.63'
 L = 637.70'
 R = 2470.00'
 E = 20.72'
 e = 5.0%, emax = 8.0%
 Runoff = 128' (1/3 in Curve)
 Runout = 51.20'

Bearing	Distance
Arc = 104.69'	
(n) Chord = S 73°56'07" E 104.67'	
Radius = 1470.00'	
Arc = 72.73'	
(o) Chord = S 63°23'25" E 72.47'	
Radius = 245.00'	
(p) Not Used	
(q) N 37°40'46" E	5.00'
Arc = 73.64'	
(r) Chord = S 46°23'46" E 73.37'	
Radius = 250.00'	

Bearing	Distance
(h) N 43°40'09" E	84.47'
(i) N 43°40'09" E	11.65'
(j) S 33°30'04" E	19.58'
(k) S 16°00'54" W	32.81'
(l) N 46°16'24" E	28.61'
(m) S 16°00'54" W	35.20'
(n) N 74°42'36" E	11.79'

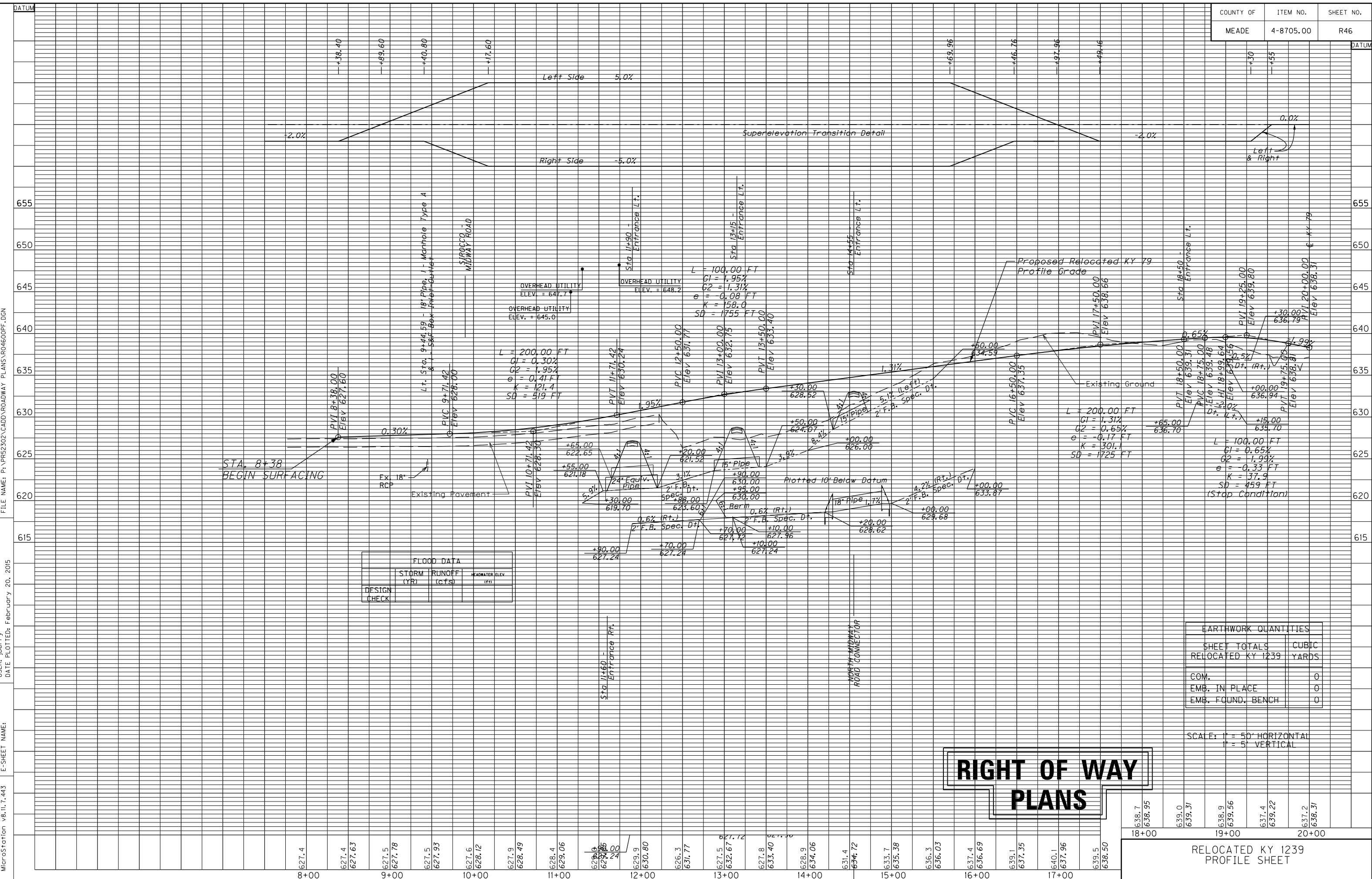
Note: All Temporary Easements shown on this sheet are for Entrance Construction unless otherwise noted.

RIGHT OF WAY PLANS

RELOCATED KY 1239
PLAN SHEET



MicroStation v8.11.7.443 E-SHEET NAME: USER: lberty DATE PLOTTED: February 20, 2015 FILE NAME: P:\PR52302\CADD\ROADWAY PLANS\R04600PF.DGN



FLOOD DATA		
DESIGN CHECK	STORM (YR)	RUNOFF (cfs)

EARTHWORK QUANTITIES	
SHEET TOTALS	
RELOCATED KY 1239	CUBIC YARDS
COM.	0
EMB. IN PLACE	0
EMB. FOUND. BENCH	0

SCALE: 1" = 50' HORIZONTAL
1" = 5' VERTICAL

RIGHT OF WAY PLANS

638.7	639.0	638.9	637.4	637.2
638.95	639.31	639.56	639.22	638.31
18+00	19+00	19+00	20+00	20+00

RELOCATED KY 1239
PROFILE SHEET

Sirocco - Midway Road Curve Data
 PI Sta. 195+18.66
 Delta = 27°53'27" Rt.
 T = 130.37'
 L = 255.56'
 R = 525.00'
 E = 15.94'
 e = 6.0% (emax = 8.0%)

Sirocco - Midway Road Curve Data
 PI Sta. 197+95.31
 Delta = 22°50'03" Rt.
 T = 151.46'
 L = 298.90'
 R = 750.00'
 E = 15.14'
 e = 6.0% (emax = 8.0%)

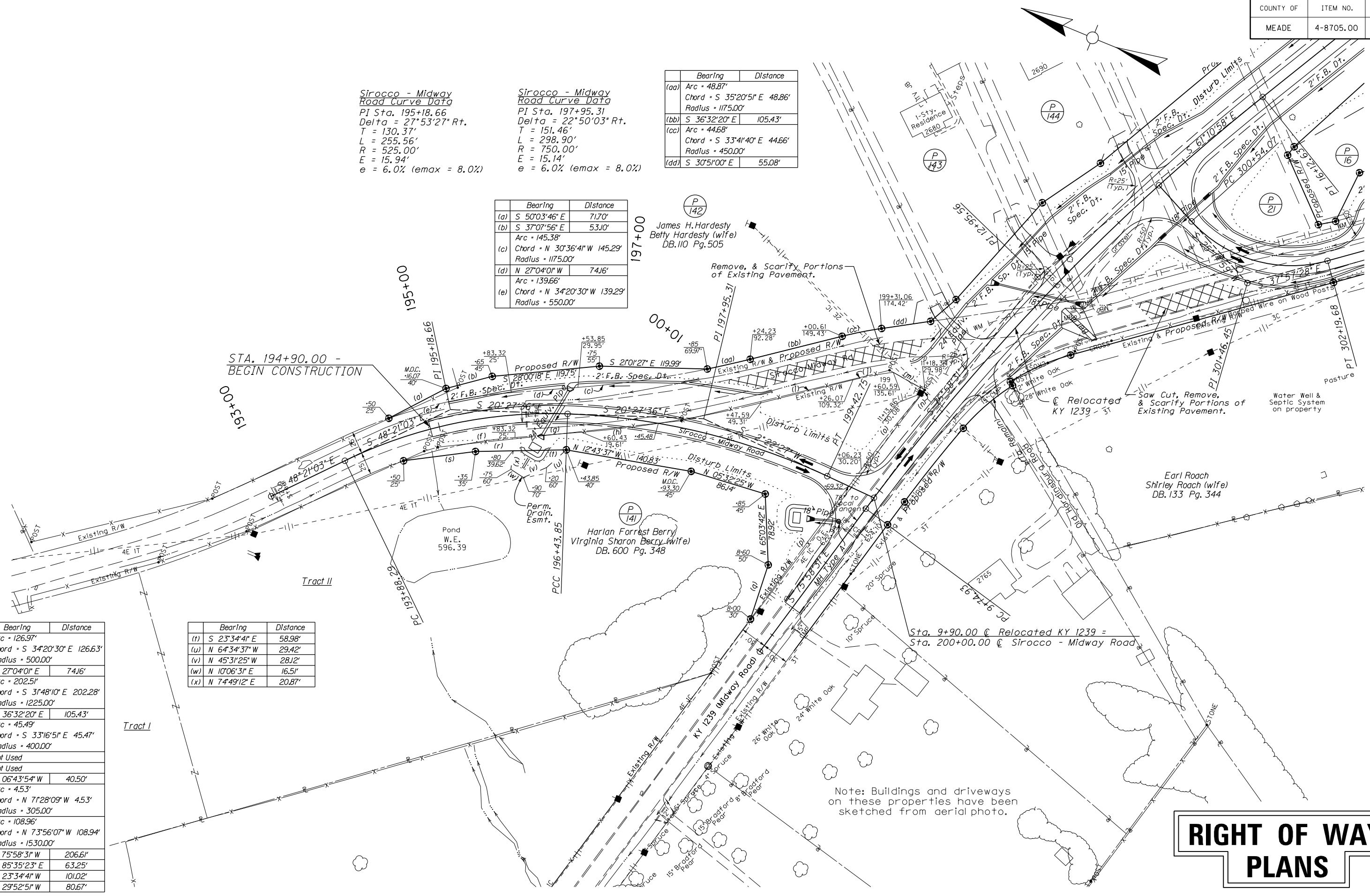
	Bearing	Distance
(aa)	Arc = 48.87'	
	Chord = S 35°20'51" E 48.86'	
	Radius = 1175.00'	
(bb)	S 36°32'20" E	105.43'
(cc)	Arc = 44.68'	
	Chord = S 33°41'40" E 44.66'	
	Radius = 450.00'	
(dd)	S 30°51'00" E	55.08'

	Bearing	Distance
(a)	S 50°03'46" E	71.70'
(b)	S 37°07'56" E	53.10'
(c)	Arc = 145.38'	
	Chord = N 30°36'41" W 145.29'	
	Radius = 1175.00'	
(d)	N 27°04'01" W	74.16'
(e)	Arc = 139.66'	
	Chord = N 34°20'30" W 139.29'	
	Radius = 550.00'	

FILE NAME: P:\R23202\CADD\ROADWAY PLANS\R04700PL.DGN
 USER: harbour
 DATE PLOTTED: February 20, 2015
 E-SHEET NAME:
 MicroStation v8.11.7.443

	Bearing	Distance
(f)	Arc = 126.97'	
	Chord = S 34°20'30" E 126.63'	
	Radius = 500.00'	
(g)	S 27°04'01" E	74.16'
(h)	Arc = 202.51'	
	Chord = S 31°48'10" E 202.28'	
	Radius = 1225.00'	
(i)	S 36°32'20" E	105.43'
(j)	Arc = 45.49'	
	Chord = S 33°16'51" E 45.47'	
	Radius = 400.00'	
(k)	Not Used	
(l)	Not Used	
(m)	S 06°43'54" W	40.50'
	Arc = 4.53'	
(n)	Chord = N 71°28'09" W 4.53'	
	Radius = 305.00'	
(o)	Arc = 108.96'	
	Chord = N 73°56'07" W 108.94'	
	Radius = 1530.00'	
(p)	N 75°58'31" W	206.61'
(q)	N 85°35'23" E	63.25'
(r)	N 23°34'41" W	101.02'
(s)	N 29°52'51" W	80.67'

	Bearing	Distance
(t)	S 23°34'41" E	58.98'
(u)	N 64°34'37" W	29.42'
(v)	N 45°31'25" W	28.12'
(w)	N 10°06'31" E	16.51'
(x)	N 74°49'12" E	20.87'

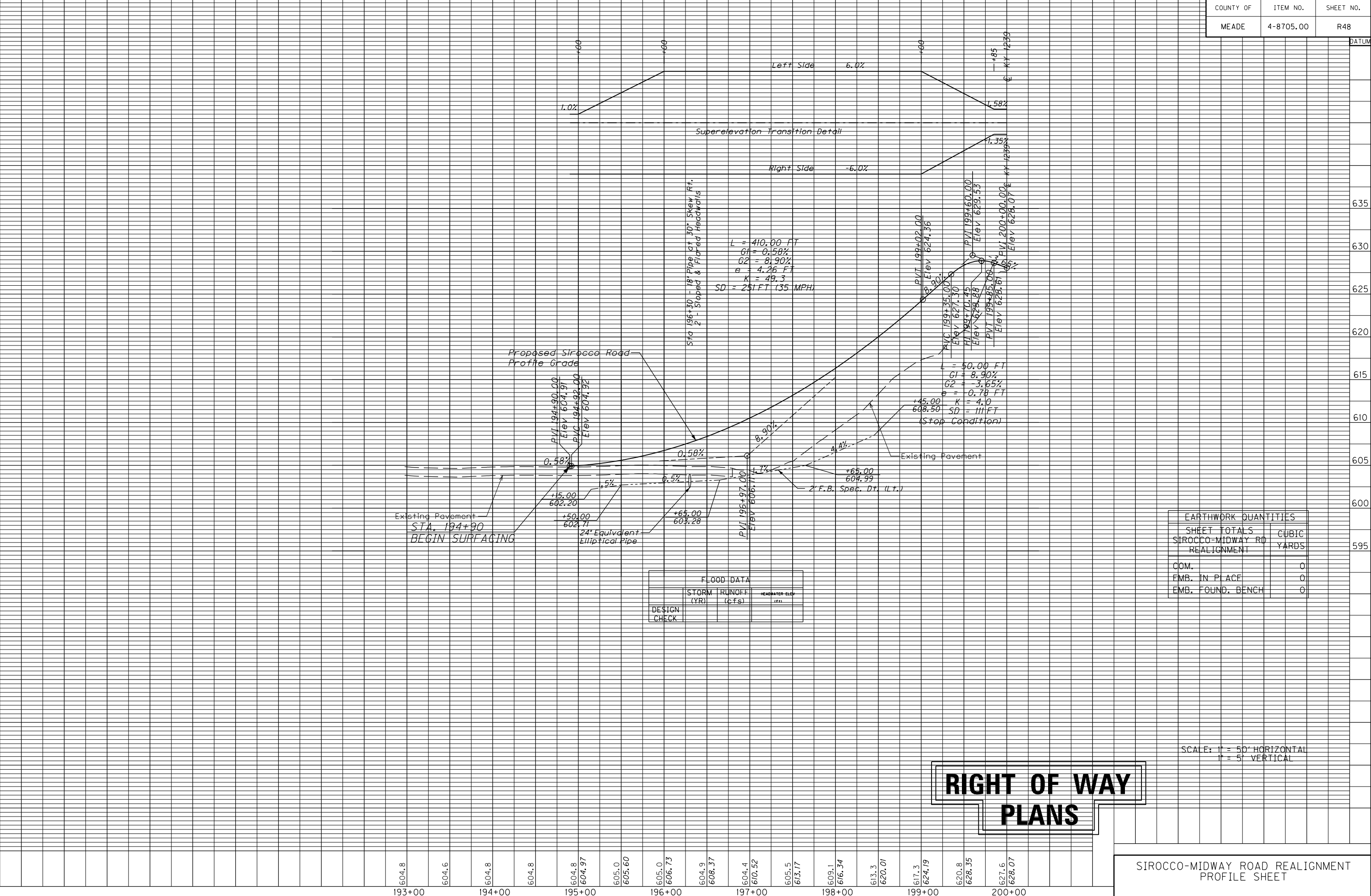


RIGHT OF WAY PLANS

SIROCCO-MIDWAY ROAD REALIGNMENT
PLAN SHEET



MicroStation v8.1i.7.443 E-SHEET NAME: FILE NAME: P:\PR52302\CADD\ROADWAY PLANS\R04800PF.DGN
 USER: harbour DATE PLOTTED: February 20, 2015



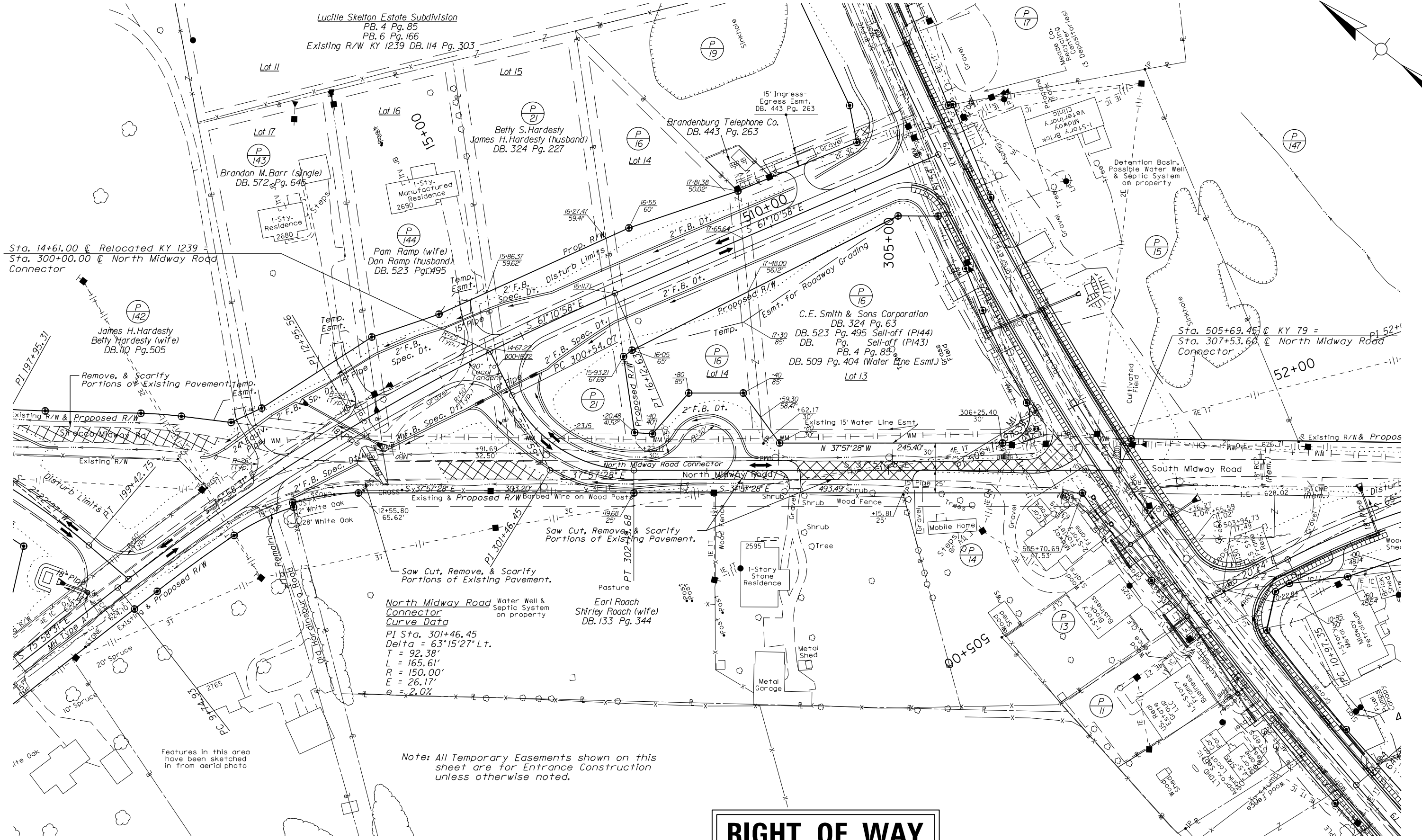
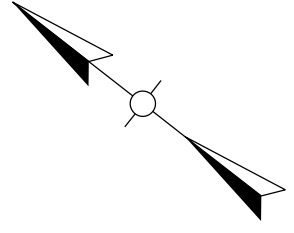
FLOOD DATA		
STORM (YR)	RUNOFF (CFS)	HEADWATER ELEV (FT)
DESIGN		
CHECK		

EARTHWORK QUANTITIES	
SHEET TOTALS	CUBIC YARDS
SIROCCO-MIDWAY RD REALIGNMENT	
COM.	0
FMB. IN PLACE	0
FMB. FOUND. BENCH	0

SCALE: 1" = 50' HORIZONTAL
1" = 5' VERTICAL

RIGHT OF WAY PLANS

P 145 P 146 Not Used



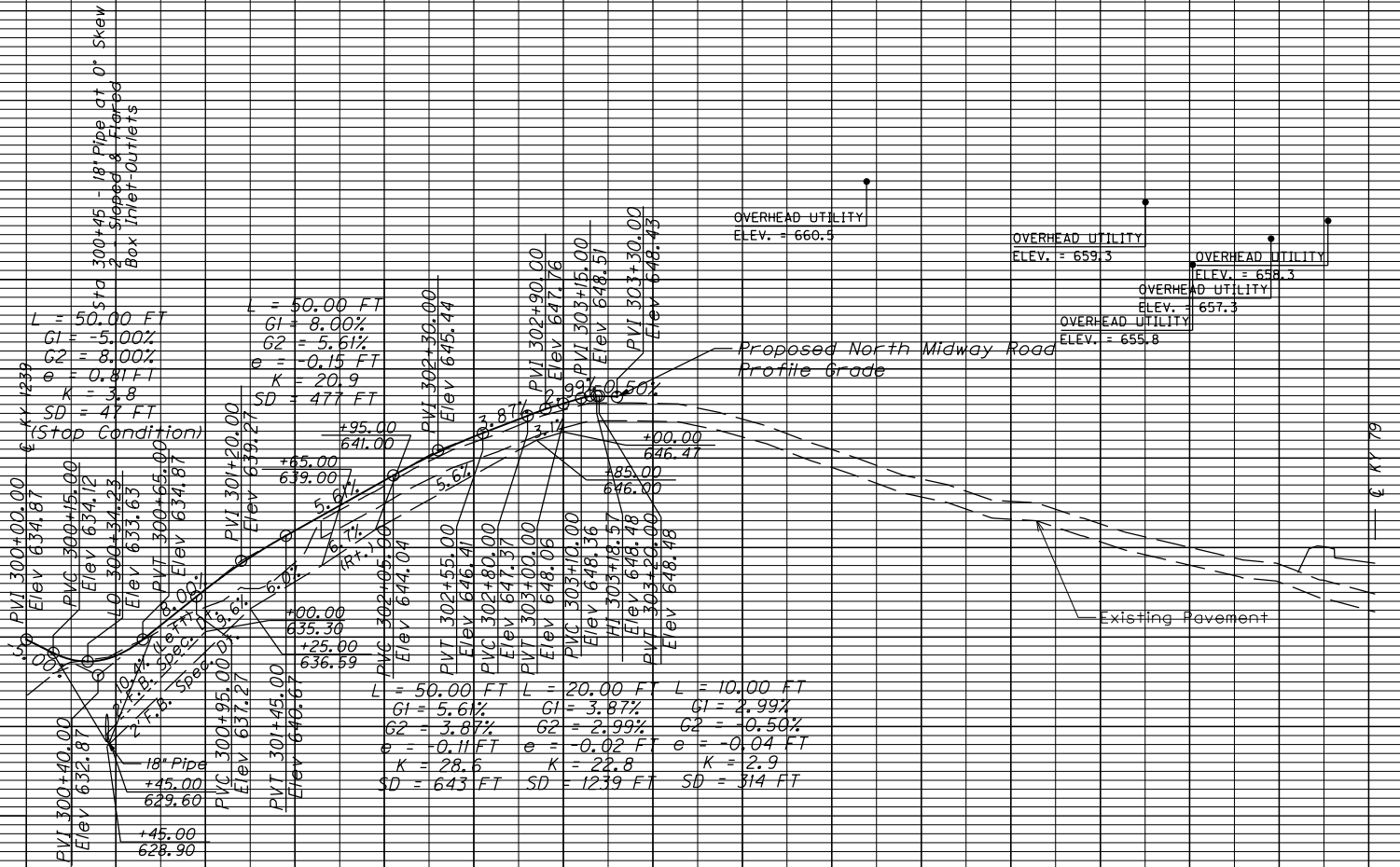
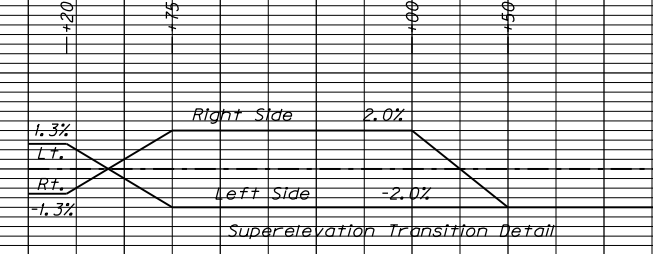
RIGHT OF WAY PLANS



NORTH MIDWAY ROAD CONNECTOR PLAN SHEET

FILE NAME: P:\FRS2302\CADD\ROADWAY PLANS\R04900PL.DGN
 USER: harbour
 DATE PLOTTED: February 20, 2015
 E-SHEET NAME:
 MicroStation v8.11.7.443

FILE NAME: P:\PR52302\CADD\ROADWAY PLANS\R05000PF.DGN
 USER: lberty
 DATE PLOTTED: February 20, 2015
 MicroStation v8.11.7.443 E-SHEET NAME:



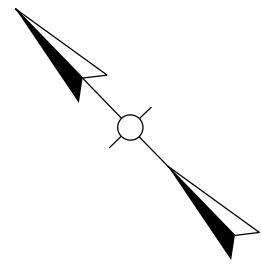
FLOOD DATA			
DESIGN CHECK	STORM (YR)	RUNOFF (cfs)	HEADWATER ELEV (ft)

EARTHWORK QUANTITIES	
SHEET TOTALS	CUBIC YARDS
OLD RICHARDSON ROAD CONNECTOR	
CDM.	0
EMB. IN PLACE	0
EMB. FOUND. BENCH	0

RIGHT OF WAY PLANS

SCALE: 1" = 50' HORIZONTAL
1" = 5' VERTICAL

Bearing	Distance
(a) N 52°06'34" E	32.58'
(b) S 61°19'01" E	27.02'
(c) S 31°17'15" E	111.52'
(d) N 50°34'03" W	138.96'
(p) N 50°34'03" W	320.12'



Lloyd Basham, Jr. Living Trust &
 Monica Faye Hardesty Basham Living Trust
 DB. 561 Pg. 440
 DB. 63 Pg. 106 (Ex. KY 144 R/W)

(P)
59

Richard C. Myers
 Elizabeth A. Myers (wife)
 DB. 157 Pg. 12
 DB. 242 Pg. 234
 DB. 63 Pg. 106 (Ex. KY 144 R/W)

(P)
56

Existing KY 144 West Curve Data
 PI Sta. 25+63.83
 Delta = 12°54'12" Lt.
 T = 431.94'
 L = 860.23'
 R = 3819.72'
 E = 24.34'

Note: Completion of KY 144 West
 requires closure of the existing
 roadway for a period of time.
 See the Maintenance of Traffic
 Notes and the Detour Signing
 Plan for KY 144 West.

Note: All Temporary Easements shown on this
 sheet are for Entrance Construction
 unless otherwise noted.

KY 144 West Curve Data
 PI Sta. 36+50.81
 Delta = 10°54'34" Rt.
 T = 191.94'
 L = 382.72'
 R = 2010.00'
 E = 9.14'
 e = 5.8%, emax = 8.0%
 Runoff = 148' (Back), Special (Ahead)
 Runout = 51.03' (Back), Special (Ahead)

Korey Kormick
 WB O. Pg. 721
 DB. 92 Pg. III (Affidavit of Descent)
 DB. 92 Pg. III (Deed with Boundary Description)
 DB. 63 Pg. III (KY 144 (Payneville Rd.) Existing R/W)

(P)
53

Bearing	Distance
(e) S 44°32'25" E	82.48'
(f) S 43°44'26" W	45.78'
(g) N 47°06'53" W	56.71'
(h) N 16°05'09" E	55.44'

Bearing	Distance
(i) N 44°32'25" W	159.90'
(j) S 49°09'31" E	48.70'
(k) S 41°00'28" E	29.11'
(l) S 87°12'54" W	38.02'
(m) N 42°58'53" W	38.21'
(n) N 16°15'20" E	28.86'
(o) N 42°58'22" W	151.33'

RIGHT OF WAY PLANS

KY 144 WEST (PAYNEVILLE ROAD)
 PLAN SHEET

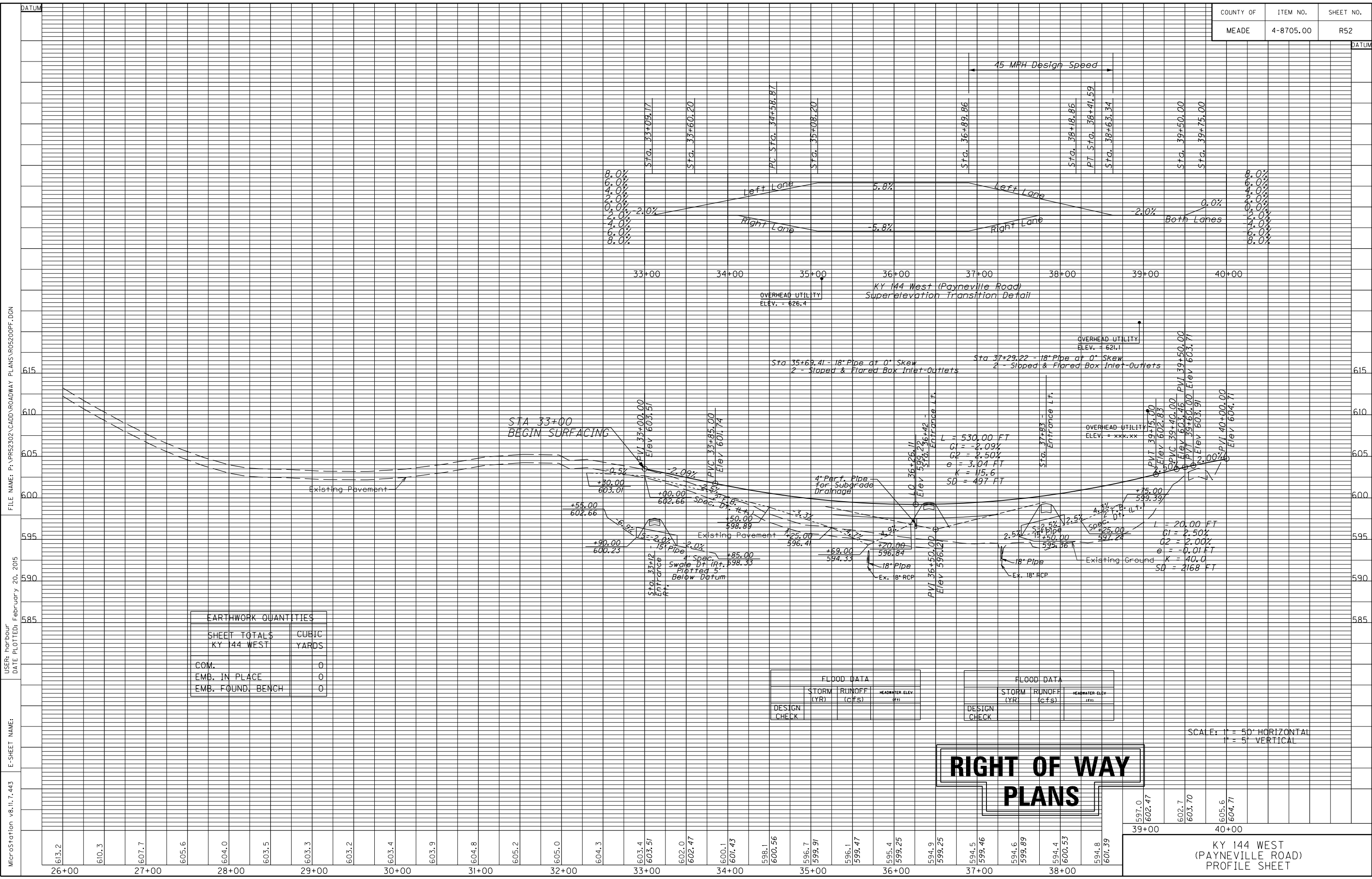


FILE NAME: P:\PR52302\CADD\ROADWAY PLANS\R05100PL.DGN

USER: harbour DATE PLOTTED: February 20, 2015

E-SHEET NAME:

MicroStation v8.11.7.443



EARTHWORK QUANTITIES	
SHEET TOTALS	CUBIC
KY 144 WEST	YARDS
COM.	0
EMB. IN PLACE	0
EMB. FOUND. BENCH	0

FLOOD DATA		
DESIGN CHECK	STORM (YR)	RUNOFF (CFS)

FLOOD DATA		
DESIGN CHECK	STORM (YR)	RUNOFF (CFS)

RIGHT OF WAY PLANS

SCALE: 1" = 50' HORIZONTAL
1" = 5' VERTICAL

MicroStation v8.11.7.443 E-SHEET NAME: FILE NAME: P:\P82302\CADD\ROADWAY PLANS\R05200PF.DGN
 USER: harbour DATE PLOTTED: February 20, 2015

26+00 27+00 28+00 29+00 30+00 31+00 32+00 33+00 34+00 35+00 36+00 37+00 38+00 39+00 40+00
 KY 144 WEST (PAYNEVILLE ROAD) PROFILE SHEET

RIGHT OF WAY SUMMARY

COUNTY OF	ITEM NO.	SHEET NO.
MEADE	4-8705.00	R53

PARCEL NO.	OWNER(S)	TOTAL AREA OF TRACT	PERMANENT R/W ACQUIRED		EASEMENTS				AREA SEVERED				EXCESS PURCHASED		PORTION REMAINING		SEWER SYSTEM TYPE	SEWER SYSTEM AFFECTED BY PROJECT		BUILDINGS ACQUIRED NUMBER					SOURCE OF TITLE	REMARKS	
			ACRES	SQ. FT.	ACRES	SQ. FT.	PERMANENT		TEMPORARY		LEFT		RIGHT		ACRES	SQ. FT.		ACRES	SQ. FT.	YES	NO	C	R	F			S
							SO. FT.	SO. FT.	ACRES	SO. FT.	ACRES	SO. FT.	ACRES	SO. FT.													
1	Jerry Miles Shirley Miles (wife)	(D) 82.300	---	1,493	---	3,976	10,949	80.807	---	---	---	---	---	---	80.807	---	1	-	x	-	-	-	-	DB. 100 Pg. 43 DB. 109 Pg. 155 DB. 509 Pg. 406	Water Line Esmt.		
2	Gordon Board Bernett Board (wife)	(D) 25.353	---	---	8,811	2,343	---	---	---	---	25.151	---	---	---	25.151	---	4	-	x	-	-	-	-	DB 595 Pg. 306 DB. 606 Pg. 288 DB. 608 Pg. 329	(Sell-off Lot 3) (Sell-off Lot 2)		
3	James D. Brown Edna L. Brown (wife)	(D) ---	25,613	---	607	667	3,723	---	---	---	---	25,006	---	---	---	25,006	1	-	x	-	-	-	-	DB. 429 Pg. 626 Misc. Bk. 7 Pg. 697	Parcel #3 Water Well Agreement		
4	David H. Stull Janet F. Stull (wife)	(D) 1,842	---	---	---	---	2,994	---	---	---	1,842	---	---	---	1,842	---	1	-	x	-	-	-	-	DB. 515 Pg. 142	Ex. 10' Utility Esmt. 12' R/W and Utility Esmt.		
5	Larry Hardesty & Jane Hardesty (husband & wife) (1/2 Interest) Gerald Louis Mattingly (single) (1/2 Int.)	(D) 2,848	---	---	342	---	3,466	---	---	---	2,840	---	---	---	2,840	---	1	-	x	-	-	-	-	DB. 429 Pg. 330 DB. 433 Pg. 75 Misc. Bk. 7 Pg. 697	5' Water Line Esmt. 10' Utility Esmt. 12' R/W and Utility Esmt.		
6	Samantha Hickerson Nathan Hickerson (husband)	(D) ---	18,387	---	---	---	2,662	---	---	---	---	18,387	---	---	---	18,387	1	-	x	-	-	-	-	DB. 563 Pg. 586			
7	Jerry M. Miles Shirley R. Miles (wife)	(C) ---	16,608	---	1,408	---	1,303	---	15,200	---	---	---	---	---	15,200	---	4	-	x	-	-	-	-	DB. 153 Pg. 48	Tract 1 & 2		
8	Not Used	---	---	---	---	---	---	---	---	---	---	---	---	---	---	---	---	-	-	-	-	-	-	---	---		
9	Midway Petroleum Co., Inc.	(C) 1,495	---	---	2,243	422	7,043	---	---	---	1,444	---	---	---	1,444	---	1	-	x	-	-	-	-	DB. 282 Pg. 250 DB. 377 Pg. 208 DB. 555 Pg. 401			
10	John L. Ditto Lawanna Ditto (wife)	(D) ---	14,505	---	908	585	1,325	---	13,597	---	---	---	---	---	13,597	---	1	-	x	-	-	-	-	DB. 175 Pg. 209 DB. 509 Pg. 415	Water Line Esmt.		
11	Stone Holdings, LLC	(C) ---	15,759	---	280	1,470	1,137	---	15,479	---	---	---	---	---	15,479	---	1	-	x	-	-	-	-	DB. 536 Pg. 134 DB. 509 Pg. 412	Water Line Esmt.		
12	David B. Dailey Jonell M. Dailey (wife)	(C) ---	37,437	---	32,357	1,063	773	---	---	---	---	5,080	---	---	---	5,080	1	x	-	-	1	-	1	DB. 471 Pg. 96	3 Lots		
13	Harold D. Carter Sandra L. Carter (wife)	(C) ---	16,388	---	---	943	1,280	---	16,388	---	---	---	---	---	16,388	---	1	-	x	-	-	-	-	DB. 414 Pg. 146 DB. 509 Pg. 418	Water Line Esmt.		
14	B&B Properties of Brandenburg, Inc.	(D) ---	33,106	---	---	275	786	---	33,106	---	---	---	---	---	33,106	---	1	-	x	-	-	-	-	DB. 484 Pg. 52 DB. 509 Pg. 421	Midway Florist Water Line Esmt.		
15	Blair & Goff, Inc.	(D) 2,022	---	---	4,405	3,527	17,735	---	---	---	1,921	---	---	---	1,921	---	1	-	x	-	-	-	-	DB. 546 Pg. 364			
16 Lot 13	C.E. Smith & Sons Corporation	(D) 1,8608	---	---	21,896	3,209	---	1,3581	---	---	---	---	---	---	1,3581	---	4	-	x	-	-	-	-	DB. 324 Pg. 63 DB. 509 Pg. 404	Tract #13, PB. 4 Pg. 85 Water Line Esmt.		
16 Lot 14	C.E. Smith & Sons, Corporation	(D) 1,2422	---	---	23,613	---	---	---	17,312	---	13,185*	---	---	---	30,497	---	4	-	x	-	-	-	-	DB. 324 Pg. 63 DB. 509 Pg. 404	Tract #14, PB. 4 Pg. 85 Water Line Esmt.		
16 TOTAL	C.E. Smith & Sons Corporation	(D) 3,1030	---	1,0448	---	3,209	6,740	1,7555	---	---	13,185*	---	---	2,0582	---	---	4	-	x	-	-	-	-	DB. 324 Pg. 63 DB. 523 Pg. 495 DB. Pg. --- DB. 509 Pg. 404	Tract #13, 14, 16, 17, PB. 4 Pg. 85 Sell-off Tract #16 (P144) Sell-off Tract #17 (P143) Water Line Esmt.		
17	C.E. Smith & Sons Corporation	(D) 1,031	---	---	---	---	2,931	---	---	---	1,031	---	---	---	1,031	---	4	-	x	-	-	-	-	DB. 256 Pg. 88 DB. 581 Pg. 569	Sell-off (P20)		
18	Not Used	---	---	---	---	---	---	---	---	---	---	---	---	---	---	---	---	-	-	-	-	-	-	---	---		
19	Donny Blankenship (husband) Teresa Blankenship (wife)	(D) 1,1283	---	---	10,471	---	2,106	---	38,678	---	---	---	---	---	38,678	---	4	-	x	-	-	-	-	DB. 537 Pg. 441	Part of Tract 12, P.B. 4 Pg. 85		
20	BPO Properties, LLC	(D) ---	35,458	---	---	520	3,361	---	---	---	35,458	---	---	---	35,458	---	1	-	x	-	-	-	-	DB. 581 Pg. 569	Esmts., Digg It, Midway Kwik Stop		
21 Lot 11	Betty S. Hardesty James H. Hardesty (husband)	(D) 3,0157	---	---	10,656	1,950	---	2,7711	---	---	---	---	---	---	2,7711	---	4	-	x	-	-	-	-	DB. 324 Pg. 227 DB. 509 Pg. 413	Tract 11, PB. 4 Pg. 85 Water Line Esmt.		
21 Lot 10	Betty S. Hardesty James H. Hardesty (husband)	(D) 1,1203	---	---	14,673	---	---	---	34,127	---	---	---	---	---	34,127	---	4	-	x	-	-	-	-	DB. 324 Pg. 227 DB. 509 Pg. 413	Tract 10, PB. 4 Pg. 85 Water Line Esmt.		
21 Lot 9	Betty S. Hardesty James H. Hardesty (husband)	(D) 2,3134	---	---	1,103	---	---	2,2881	---	---	---	---	---	---	2,2881	---	4	-	x	-	-	-	-	DB. 324 Pg. 227 DB. 509 Pg. 413	Tract 9, PB. 4 Pg. 85 Water Line Esmt.		
21 Lot 8	Betty S. Hardesty James H. Hardesty (husband)	(D) 2,0000	---	---	1,107	---	---	1,9746	---	---	---	---	---	---	1,9746	---	4	-	x	-	-	-	-	DB. 324 Pg. 227 DB. 509 Pg. 413	Tract 8, PB. 4 Pg. 85 Water Line Esmt.		
21 Lot 7	Betty S. Hardesty James H. Hardesty (husband)	(D) 1,1200	---	---	13,401	---	---	---	35,386	---	---	---	---	---	35,386	---	4	-	x	-	-	-	-	DB. 324 Pg. 227 DB. 509 Pg. 413	Tract 7, PB. 4 Pg. 85 Water Line Esmt.		
21 Lot 15	Betty S. Hardesty James H. Hardesty (husband)	(D) 1,4056	---	---	27,358	---	---	---	33,870	---	---	---	---	---	33,870	---	4	-	x	-	-	-	-	DB. 324 Pg. 227	Tract 15, PB. 4 Pg. 85		
21 TOTAL	Betty S. Hardesty James H. Hardesty (husband)	(D) 10,9750	---	1,5679	---	1,950	4,054	9,4071	---	---	---	---	---	---	9,4071	---	4	-	x	-	-	-	-	DB. 324 Pg. 227 DB. 509 Pg. 413	Tract #7, 8, 9, 10, 11, 15, PB. 4 Pg. 85 Water Line Esmt.		

- (P) TOTAL AREA OF TRACT FROM RECORDED PLAT
- (D) TOTAL REA OF TRACT FROM RECORDED DEED
- (C) TOTAL AREA OF TRACT CALCULATED

- TYPE SEWER SYSTEM
- 1 PRIVATE - INDIVIDUAL
 - 2 PRIVATE - MULTI PARTY
 - 3 PUBLIC
 - 4 NONE
 - 5 NOT APPLICABLE

- BUILDINGS ACQUIRED CODE
- C COMMERCIAL
 - R RESIDENTIAL
 - F FARM
 - S STORAGE

RIGHT OF WAY PLANS

CONTROL OF ACCESS ON THIS
PROJECT SHALL BE BY PERMIT

KY 79 MEADE COUNTY
RIGHT OF WAY SUMMARY
SHEET 1 OF 7

FILE NAME: P:\PRB2302\CADD\ROADWAY PLANS\R05300RW.DGN

USER: harbour
DATE PLOTTED: February 20, 2015

E-SHEET NAME:

MicroStation v8.11.7.443

RIGHT OF WAY SUMMARY

COUNTY OF	ITEM NO.	SHEET NO.
MEADE	4-8705.00	R54

PARCEL NO.	OWNER(S)	TOTAL AREA OF TRACT		PERMANENT R/W ACQUIRED		EASEMENTS		AREA SEVERED				EXCESS PURCHASED		PORTION REMAINING		SEWER SYSTEM TYPE	SEWER SYSTEM AFFECTED BY PROJECT		BUILDINGS ACQUIRED NUMBER				SOURCE OF TITLE	REMARKS	
		ACRES	SQ. FT.	ACRES	SQ. FT.	PERMANENT SQ. FT.	TEMPORARY SQ. FT.	LEFT		RIGHT		ACRES	SQ. FT.	ACRES	SQ. FT.		YES	NO	C	R	F	S			
								ACRES	SQ. FT.	ACRES	SQ. FT.														
22	Frank J. Busam, Jr. Jacqueline J. Brown (wife)	(D) 2.111	---	---	---	---	1,233	---	---	2.111	---	---	---	---	2.111	---	4	-	x	-	-	-	-	DB. 359 Pg. 109 DB. 519 Pg. 414	Tract 1, 10' Water Line Esmt. (Sell-off)
23	Joseph Barger Marcella Barger (wife)	(D) 129.083	---	---	4,432	---	27,555	---	---	128.981	---	---	---	---	128.981	---	1	-	x	-	-	-	-	DB. 112 Pg. 54 DB. 135 Pg. 51 DB. 509 Pg. 403	Water Line Esmt.
24	NOT USED	---	---	---	---	---	---	---	---	---	---	---	---	---	---	---	---	-	-	-	-	-	-	---	
25	NOT USED	---	---	---	---	---	---	---	---	---	---	---	---	---	---	---	---	-	-	-	-	-	-	---	
26	NOT USED	---	---	---	---	---	---	---	---	---	---	---	---	---	---	---	---	-	-	-	-	-	-	---	
27	NOT USED	---	---	---	---	---	---	---	---	---	---	---	---	---	---	---	---	-	-	-	-	-	-	---	
28 Lot 5	Gary L. Hartlage Sarah Hartlage (wife)	(D) 5.183	---	---	29,759	---	---	4.500	---	---	---	---	---	---	4.500	---	1	-	x	-	-	-	-	DB. 495 Pg. 159 DB. 509 Pg. 400	Tract #5, PB. 6 Pg. 166 Water Line Esmt.
28 Lot 4	Gary L. Hartlage Sarah Hartlage (wife)	(D) 1.771	---	---	14,000	---	---	1.450	---	---	---	---	---	---	1.450	---	1	-	x	-	-	-	-	DB. 495 Pg. 159 DB. 509 Pg. 400	Tract #4, PB. 6 Pg. 166 Water Line Esmt.
28 Lot 3	Gary L. Hartlage Sarah Hartlage (wife)	(D) 2.914	---	---	19,776	---	---	2.460	---	---	---	---	---	---	2.460	---	1	-	x	-	-	-	-	DB. 506 Pg. 213 DB. 509 Pg. 400	Tract #3, PB. 6 Pg. 166 Water Line Esmt.
28 TOTAL	Gary L. Hartlage Sarah Hartlage (wife)	(D) 9.868	---	1,459	---	---	488	8.409	---	---	---	---	---	---	8.409	---	1	-	x	-	-	-	-	DB. 495 Pg. 159 DB. 506 Pg. 213 DB. 509 Pg. 400	Tract #4, 5, PB. 6 Pg. 166 Tract #3, PB. 6 Pg. 166 Water Line Esmt.
29	NOT USED	---	---	---	---	---	---	---	---	---	---	---	---	---	---	---	---	-	-	-	-	-	-	---	
30	NOT USED	---	---	---	---	---	---	---	---	---	---	---	---	---	---	---	---	-	-	-	-	-	-	---	
31 Lot 2	Charles E. Whelan (unmarried)	(D) 1.7641	---	---	10,150	---	---	1.5311	---	---	---	---	---	---	1.5311	---	4	-	x	-	-	-	-	DB. 324 Pg. 1	Lot 2, PB. 4 Pg. 85
31 Lot 1	Charles E. Whelan (unmarried)	(D) 1.4121	---	---	7,436	---	---	1.2414	---	---	---	---	---	---	1.2414	---	4	-	x	-	-	-	-	DB. 324 Pg. 1	Lot 1, PB. 4 Pg. 85
31 TOTAL	Charles E. Whelan (unmarried)	(D) 3.1762	---	---	17,586	---	---	2.7725	---	---	---	---	---	---	2.7725	---	4	-	x	-	-	-	-	DB. 324 Pg. 1	Lots 1 & 2, PB. 4 Pg. 85
32	William F. Segó (husband) Patti E. Segó (wife)	(C) 1.334	---	---	6,740	---	2,062	---	---	1.179	---	---	---	---	1.179	---	1	-	x	-	-	-	-	DB. 570 Pg. 263 DB. 509 Pg. 414	Water Line Esmt.
33	Steven W. Collins Danetta Collins (wife)	(D) ---	41,874	---	4,178	---	418	---	---	---	---	37,696	---	---	37,696	---	1	-	x	-	-	-	-	DB. 583 Pg. 215 DB. 509 Pg. 407	Water Line Esmt.
34	NOT USED	---	---	---	---	---	---	---	---	---	---	---	---	---	---	---	---	-	-	-	-	-	-	---	
35	David G. Livers Virginia Livers (wife)	(D) ---	33,585	---	13,265	---	2,572	---	---	---	---	20,320	---	---	20,320	---	1	x	-	-	-	-	-	DB. 464 Pg. 550 DB. 509 Pg. 417	Water Line Esmt.
36	Joseph E. Cook Marlene Cook (wife)	(D) ---	21,780	---	3,371	---	1,101	---	18,409	---	---	---	---	---	18,409	---	1	-	x	-	-	-	-	DB. 90 Pg. 43	
37	Steven W. Collins Danetta Rose Collins (wife)	(D) 3.270	---	---	10,855	---	745	---	---	3.021	---	---	---	---	3.021	---	1	-	x	-	-	-	-	DB. 174 Pg. 267 DB. 509 Pg. 407	Water Line Esmt.
38	Paul Thomas Latta Melody S. Latta (wife)	(D) ---	26,759	---	1,693	---	1,106	---	25,066	---	---	---	---	---	25,066	---	1	-	x	-	-	-	-	DB. 412 Pg. 326	
39	Maurice Stivers Doris Stivers (wife)	(C) ---	35,098	---	21,317	---	1,135	---	---	---	---	13,781	---	---	13,781	---	1	x	-	-	1	-	-	DB. 120 Pg. 375 DB. 509 Pg. 395	Water Line Esmt.
40	Jodie D. Babb (husband) Lisa K. Babb (wife)	(D) ---	18,687	---	---	---	1,122	---	18,687	---	---	---	---	---	18,687	---	1	-	x	-	-	-	-	DB. 548 Pg. 543	
41	David T. Wilson Joan P. Wilson (wife)	(D) 84.062 (Tract 1)	---	3,824	---	5,662	---	---	---	80.238	---	---	---	---	80.238	---	1	-	x	-	-	-	-	DB. 429 Pg. 309 DB. 442 Pg. 533 DB. 580 Pg. 397 DB. 509 Pg. 408	Tract 1 Sell-off Sell-off Water Line Esmt.
42	Charles E. Whelan	(D) 123.290	---	---	870	---	9,738	123.270	---	---	---	---	---	---	123.270	---	1	-	x	-	-	-	-	DB. 203 Pg. 37	Tracts 1, 2, 3, 4
43	NOT USED	---	---	---	---	---	---	---	---	---	---	---	---	---	---	---	---	-	-	-	-	-	-	---	
44	John Albert Haynes (single)	(D) 1.122	---	---	30,640	---	2,355	---	---	---	---	18,234	---	---	18,234	---	1	x	-	-	1	-	-	DB. 560 Pg. 139 DB. 580 Pg. 397 DB. 509 Pg. 419	Water Line Esmt.
45	NOT USED	---	---	---	---	---	---	---	---	---	---	---	---	---	---	---	---	-	-	-	-	-	-	---	
46	John Turpin Cathy Turpin (wife)	(C) ---	20,123	---	---	---	4,230	---	20,123	---	---	---	---	---	20,123	---	1	-	x	-	-	-	-	DB. 571 Pg. 10	Tract 1

- (P) TOTAL AREA OF TRACT FROM RECORDED PLAT
- (D) TOTAL REA OF TRACT FROM RECORDED DEED
- (C) TOTAL AREA OF TRACT CALCULATED

TYPE SEWER SYSTEM
 1 PRIVATE - INDIVIDUAL
 2 PRIVATE - MULTI PARTY
 3 PUBLIC
 4 NONE
 5 NOT APPLICABLE

BUILDINGS ACQUIRED CODE
 C COMMERCIAL
 R RESIDENTIAL
 F FARM
 S STORAGE

RIGHT OF WAY PLANS

CONTROL OF ACCESS ON THIS
PROJECT SHALL BE BY PERMIT

FILE NAME: P:\PBR2302\CADD\ROADWAY PLANS\R05400RW.DGN

USER: harbour
DATE PLOTTED: February 20, 2015

E-SHEET NAME:

MicroStation v8.11.7.443

RIGHT OF WAY SUMMARY

COUNTY OF	ITEM NO.	SHEET NO.
MEADE	4-8705.00	R55

PARCEL NO.	OWNER(S)	TOTAL AREA OF TRACT		PERMANENT R/W ACQUIRED		EASEMENTS		AREA SEVERED				EXCESS PURCHASED		PORTION REMAINING		SEWER SYSTEM TYPE	SEWER SYSTEM AFFECTED BY PROJECT		BUILDINGS ACQUIRED NUMBER					SOURCE OF TITLE	REMARKS	
		ACRES	SQ. FT.	ACRES	SQ. FT.	PERMANENT SQ. FT.	TEMPORARY SQ. FT.	LEFT		RIGHT		ACRES	SQ. FT.	ACRES	SQ. FT.		YES	NO	C	R	F	S				
								ACRES	SQ. FT.	ACRES	SQ. FT.															
47	Robert E. Wilkins Theresa S. Wilkins (wife)	(D) 4.025	---	---	6,232	---	---	3.882	---	---	---	---	---	---	3.882	---	1	-	x	-	-	-	-	-	DB. 238 Pg. 33 DB. 287 Pg. 271 DB. 423 Pg. 61	
48	Michael Eugene Barger Mary Dale Barger (wife)	(D) 1.500	---	---	4,318	---	---	1.401	---	---	---	---	---	---	1.401	---	1	-	x	-	-	-	-	-	DB. 135 Pg. 304	
49	NOT USED	---	---	---	---	---	---	---	---	---	---	---	---	---	---	---	---	-	-	-	-	-	-	-	---	
50	Edward Lawrence Hardesty Alice Jane Hardesty (wife)	(D) 97.500	---	---	3,581	---	---	3,938	1,881	---	---	93.919	---	---	93.919	---	1	-	x	-	-	-	-	-	DB. 174 Pg. 135 DB. 378 Pg. 36	First and Second Tracts Oil & Gas Lease
51	Edward Wayne Johnston (husband) Alice Faye Johnston (wife)	(D) 19.196	---	---	2,596	---	---	9,391	---	---	19.136	---	---	---	19.136	---	1	-	x	-	-	-	-	-	DB. 194 Pg. 280	
52	William M. Smith Mildred Catherine Smith (wife)	(D) 1.240	---	---	---	---	---	8,233	---	---	1.240	---	---	---	1.240	---	1	-	x	-	-	-	-	-	DB. 102 Pg. 68	
53	Korey Kormick	(D) 151.760	---	---	26,687	8,815	5,453	151.147	---	---	---	---	---	---	151.147	---	1	-	x	-	-	-	-	-	WB. 0 Pg. 721 DB. 92 Pg. III DB. 63 Pg. III	A.O.D & Description KY 144 Ex. R/W
54	Larry Hardesty Jane Hardesty (wife)	(D) 130.810	---	---	2,364	---	---	3,374	---	---	128.446	---	---	---	128.446	---	1	-	x	-	-	-	-	-	DB. 135 Pg. 14 DB. 384 Pg. 54 DB. 509 Pg. 394	Tract No. 1, No. 2, & No. 3 Water Line Esmt.
55	NOT USED	---	---	---	---	---	---	---	---	---	---	---	---	---	---	---	---	-	-	-	-	-	-	-	---	
56	Richard C. Myers Elizabeth A. Myers (wife)	(D) 5.565	---	---	16,057	2,812	3,063	5.196	---	---	---	---	---	---	5.196	---	1	-	x	-	-	-	-	-	DB. 157 Pg. 12 DB. 242 Pg. 234 DB. 63 Pg. 106	KY 144 Ex. R/W
57	Rebecca Mattie Thompson Greer (single)	(D) 3.300	---	---	26,959	---	---	2,468	---	---	2.681	---	---	---	2.681	---	1	-	x	-	-	-	-	-	DB. 543 Pg. 127 DB. 509 Pg. 397	Water Line Esmt.
58	NOT USED	---	---	---	---	---	---	---	---	---	---	---	---	---	---	---	---	-	-	-	-	-	-	-	---	
59	Loyd Basham, Jr. Living Trust & Monica Faye Hardesty Basham Living Trust	(D) 208.785	---	---	3,392	---	---	300	---	---	205.393	---	---	---	205.393	---	1	-	x	-	-	-	-	-	DB. 561 Pg. 440 DB. 63 Pg. 106	Tract 2 KY 144 Ex. R/W
60	Micheal S. Ballard (unmarried)	(D) 1.500	---	---	6,728	---	---	3,166	---	---	1.346	---	---	---	1.346	---	1	-	x	-	-	-	-	-	DB. 512 Pg. 282 DB. 509 Pg. 402	Water Line Esmt.
61	Jack A. King Linda M. King (wife)	(C) ---	28,029	---	1,859	---	---	---	---	---	---	---	---	---	26,170	---	4	-	x	-	-	-	-	-	DB. 576 Pg. 135 DB. 509 Pg. 401	Lot 4 Ritchland Heights Subdiv. Water Line Esmt.
62	Elizabeth Ritchie Wheatley Fred C. Wheatley (husband)	(C) 21.189	---	---	---	---	---	5,640	---	---	21.189	---	---	---	21.189	---	1	-	x	-	-	-	-	-	DB. 174 Pg. 166 DB. 509 Pg. 401 DB. 509 Pg. 411 DB. 568 Pg. 290	C.R. 3206 Ex. R/W Water Line Esmt. Water Line Esmt.
63	Elizabeth Ann Smith (single)	(C) ---	35,639	---	---	---	---	3,189	---	---	---	---	---	---	35,639	---	1	-	x	-	-	-	-	-	DB. 140 Pg. 460 DB. 509 Pg. 411	Water Line Esmt.
64	Joseph C. Myers Kimberly S. Myers (wife)	(D) 9.742	---	---	14,231	3,282	2,615	---	---	---	9.415	---	---	---	9.415	---	1	-	x	-	-	-	-	-	DB. 349 Pg. 312 DB. 509 Pg. 396 DB. 509 Pg. 405 DB. 565 Pg. 178	Water Line Esmt. Water Line Esmt.
65	NOT USED	---	---	---	---	---	---	---	---	---	---	---	---	---	---	---	---	-	-	-	-	-	-	-	---	
66	William O. Mack Mattie Mae Mack (wife)	(D) 86.000	---	---	1,614	---	---	3,176	25,732	84.386	---	---	---	---	84.386	---	1	-	x	-	-	-	-	-	DB. 101 Pg. 34	
67	Shirley Ritchie Miles Jerry M. Miles (husband)	(D) 22.033	---	---	42,842	344	609	---	---	---	21.049	---	---	---	21.049	---	1	-	x	-	-	-	-	-	DB. 566 Pg. 194 DB. 509 Pg. 405	Water Line Esmt.
68	Benjamin O. Wilson Margaret M. Wilson (wife)	(D) 164.350	---	---	5,082	---	---	115,180	1,035	---	---	---	---	---	159,268	---	1	-	x	-	-	-	-	-	DB. 387 Pg. 403 DB. 509 Pg. 409	Water Line Esmt.
69	James L. Whelan (married)	(D) 31.877	---	---	22,702	3,301	5,043	31.356	---	---	---	---	---	---	31.356	---	1	-	x	-	-	-	-	-	DB. 408 Pg. 379 DB. 530 Pg. 73	Sell-off
70	Kenneth L. Gayler Brenda Gayler (wife)	(D) 1.650	---	---	11,537	---	---	2,374	---	---	1.385	---	---	---	1.385	---	1	-	x	-	-	-	-	-	DB. 311 Pg. 310 DB. 509 Pg. 420	Water Line Esmt.
71	Stephen L. Spink Vicki Spink (wife)	(D) 1.079	---	---	17,309	---	---	---	---	---	---	---	---	---	29,692	---	1	x	-	-	1	-	-	-	DB. 351 Pg. 1 DB. 509 Pg. 410	Water Line Esmt.
72	John S. O'Bryan Wilma H. O'Bryan (wife)	(C) ---	1,296	---	23	---	---	---	---	---	1,273	---	---	---	1,273	---	4	-	x	-	-	-	-	-	DB. 539 Pg. 550	1.93' Strip, P.B. 7 Pg. 78

- (P) TOTAL AREA OF TRACT FROM RECORDED PLAT
- (D) TOTAL REA OF TRACT FROM RECORDED DEED
- (C) TOTAL AREA OF TRACT CALCULATED

- TYPE SEWER SYSTEM
- 1 PRIVATE - INDIVIDUAL
 - 2 PRIVATE - MULTI PARTY
 - 3 PUBLIC
 - 4 NONE
 - 5 NOT APPLICABLE

- BUILDINGS ACQUIRED CODE
- C COMMERCIAL
 - R RESIDENTIAL
 - F FARM
 - S STORAGE

RIGHT OF WAY
PLANS

CONTROL OF ACCESS ON THIS
PROJECT SHALL BE BY PERMIT

MicroStation v8.11.7.443 E-SHEET NAME: DATE PLOTTED: February 20, 2015 USER: harbour FILE NAME: P:\PR52302\CADD\ROADWAY PLANS\R05500RW.DGN

RIGHT OF WAY SUMMARY

COUNTY OF	ITEM NO.	SHEET NO.
MEADE	4-8705.00	R56

PARCEL NO.	OWNER(S)	TOTAL AREA OF TRACT		PERMANENT R/W ACQUIRED		EASEMENTS		AREA SEVERED				EXCESS PURCHASED		PORTION REMAINING		SEWER SYSTEM TYPE	SEWER SYSTEM AFFECTED BY PROJECT		BUILDINGS ACQUIRED NUMBER					SOURCE OF TITLE	REMARKS
		ACRES	SQ. FT.	ACRES	SQ. FT.	PERMANENT SQ. FT.	TEMPORARY SQ. FT.	LEFT		RIGHT		ACRES	SQ. FT.	ACRES	SQ. FT.		YES	NO	C	R	F	S			
								ACRES	SQ. FT.	ACRES	SQ. FT.														
73	James S. Wilson (husband) Isabel Wilson (wife)	(D) 2.000	---	---	16,491	---	1,295	---	---	1.621	---	---	---	---	1.621	---	1	-	x	-	-	-	-	DB. 123 Pg. 471 DB. 387 Pg. 403 DB. 509 Pg. 398	Sell-off to P68 Water Line Esmt.
74	OB Properties, LLC	(P) 2.000	---	---	130	---	3,042	1.997	---	---	---	---	---	---	1.997	---	4	-	x	-	-	-	-	DB. 534 Pg. 477	Lot #1, PB. 7 Pg. 78
75	Michael Boland (husband) Ann M. Boland (wife)	(C) 5.463	---	---	---	---	4,412	5.463	---	---	---	---	---	---	5.463	---	1	-	x	-	-	-	-	DB. 320 Pg. 72	
76	Mike Parr (single)	(D) 4.481	---	---	4,486	---	10,604	4.378	---	---	---	---	---	---	4.378	---	1	-	x	-	-	-	-	DB. 421 Pg. 340	
77	James F. Miller Mona M. Miller (wife)	(D) 11.104	---	---	24,224	---	---	---	---	10.548	---	---	---	---	10.548	---	1	-	x	-	-	-	-	DB. 469 Pg. 19 DB. 509 Pg. 416	Water Line Esmt.
78	Patricia Diann Shireman (married)	(D) 1.200	---	---	20,977	---	5,575	---	---	---	31,295	---	---	---	31,295	1	x	-	-	1	-	-	DB. 469 Pg. 431 DB. 509 Pg. 399	Water Line Esmt.	
79	Michael R. Parr Betty A. Parr (wife)	(D) 7.300	---	---	8,819	---	1,125	7.098	---	---	---	---	---	---	7.098	---	1	-	x	-	-	-	-	DB. 578 Pg. 169 DB. 608 Pg. 277	Sell-off (Parcel 153)
80	Leo B. Hardesty	(D) 2.770	---	---	18,653	---	1,613	---	---	2.342	---	---	---	---	2.342	---	4	-	x	-	-	-	-	DB. 606 Pg. 271 DB. 426 Pg. 598	Water Line Esmt.
81 Lot 1	W. Douglas Reed Donna K. Reed (wife)	(D) 2.528	---	---	11,842	---	---	2.256	---	---	---	---	---	---	2.256	---	4	-	x	-	-	-	-	DB. 413 Pg. 564	Parcel #1, PB. 5 Pg. 126
81 Lot 2	W. Douglas Reed Donna K. Reed (wife)	(D) 2.589	---	---	12,069	---	---	2.312	---	---	---	---	---	---	2.312	---	4	-	x	-	-	-	-	DB. 413 Pg. 564	Parcel #2, PB. 5 Pg. 126
81 Lot 7	W. Douglas Reed Donna K. Reed (wife)	(D) 10.116	---	---	2,622	---	---	10.056	---	---	---	---	---	---	10.056	---	4	-	x	-	-	-	-	DB. 413 Pg. 564	Parcel #7, PB. 5 Pg. 126
81 Lot 8	W. Douglas Reed Donna K. Reed (wife)	(D) 9.949	---	---	2,570	---	---	9.890	---	---	---	---	---	---	9.890	---	4	-	x	-	-	-	-	DB. 413 Pg. 564	Parcel #8, PB. 5 Pg. 126
81 TOTAL	W. Douglas Reed Donna K. Reed (wife)	(D) 25.182	---	---	29,103	---	4,969	24.514	---	---	---	---	---	---	24.514	---	4	-	x	-	-	-	-	DB. 413 Pg. 564	Parcel #1, 2, 7, 8 PB. 5 Pg. 126
82	NOT USED	---	---	---	---	---	---	---	---	---	---	---	---	---	---	---	---	-	-	-	-	-	-	---	
83	Michael W. Robinson Melissa D. Robinson (wife)	(C) 1.036	---	---	7,233	---	1,145	---	---	---	37,895	---	---	---	37,895	1	-	x	-	-	-	-	-	DB. 408 Pg. 96 DB. 425 Pg. 390	Lot #5, PB. 2 Pg. 77 Lot #6, PB. 2 Pg. 77
84	David M. Burnett Diane M. Burnett (wife)	(D) 1.120	---	---	15,674	---	9,085	---	33,113	---	---	---	---	---	33,113	1	x	-	-	1	-	-	-	DB. 413 Pg. 260	Parcel #4, PB. 5 Pg. 126
85	NOT USED	---	---	---	---	---	---	---	---	---	---	---	---	---	---	---	---	-	-	-	-	-	-	---	
86	NOT USED	---	---	---	---	---	---	---	---	---	---	---	---	---	---	---	---	-	-	-	-	-	-	---	
87	Kenneth L. Bruner Mary E. Bruner (wife)	(C) ---	41,953	---	2,895	---	1,749	---	---	---	39,058	---	---	---	39,058	1	-	x	-	-	-	-	-	DB. 249 Pg. 237 DB. 425 Pg. 278	Lot #7 & 8, PB. 2 Pg. 77 Water Line Esmt.
88 Lot 9	Jeffrey G. Greer Beth P. Greer (wife)	(D) 9.912	---	---	2,515	---	---	9.854	---	---	---	---	---	---	9.854	---	4	-	x	-	-	-	-	DB. 413 Pg. 613	Parcel #9 PB. 5 Pg. 126
88 Lot 10	Jeffrey G. Greer Beth P. Greer (wife)	(D) 10.170	---	---	2,457	---	---	10.114	---	---	---	---	---	---	10.114	---	4	-	x	-	-	-	-	DB. 413 Pg. 613	Parcel #10 PB. 5 Pg. 126
88 Lot 5	Jeffrey G. Greer Beth P. Greer (wife)	(D) 2.531	---	---	19,136	---	---	2.092	---	---	---	---	---	---	2.092	---	4	-	x	-	-	-	-	DB. 413 Pg. 613	Parcel #5 PB. 5 Pg. 126
88 Lot 6	Jeffrey G. Greer Beth P. Greer (wife)	(D) 2.506	---	---	16,630	---	---	2.124	---	---	---	---	---	---	2.124	---	4	-	x	-	-	-	-	DB. 413 Pg. 613	Parcel #6 PB. 5 Pg. 126
88 TOTAL	Jeffrey G. Greer Beth P. Greer (wife)	(D) 25.119	---	---	40,738	---	11,365	24.184	---	---	---	---	---	---	24.184	---	4	-	x	-	-	-	-	DB. 413 Pg. 613	Parcel #5, 6, 9, 10 PB. 5 Pg. 126
89	NOT USED	---	---	---	---	---	---	---	---	---	---	---	---	---	---	---	---	-	-	-	-	-	-	---	
90	NOT USED	---	---	---	---	---	---	---	---	---	---	---	---	---	---	---	---	-	-	-	-	-	-	---	
91 Lot 17	Kenneth L. Bruner Mary E. Bruner (wife)	(C) ---	37,740	---	2,436	---	---	---	---	---	35,304	---	---	---	35,304	4	-	x	-	-	-	-	-	DB. 300 Pg. 19 DB. 425 Pg. 278	Lot #17, PB. 2 Pg. 5 Water Line Esmt.
91 Lot 16	Kenneth L. Bruner Mary E. Bruner (wife)	(C) ---	26,920	---	3,748	---	---	---	---	---	23,172	---	---	---	23,172	4	-	x	-	-	-	-	-	DB. 301 Pg. 168 DB. 425 Pg. 278	Lot #16, PB. 2 Pg. 5 Water Line Esmt.
91 TOTAL	Kenneth L. Bruner Mary E. Bruner (wife)	(C) 1.484	---	---	6,184	---	---	---	---	1.342	---	---	---	---	1.342	---	4	-	x	-	-	-	-	DB. 300 Pg. 19 DB. 301 Pg. 168 DB. 425 Pg. 278	Lot #17, PB. 2 Pg. 5 Lot #16, PB. 2 Pg. 5 Water Line Esmt.

- (P) TOTAL AREA OF TRACT FROM RECORDED PLAT
- (D) TOTAL REA OF TRACT FROM RECORDED DEED
- (C) TOTAL AREA OF TRACT CALCULATED

TYPE SEWER SYSTEM
 1 PRIVATE - INDIVIDUAL
 2 PRIVATE - MULTI PARTY
 3 PUBLIC
 4 NONE
 5 NOT APPLICABLE

BUILDINGS ACQUIRED CODE
 C COMMERCIAL
 R RESIDENTIAL
 F FARM
 S STORAGE

RIGHT OF WAY
 PLANS

CONTROL OF ACCESS ON THIS
 PROJECT SHALL BE BY PERMIT

KY 79 MEADE COUNTY
 RIGHT OF WAY SUMMARY
 SHEET 4 OF 7

FILE NAME: P:\PR52302\CADD\ROADWAY PLANS\RO5600RW.DGN
 USER: harbour
 DATE PLOTTED: February 20, 2015
 E-SHEET NAME:
 MicroStation v8.11.7.443

RIGHT OF WAY SUMMARY

COUNTY OF	ITEM NO.	SHEET NO.
MEADE	4-8705.00	R57

PARCEL NO.	OWNER(S)	TOTAL AREA OF TRACT		PERMANENT R/W ACQUIRED		EASEMENTS		AREA SEVERED				EXCESS PURCHASED		PORTION REMAINING		SEWER SYSTEM TYPE	SEWER SYSTEM AFFECTED BY PROJECT		BUILDINGS ACQUIRED NUMBER					SOURCE OF TITLE	REMARKS
		ACRES	SQ. FT.	ACRES	SQ. FT.	PERMANENT SQ. FT.	TEMPORARY SQ. FT.	LEFT		RIGHT		ACRES	SQ. FT.	ACRES	SQ. FT.		YES	NO	C	R	F	S			
								ACRES	SQ. FT.	ACRES	SQ. FT.														
92	NOT USED	---	---	---	---	---	---	---	---	---	---	---	---	---	---	---	-	-	-	-	-	-	---		
93	NOT USED	---	---	---	---	---	---	---	---	---	---	---	---	---	---	---	-	-	-	-	-	-	---		
94	James P. Vessels, Sr. Marilyn S. Vessels (wife)	(C) ---	26,762	---	606	---	1,022	---	---	---	26,156	---	---	---	26,156	1	-	x	-	-	-	-	DB. 390 Pg. 324 DB. 431 Pg. 476	Lot #15, PB. 2 Pg. 5 Water Line Esmt.	
95	Thomas W. Fulkerson Janet R. Fulkerson (wife)	(D) 2.000	---	---	14,931	---	3,309	1.657	---	---	---	---	---	1.657	---	1	-	x	-	-	-	-	DB. 565 Pg. 480	PB. 7 Pg. 10 Esmts. Misc. Bk. 11 Pg. 18	
96	Patrick C. Wheatley Mary Leona Wheatley (wife)	(C) 3.212	---	---	---	---	15,581	---	---	3.212	---	---	---	3.212	---	4	-	x	-	-	-	-	DB. 327 Pg. 323 DB. 340 Pg. 214 DB. 343 Pg. 109 DB. 390 Pg. 324 DB. 426 Pg. 596	Lot #12, PB. 2 Pg. 5 Lot #10, 11, PB. 2 Pg. 5 Lots 13, 14, & 15 PB. 2 Pg. 5 Lot 15, Sell-off to P94, PB. 2 Pg. 5 Water Line Esmt.	
97	Greg Shoulders Trina Shoulders (wife)	(D) 1.2120	---	---	16,083	---	---	---	36,712	---	---	---	---	36,712	1	-	x	-	-	-	-	-	DB. 387 Pg. 355	PB. 7 Pg. 10	
98	NOT USED	---	---	---	---	---	---	---	---	---	---	---	---	---	---	---	-	-	-	-	-	-	---		
99	NOT USED	---	---	---	---	---	---	---	---	---	---	---	---	---	---	---	-	-	-	-	-	-	---		
100	William A. Shacklette Barbara J. Shacklette (wife)	(D) 6.8397	---	---	16,532	---	14,549	6.4602	---	---	---	---	---	6.4602	---	1	-	x	-	-	-	-	DB. 438 Pg. 1 DB. 438 Pg. 9		
101	NOT USED	---	---	---	---	---	---	---	---	---	---	---	---	---	---	---	-	-	-	-	-	-	---		
102	Timothy J. Haley (husband) Kovanna M. Haley (wife)	(D) 6.293	---	1.447	---	1,802	2,986	---	---	---	---	---	---	---	---	1	x	-	-	1	-	-	DB. 328 Pg. 89 DB. 487 Pg. 284		
103	Tabernacle of Worship, Inc.	(P) 3.534	---	---	---	---	1,716	---	---	3.534	---	---	---	3.534	---	1	-	x	-	-	-	-	DB. 459 Pg. 300 PB. 5 Pg. 142	Lots 1 & 2, Becky's Little Acres	
104	NOT USED	---	---	---	---	---	---	---	---	---	---	---	---	---	---	---	-	-	-	-	-	-	---		
105	NOT USED	---	---	---	---	---	---	---	---	---	---	---	---	---	---	---	-	-	-	-	-	-	---		
106	Douglas C. Stone (husband) Sandra L. Stone (wife)	(D) 5.033	---	---	---	355	4,897	---	---	5.033	---	---	---	5.033	---	1	-	x	-	-	-	-	DB. 492 Pg. 169		
107	Timothy Dale Baskins Samatha Jean Thomas-Baskins	(D) 1.500	---	---	23,131	---	2,852	---	42,209	---	---	---	---	42,209	1	-	x	-	-	-	-	-	DB. 405 Pg. 170		
108	Samuel Alfred Thomas Nina M. Thomas (wife)	(D&P) 11.191	---	1.347	---	---	6,827	9.844	---	---	---	---	---	9.844	---	1	x	-	-	-	-	-	DB. 199 Pg. 235 DB. 341 Pg. 47 DB. 386 Pg. 567	First Lot & Second Lot Lot 1 Haynes Estates, PB. 5 Pg. 17	
109	Ronald L. Greenwell Barbara J. Greenwell (wife)	(D) 3.358	---	---	2,322	913	2,163	---	---	3.305	---	---	---	3.305	---	1	-	x	-	-	-	-	DB. 372 Pg. 4		
110	NOT USED	---	---	---	---	---	---	---	---	---	---	---	---	---	---	---	-	-	-	-	-	-	---		
111	NOT USED	---	---	---	---	---	---	---	---	---	---	---	---	---	---	---	-	-	-	-	-	-	---		
112	Ronald L. & Barbara J. Greenwell Trust, Barbara J. Greenwell, Trustee	(D) 93.458	---	---	12,478	---	---	---	---	93.172	---	---	---	93.172	---	1	-	x	-	-	-	-	DB. 504 Pg. 433 DB. 529 Pg. 359	Parcel 1, Tracts 1, 2, & 3	
113	NOT USED	---	---	---	---	---	---	---	---	---	---	---	---	---	---	---	-	-	-	-	-	-	---		
114	NOT USED	---	---	---	---	---	---	---	---	---	---	---	---	---	---	---	-	-	-	-	-	-	---		
115	Joseph L. Shelman Linda Shelman (wife)	(D) 48.592	---	---	41,496	---	19,310	---	---	47.639	---	---	---	47.639	---	4	-	x	-	-	-	-	DB. 530 Pg. 140 DB. 257 Pg. 134	Parcel 1 & 2 Electric Easement	
116	NOT USED	---	---	---	---	---	---	---	---	---	---	---	---	---	---	---	-	-	-	-	-	-	---		
117	John S. & Wilma H. O'Bryan (wife) (1/2 Int.) Tr. 2 John C. O'Bryan (single) (1/2 Interest)	(D) ---	9,714	---	1,147	---	---	---	8,567	---	---	---	---	8,567	---	4	-	x	-	-	-	-	DB. 534 Pg. 224	Tract 2	
117	John S. & Wilma H. O'Bryan (wife) (1/2 Int.) Lot 32 John C. O'Bryan (single) (1/2 Interest)	(D) 5.983	---	---	3,282	---	---	5.908	---	---	---	---	---	5.908	---	4	-	x	-	-	-	-	DB. 505 Pg. 192	Lot #32, Haynes Estates, Section II, PB. 5 Pg. 39	
117	John S. & Wilma H. O'Bryan (wife) (1/2 Int.) Lot 31 John C. O'Bryan (single) (1/2 Interest)	(P) 5.725	---	---	3,347	---	---	5.648	---	---	---	---	---	5.648	---	4	-	x	-	-	-	-	DB. 505 Pg. 182	Lot #31, Haynes Estates, Section II, PB. 5 Pg. 39	
117	John S. & Wilma H. O'Bryan (wife) (1/2 Int.) Lot 4 John C. O'Bryan (single) (1/2 Interest)	(D) 3.332	---	---	---	---	---	3.332	---	---	---	---	---	3.332	---	4	-	x	-	-	-	-	DB. 505 Pg. 182	Lot #4, Haynes Estates, PB. 5 Pg. 17	
117	John S. & Wilma H. O'Bryan (wife) (1/2 Int.) John C. O'Bryan (single) (1/2 Interest)	(D&P) 15.263	---	---	7,776	---	14,120	15.085	---	---	---	---	---	15.085	---	4	-	x	-	-	-	-	DB. 505 Pg. 182 DB. 505 Pg. 192 D.B. 534 Pg. 224	Lot #4, PB. 5 Pg. 17, Lot #31, PB. 5 Pg. 39 Lot #32, PB. 5 Pg. 39 Tract 2	

- (P) TOTAL AREA OF TRACT FROM RECORDED PLAT
- (D) TOTAL REA OF TRACT FROM RECORDED DEED
- (C) TOTAL AREA OF TRACT CALCULATED

- | | |
|-------------------------|-------------------------|
| TYPE SEWER SYSTEM | BUILDINGS ACQUIRED CODE |
| 1 PRIVATE - INDIVIDUAL | C COMMERCIAL |
| 2 PRIVATE - MULTI PARTY | R RESIDENTIAL |
| 3 PUBLIC | F FARM |
| 4 NONE | S STORAGE |
| 5 NOT APPLICABLE | |

RIGHT OF WAY
PLANS

CONTROL OF ACCESS ON THIS
PROJECT SHALL BE BY PERMIT

KY 79 MEADE COUNTY
RIGHT OF WAY SUMMARY
SHEET 5 OF 7

FILE NAME: P:\PRB2302\CADD\ROADWAY PLANS\RO570ORW.DGN

USER: harbour DATE PLOTTED: February 20, 2015

E-SHEET NAME:

MicroStation v8.11.7.443

RIGHT OF WAY SUMMARY

COUNTY OF	ITEM NO.	SHEET NO.
MEADE	4-8705.00	R58

PARCEL NO.	OWNER(S)	TOTAL AREA OF TRACT		PERMANENT R/W ACQUIRED		EASEMENTS		AREA SEVERED				EXCESS PURCHASED		PORTION REMAINING		SEWER SYSTEM TYPE	SEWER SYSTEM AFFECTED BY PROJECT		BUILDINGS ACQUIRED NUMBER				SOURCE OF TITLE	REMARKS	
		ACRES	SQ. FT.	ACRES	SQ. FT.	PERMANENT	TEMPORARY	LEFT		RIGHT		ACRES	SQ. FT.	ACRES	SQ. FT.		YES	NO	C	R	F	S			
								SO. FT.	SO. FT.	ACRES	SO. FT.														
118	NOT USED	---	---	---	---	---	---	---	---	---	---	---	---	---	---	---	-	-	-	-	-	-	---		
119	NOT USED	---	---	---	---	---	---	---	---	---	---	---	---	---	---	---	-	-	-	-	-	-	---		
120	NOT USED	---	---	---	---	---	---	---	---	---	---	---	---	---	---	---	-	-	-	-	-	-	---		
121	NOT USED	---	---	---	---	---	---	---	---	---	---	---	---	---	---	---	-	-	-	-	-	-	---		
122	Ricky Givans Patty J. Givans (wife) (D)	49.485	---	2.373	---	609	8,788	---	---	47.112	---	---	---	---	47.112	---	1	-	x	-	-	-	-	DB. 240 Pg. 346 DB. 506 Pg. 146 DB. 508 Pg. 167 DB. 515 Pg. 172 DB. 529 Pg. 359 DB. 530 Pg. 140 DB. 257 Pg. 134	First Tract, Second Tract, & Third Tract Sell-off (P116) Sell-off (Haught) Quitclaim P112 Sell-off (P115) Electric Easement
123	Christy L. Howell (unmarried) (D)	1.888	---	---	---	---	759	1.888	---	---	---	---	---	---	1.888	---	1	-	x	-	-	-	-	DB. 558 Pg. 177	Parcel 6, Haynes Estates, PB. 5 Pg. 17
124	Jeffrey A. Cannady Leona W. Cannady (wife) (P)	4.426	---	---	215	743	5,690	4.421	---	---	---	---	---	---	4.421	---	4	-	x	-	-	-	-	DB. 386 Pg. 551 DB. 517 Pg. 32 DB. 558 Pg. 174	Lots 6 & 7, Haynes Estates, PB. 5 Pg. 17 Sell-off P123 (Lot 6) Ingress-Egress Easement
125	NOT USED	---	---	---	---	---	---	---	---	---	---	---	---	---	---	---	-	-	-	-	-	-	-	---	
126	Brandenburg Telephone Company (D)	3.576	---	---	2,072	2,757	3,588	3.528	---	---	---	---	---	---	3.528	---	4	-	x	-	-	-	-	DB. 451 Pg. 442	Parcel 8, Haynes Estates, PB. 5 Pg. 17
127	NOT USED	---	---	---	---	---	---	---	---	---	---	---	---	---	---	---	-	-	-	-	-	-	-	---	
128	Brandenburg Communications Lot 9 Corporation (D)	24.680	---	---	2,892	---	---	24.614	---	---	---	---	---	---	24.614	---	4	-	x	-	-	-	-	DB. 432 Pg. 590	Lot #9, Haynes Estates, PB. 5 Pg. 17
128	Brandenburg Communications Lot 10 Corporation (P)	21.908	---	---	3,066	---	---	21.838	---	---	---	---	---	---	21.838	---	4	-	x	-	-	-	-	DB. 386 Pg. 495	Lot #10, Haynes Estates, PB. 5 Pg. 17
128	Brandenburg Communications TOTAL Corporation (D&P)	46.588	---	---	5,958	---	2,625	46.452	---	---	---	---	---	---	46.452	---	4	-	x	-	-	-	-	DB. 386 Pg. 495 DB. 432 Pg. 590	Lot #10, Haynes Estates, PB. 5 Pg. 17 Lot #9, Haynes Estates, PB. 5 Pg. 17
129	NOT USED	---	---	---	---	---	---	---	---	---	---	---	---	---	---	---	-	-	-	-	-	-	-	---	
130	ABCD&T Properties, LLC (D)	10.209	---	---	102	---	10,620	10.207	---	---	---	---	---	---	10.207	---	1	-	x	-	-	-	-	DB. 567 Pg. 174 DB. 389 Pg. 139 DB. 389 Pg. 143 DB. 102 Pg. 379	Lot 11, 12, 13, PB. 5 Pg. 17, (Lot 12, PB. 7 Pg. 137) Sign Easement Sign Easement Ex. R/W KY 79
131	Rachel L. Haught (single) (D)	---	26,136	---	4,725	---	5,500	---	---	---	21,411	---	---	---	21,411	---	1	x	-	-	1	-	-	DB. 439 Pg. 94	
132	Frederick D. Haught (husband) Verna Lou Haught (wife) (D)	67.007	---	---	3,498	239	5,851	---	---	66.927	---	---	---	---	66.927	---	1	-	x	-	-	-	-	DB. 221 Pg. 192 DB. 489 Pg. 478 DB. 551 Pg. 233 DB. 102 Pg. 346 DB. 102 Pg. 347 DB. 103 Pg. 257	Parcel I & Parcel III (Tracts I & II) Ex. R/W By-Pass Ex. R/W KY 79 Ex. R/W KY 79 Ex. R/W KY 79
133	NOT USED	---	---	---	---	---	---	---	---	---	---	---	---	---	---	---	-	-	-	-	-	-	-	---	
134	NOT USED	---	---	---	---	---	---	---	---	---	---	---	---	---	---	---	-	-	-	-	-	-	-	---	
135	Kenneth Keith Haught (husband) Rebecca Sue Haught (wife) (D)	---	40,075	---	---	241	3,879	---	---	---	40,075	---	---	---	40,075	---	1	-	x	-	-	-	-	DB. 455 Pg. 432 DB. 102 Pg. 346 DB. 102 Pg. 347	Ex. R/W KY 79 Ex. R/W KY 79
136	Meade County Bank (C)	---	34,816	---	---	---	455	---	34,816	---	---	---	---	---	34,816	---	1	-	x	-	-	-	-	DB. 558 Pg. 292 DB. 102 Pg. 379	Ex. R/W KY 79
137	NOT USED	---	---	---	---	---	---	---	---	---	---	---	---	---	---	---	-	-	-	-	-	-	-	---	
138	Meade County Rural Electric Cooperative Corporation (C)	17.890	---	---	---	---	1,020	17.890	---	---	---	---	---	---	17.890	---	3	-	x	-	-	-	-	DB. 125 Pg. 321 DB. 102 Pg. 379 DB. 583 Pg. 1	Ex. R/W KY 79 Ex. R/W By-Pass
139	NOT USED	---	---	---	---	---	---	---	---	---	---	---	---	---	---	---	-	-	-	-	-	-	-	---	

- (P) TOTAL AREA OF TRACT FROM RECORDED PLAT
- (D) TOTAL REA OF TRACT FROM RECORDED DEED
- (C) TOTAL AREA OF TRACT CALCULATED

TYPE SEWER SYSTEM
 1 PRIVATE - INDIVIDUAL
 2 PRIVATE - MULTI PARTY
 3 PUBLIC
 4 NONE
 5 NOT APPLICABLE

BUILDINGS ACQUIRED CODE
 C COMMERCIAL
 R RESIDENTIAL
 F FARM
 S STORAGE

RIGHT OF WAY PLANS

CONTROL OF ACCESS ON THIS
PROJECT SHALL BE BY PERMIT

KY 79 MEADE COUNTY
RIGHT OF WAY SUMMARY
SHEET 6 OF 7

FILE NAME: P:\PR52302\CADD\ROADWAY PLANS\R05800RW.DGN

USER: harbour
DATE PLOTTED: February 20, 2015

E-SHEET NAME:

MicroStation v8.11.7.443

RIGHT OF WAY SUMMARY

COUNTY OF	ITEM NO.	SHEET NO.
MEADE	4-8705.00	R59

PARCEL NO.	OWNER(S)	TOTAL AREA OF TRACT		PERMANENT R/W ACQUIRED		EASEMENTS		AREA SEVERED				EXCESS PURCHASED		PORTION REMAINING		SEWER SYSTEM TYPE	SEWER SYSTEM AFFECTED BY PROJECT		BUILDINGS ACQUIRED NUMBER					SOURCE OF TITLE	REMARKS
		ACRES	SQ. FT.	ACRES	SQ. FT.	PERMANENT	TEMPORARY	LEFT		RIGHT		ACRES	SQ. FT.	ACRES	SQ. FT.		YES	NO	C	R	F	S			
								SO. FT.	SO. FT.	ACRES	SO. FT.														
140	Meade County Bank, Inc. (C)	3.278	---	---	1,719	---	8,240	---	---	3.239	---	---	---	---	3.239	---	3	-	x	-	-	-	-	DB. 210 Pg. 77 DB. 247 Pg. 101 DB. 278 Pg. 198 DB. 102 Pg. 347 DB. 102 Pg. 377 DB. 103 Pg. 257 DB. 487 Pg. 460	Ex. R/W KY 79 Ex. R/W KY 79 Ex. R/W KY 1051 (By-Pass) Ex. R/W KY 1051 (By-Pass)
141	Harlan Forrest Berry Virginia Sharon Berry (wife) (D)	9.500	---	---	35,101	1,170	---	8.694	---	---	---	---	---	---	8.694	---	4	-	x	-	-	-	-	DB. 600 Pg. 348	Tract II
142	James H. Hardesty Betty Hardesty (wife) (D)	50.300	---	---	5,410	---	816	50.176	---	---	---	---	---	---	50.176	---	1	-	x	-	-	-	-	DB. 110 Pg. 505	
143	Brandon M. Barr (single) (D)	1.1859	---	---	8,530	---	1,222	---	43,128	---	---	---	---	---	43,128	---	1	-	x	-	-	-	-	DB. 572 Pg. 645	Lot 17 Skelton Estate Subdiv.
144	Pam Ramp (wife) Dan Ramp (husband) (D)	1.2947	---	---	19,303	---	489	---	37,094	---	---	---	---	---	37,094	---	1	-	x	-	-	-	-	DB. 523 Pg. 495	Lot 16 Skelton Estate Subdiv.
145	NOT USED	---	---	---	---	---	---	---	---	---	---	---	---	---	---	---	---	-	-	-	-	-	-	---	
146	NOT USED	---	---	---	---	---	---	---	---	---	---	---	---	---	---	---	---	-	-	-	-	-	-	---	
147	Frank Busam Jacquelyn J. Brown (D)	5.5992	---	---	1,449	1,497	---	5.5659	---	---	---	---	---	---	5.5659	---	1	-	x	-	-	-	-	DB. 363 Pg. 208 DB. 382 Pg. 403	(Sell-off) (Parcel 149)
148	NOT USED	---	---	---	---	---	---	---	---	---	---	---	---	---	---	---	---	-	-	-	-	-	-	---	
149	Mark Smith (D)	1.537	---	---	4,296	---	308	1.438	---	---	---	---	---	---	1.438	---	1	-	x	-	-	-	-	DB. 595 Pg. 435	
150	Joseph Mark Ray (unmarried) (1/2 Interest) Kenneth Stephen Ray (married) (1/2 Interest) (C)	---	32,041	---	3,457	---	459	---	---	---	28,584	---	---	---	28,584	---	1	-	x	-	-	-	-	DB. 585 Pg. 425	
151	Clyde W. Miller Lucille Miller (wife) (D)	1.500	---	---	2,422	---	493	1.444	---	---	---	---	---	---	1.444	---	1	-	x	-	-	-	-	DB. 101 Pg. 122	
152	Mary Ann Ray (C)	---	2,100	---	---	---	249	---	---	---	2,100	---	---	---	2,100	---	4	-	x	-	-	-	-	DB. 145 Pg. 20 DB. 429 Pg. 330	Sell-off (Parcel 5)
153	Michael R. Parr Betty A. Parr (wife) (D)	1.200	---	---	6,230	---	1,676	1.057	---	---	---	---	---	---	1.057	---	1	-	x	-	-	-	-	DB. 608 Pg. 277	(Sell-off from P79)

- (P) TOTAL AREA OF TRACT FROM RECORDED PLAT
- (D) TOTAL REA OF TRACT FROM RECORDED DEED
- (C) TOTAL AREA OF TRACT CALCULATED

FILE NAME: P:\PR52302\CADD\ROADWAY PLANS\RO5900RW.DGN

USER: harbour
DATE PLOTTED: February 20, 2015

E-SHEET NAME:

MicroStation v8.11.7.443

TYPE SEWER SYSTEM
 1 PRIVATE - INDIVIDUAL
 2 PRIVATE - MULTI PARTY
 3 PUBLIC
 4 NONE
 5 NOT APPLICABLE

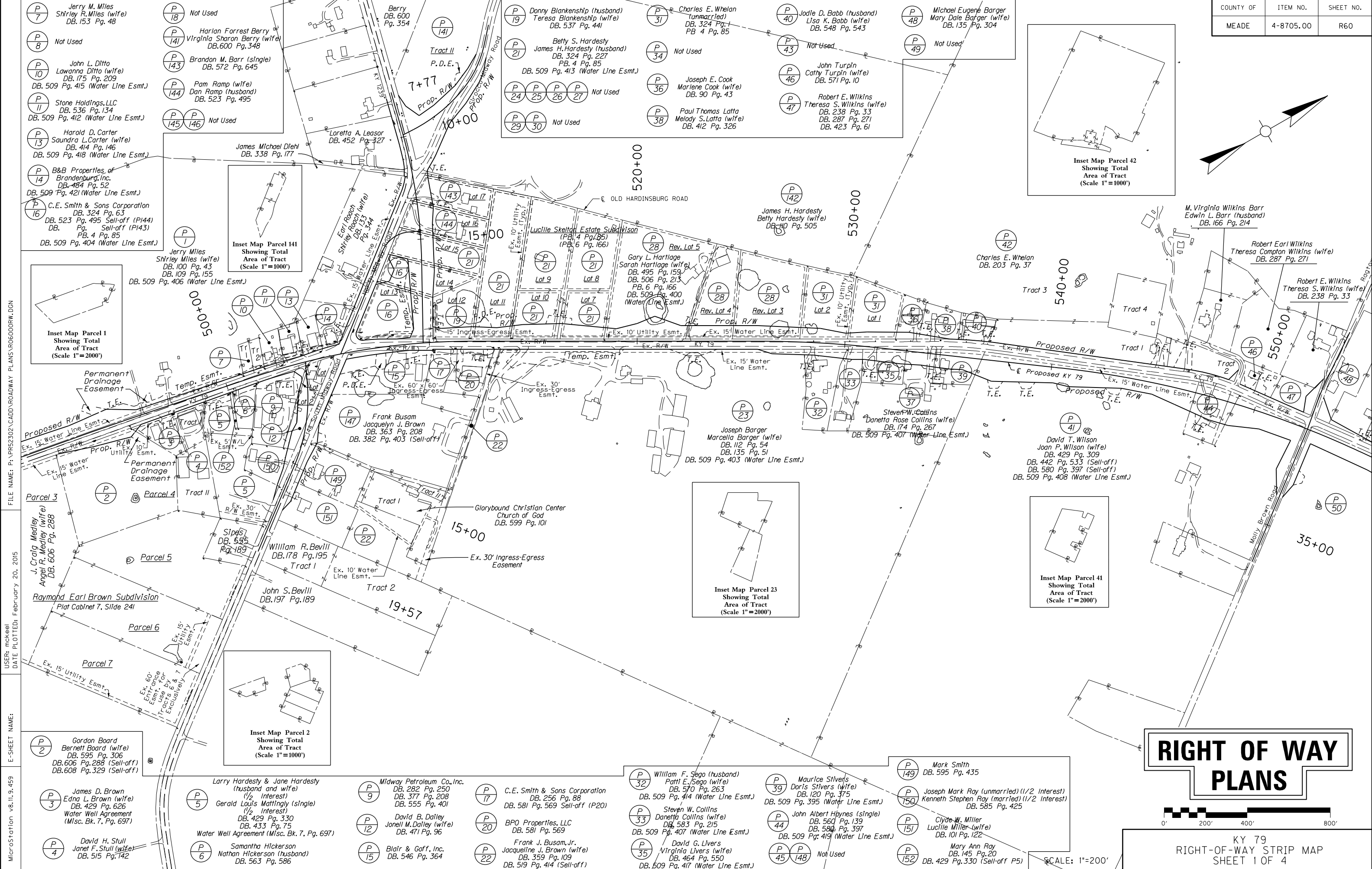
BUILDINGS ACQUIRED CODE
 C COMMERCIAL
 R RESIDENTIAL
 F FARM
 S STORAGE

**RIGHT OF WAY
PLANS**

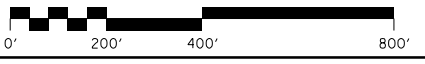
CONTROL OF ACCESS ON THIS
PROJECT SHALL BE BY PERMIT

KY 79 MEADE COUNTY
RIGHT OF WAY SUMMARY
SHEET 7 OF 7

COUNTY OF	ITEM NO.	SHEET NO.
MEADE	4-8705.00	R60



RIGHT OF WAY PLANS



KY 79
RIGHT-OF-WAY STRIP MAP
SHEET 1 OF 4

SCALE: 1"=200'

FILE NAME: P:\RIS2302\CADD\ROADWAY PLANS\R06000RW.DGN
 USER: mckeele
 DATE PLOTTED: February 20, 2015
 E-SHEET NAME:
 MicroStation v8.11.9.459

- (P 7) Jerry M. Miles
Shirley R. Miles (wife)
DB. 153 Pg. 48
- (P 8) Not Used
- (P 10) John L. Ditto
Lawanna Ditto (wife)
DB. 175 Pg. 209
DB. 509 Pg. 415 (Water Line Esmt.)
- (P 11) Stone Holdings, LLC
DB. 536 Pg. 134
DB. 509 Pg. 412 (Water Line Esmt.)
- (P 13) Harold D. Carter
Saundra L. Carter (wife)
DB. 414 Pg. 146
DB. 509 Pg. 418 (Water Line Esmt.)
- (P 14) B&B Properties of
Brandenburg, Inc.
DB. 484 Pg. 52
DB. 509 Pg. 421 (Water Line Esmt.)
- (P 16) C.E. Smith & Sons Corporation
DB. 324 Pg. 63
DB. 523 Pg. 495 Sell-off (P144)
DB. Pg. Sell-off (P143)
PB. 4 Pg. 85
DB. 509 Pg. 404 (Water Line Esmt.)

- (P 18) Not Used
- (P 141) Harlan Forrest Berry
Virginia Sharon Berry (wife)
DB. 600 Pg. 348
- (P 143) Brandon M. Barr (single)
DB. 572 Pg. 645
- (P 144) Pam Ramp (wife)
Dan Ramp (husband)
DB. 523 Pg. 495
- (P 145) Not Used
- (P 146) Not Used

- (P 147) Loretta A. Leasor
DB. 452 Pg. 327
- (P 148) James Michael Diehl
DB. 338 Pg. 177
- (P 149) Jerry Miles
Shirley Miles (wife)
DB. 100 Pg. 43
DB. 109 Pg. 155
DB. 509 Pg. 406 (Water Line Esmt.)

- (P 19) Donny Blankenship (husband)
Teresa Blankenship (wife)
DB. 537 Pg. 441
- (P 21) Betty S. Hardesty
James H. Hardesty (husband)
DB. 324 Pg. 227
PB. 4 Pg. 85
DB. 509 Pg. 413 (Water Line Esmt.)
- (P 24) Not Used
- (P 25) Not Used
- (P 26) Not Used
- (P 27) Not Used
- (P 29) Not Used
- (P 30) Not Used

- (P 31) Charles E. Whelan
(unmarried)
DB. 324 Pg. 1
PB. 4 Pg. 85
- (P 34) Not Used
- (P 36) Joseph E. Cook
Marlene Cook (wife)
DB. 90 Pg. 43
- (P 38) Paul Thomas Latta
Melody S. Latta (wife)
DB. 412 Pg. 326

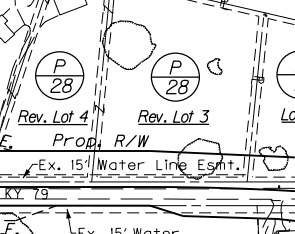
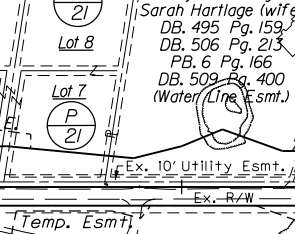
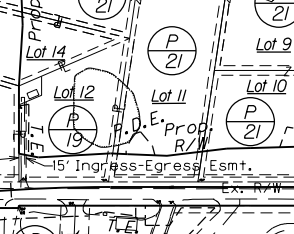
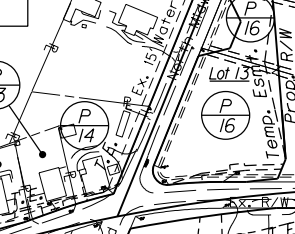
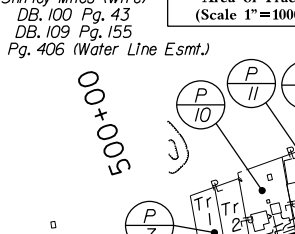
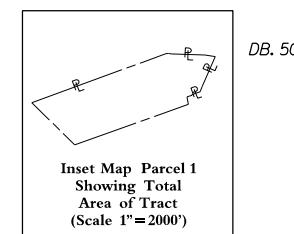
- (P 40) Jodie D. Babb (husband)
Lisa K. Babb (wife)
DB. 548 Pg. 543
- (P 43) Not Used
- (P 46) John Turpin
Cathy Turpin (wife)
DB. 571 Pg. 10
- (P 47) Robert E. Wilkins
Theresa S. Wilkins (wife)
DB. 238 Pg. 33
DB. 287 Pg. 271
DB. 423 Pg. 61

- (P 48) Michael Eugene Barger
Mary Dale Barger (wife)
DB. 135 Pg. 304
- (P 49) Not Used

- (P 142) James H. Hardesty
Betty Hardesty (wife)
DB. 110 Pg. 505
- (P 42) Charles E. Whelan
DB. 203 Pg. 37

- (P 46) M. Virginia Wilkins Barr
Edwin L. Barr (husband)
DB. 166 Pg. 214
- (P 47) Robert Earl Wilkins
Theresa Compton Wilkins (wife)
DB. 287 Pg. 271
- (P 48) Robert E. Wilkins
Theresa S. Wilkins (wife)
DB. 238 Pg. 33

- (P 49) David T. Wilson
Joan P. Wilson (wife)
DB. 429 Pg. 309
DB. 442 Pg. 533 (Sell-off)
DB. 580 Pg. 397 (Sell-off)
DB. 509 Pg. 408 (Water Line Esmt.)
- (P 50) Not Used



- (P 2) Gordon Board
Bernett Board (wife)
DB. 595 Pg. 306
DB. 606 Pg. 288 (Sell-off)
DB. 608 Pg. 329 (Sell-off)
- (P 3) James D. Brown
Edna L. Brown (wife)
DB. 429 Pg. 626
Water Well Agreement
(Misc. Bk. 7, Pg. 697)
- (P 4) David H. Stull
Janet F. Stull (wife)
DB. 515 Pg. 142

- (P 5) Larry Hardesty & Jane Hardesty
(husband and wife)
(1/2 Interest)
Gerald Louis Mattingly (single)
(1/2 Interest)
DB. 429 Pg. 330
DB. 433 Pg. 75
Water Well Agreement (Misc. Bk. 7, Pg. 697)
- (P 6) Samantha Hickerson
Nathan Hickerson (husband)
DB. 563 Pg. 586

- (P 9) Midway Petroleum Co., Inc.
DB. 282 Pg. 250
DB. 377 Pg. 208
DB. 555 Pg. 401
- (P 12) David B. Dalley
Jonell M. Dalley (wife)
DB. 471 Pg. 96
- (P 15) Blair & Goff, Inc.
DB. 546 Pg. 364

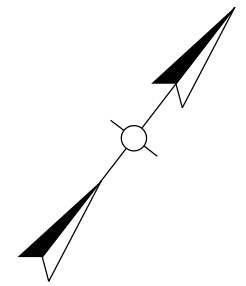
- (P 17) C.E. Smith & Sons Corporation
DB. 256 Pg. 88
DB. 581 Pg. 569 Sell-off (P20)
- (P 20) BPO Properties, LLC
DB. 581 Pg. 569
- (P 22) Frank J. Busam, Jr.
Jacqueline J. Brown (wife)
DB. 359 Pg. 109
DB. 519 Pg. 414 (Sell-off)

- (P 32) William F. Sego (husband)
Patti E. Sego (wife)
DB. 570 Pg. 263
DB. 509 Pg. 414 (Water Line Esmt.)
- (P 33) Steven W. Collins
Danetta Collins (wife)
DB. 583 Pg. 215
DB. 509 Pg. 407 (Water Line Esmt.)
- (P 35) David G. Livers
Virginia Livers (wife)
DB. 464 Pg. 550
DB. 509 Pg. 417 (Water Line Esmt.)

- (P 39) Maurice Stivers
Doris Stivers (wife)
DB. 120 Pg. 375
DB. 509 Pg. 395 (Water Line Esmt.)
- (P 44) John Albert Hynes (single)
DB. 560 Pg. 139
DB. 580 Pg. 397
DB. 509 Pg. 419 (Water Line Esmt.)
- (P 45) Not Used
- (P 148) Not Used

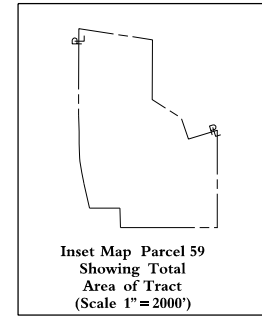
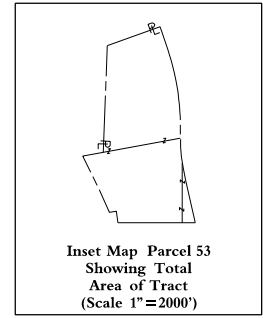
- (P 149) Mark Smith
DB. 595 Pg. 435
- (P 150) Joseph Mark Ray (unmarried) (1/2 Interest)
Kenneth Stephen Ray (married) (1/2 Interest)
DB. 585 Pg. 425
- (P 151) Clyde W. Miller
Lucille Miller (wife)
DB. 101 Pg. 122
- (P 152) Mary Ann Ray
DB. 145 Pg. 20
DB. 429 Pg. 330 (Sell-off P5)

COUNTY OF	ITEM NO.	SHEET NO.
MEADE	4-8705.00	R61

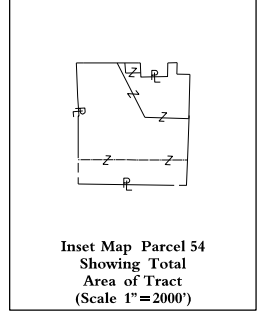
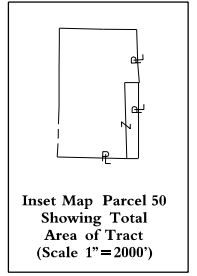
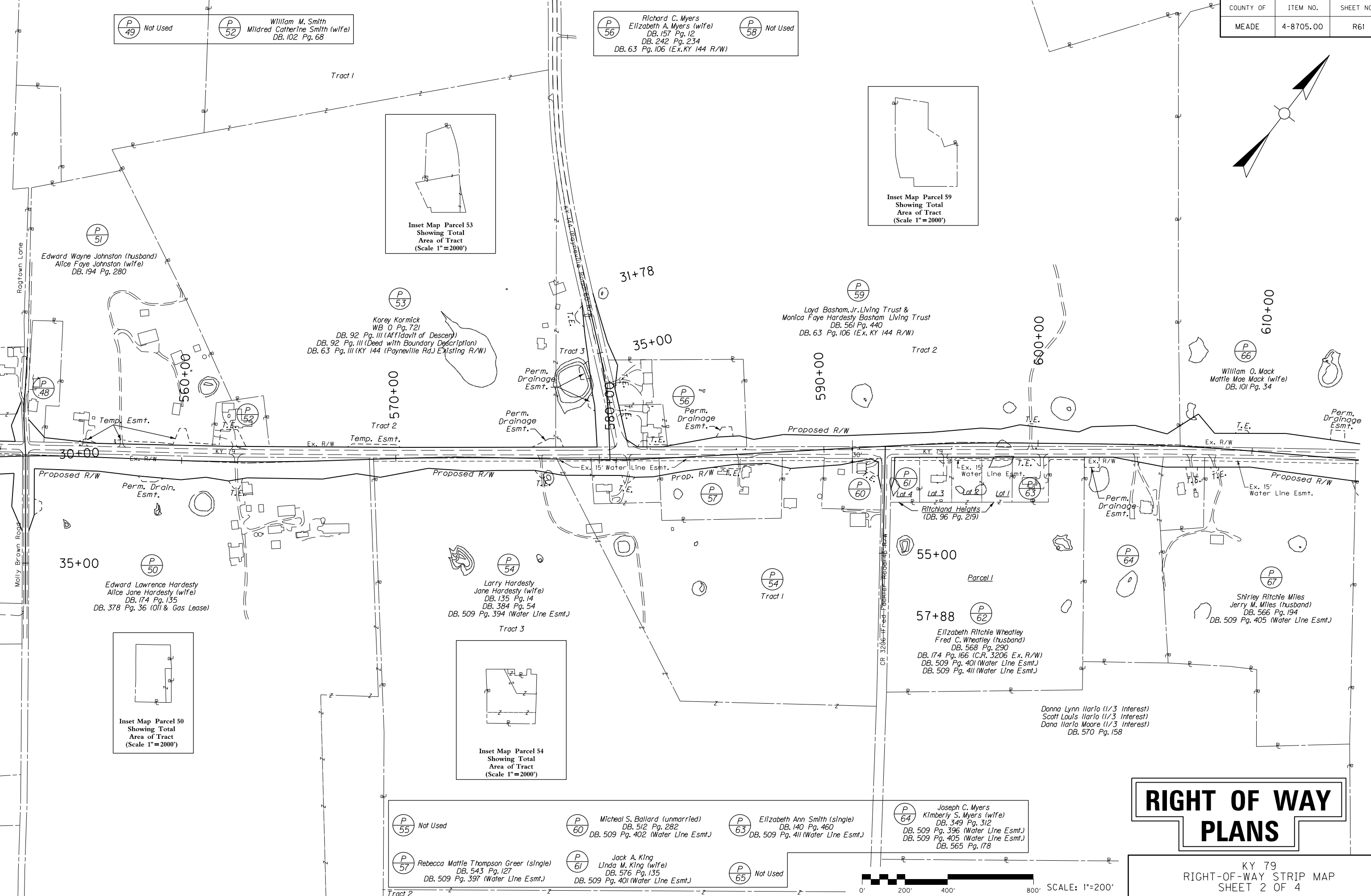


(P 49) Not Used (P 52) William M. Smith
Mildred Catherine Smith (wife)
DB. 102 Pg. 68

(P 56) Richard C. Myers
Elizabeth A. Myers (wife)
DB. 157 Pg. 12
DB. 242 Pg. 234
DB. 63 Pg. 106 (Ex. KY 144 R/W) (P 58) Not Used



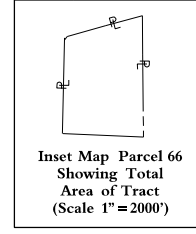
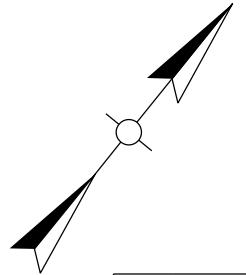
FILE NAME: P:\P\2302\CADD\ROADWAY PLANS\RO6100RW.DGN
 USER: mckeel
 DATE PLOTTED: February 20, 2015
 E-SHEET NAME:
 MicroStation v8.11.9.459



RIGHT OF WAY PLANS

KY 79
RIGHT-OF-WAY STRIP MAP
SHEET 2 OF 4





FILE NAME: P:\FRS2302\CADD\ROADWAY PLANS\RO6200RW.DGN

USER: mckee
DATE PLOTTED: February 20, 2015

E-SHEET NAME:
MicroStation v8.11.9.459

(A) Jeffrey A. Cannady
Leona W. Cannady (wife)
DB. 413 Pg. 423
Plat Cabinet 5, Pg. 126

(P 74) DB Properties, LLC
DB. 534 Pg. 477

(P 82) Not Used

(P 85) Not Used

(P 86) Not Used

(P 89) Not Used

(P 90) Not Used

(P 92) Not Used

(P 105) Not Used

(P 97) Not Used

(P 107) Greg Shoulders
Trina Shoulders (wife)
DB. 387 Pg. 355
PB. 7 Pg. 10

(P 107) Timothy Dale Baskins
Samatha Jean Thomas-Baskins (wife)
DB. 405 Pg. 170

(P 108) Samuel Alfred Thomas
Nina M. Thomas (wife)
DB. 199 Pg. 235
DB. 341 Pg. 47
DB. 386 Pg. 567
PB. 5 Pg. 17

(P 110) Not Used

(P 111) Not Used

(P 84) David M. Burnett
Diane M. Burnett (wife)
DB. 413 Pg. 260
PB. 5 Pg. 126

(P 95) Thomas W. Fulkerson
Janet R. Fulkerson (wife)
DB. 565 Pg. 480
PB. 7 Pg. 10

(P 153) Michael R. Parr
Betty A. Parr (wife)
DB. 608 Pg. 277

Whelan Ponds Subdivision
(Plat Cabinet 7, Sheet 78)

John S. O'Bryan
Wilma H. O'Bryan
DB. 539 Pg. 550

Fannie Mann Subdivision
(PB. 5 Pg. 126)

(P 69) James L. Whelan (married)
DB. 408 Pg. 379
DB. 530 Pg. 73 (Sell-off)

(P 66) William O. Mack
Mattie Mae Mack (wife)
DB. 101 Pg. 34

(P 66) William O. Mack
Mattie Mae Mack (wife)
DB. 101 Pg. 34

(P 72) John S. O'Bryan
Wilma H. O'Bryan (wife)
DB. 539 Pg. 550
Parcel 1

(P 75) Michael Boland (husband)
Ann M. Boland (wife)
DB. 320 Pg. 72

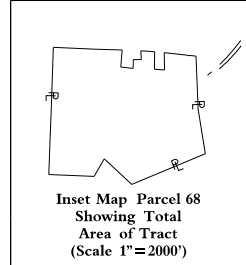
(P 79) Michael R. Parr
Betty A. Parr (wife)
DB. 460 Pg. 569

(P 79) Michael R. Parr
Betty A. Parr (wife)
DB. 578 Pg. 169
DB. 608 Pg. 277 (Sell-off P153)

(P 76) Mike Parr (single)
DB. 421 Pg. 340

(P 74) John E. Schwamberger
Linda J. Schwamberger
DB. 564 Pg. 243

(P 68) Benjamin O. Wilson
Margaret M. Wilson (wife)
DB. 387 Pg. 403
DB. 509 Pg. 409 (Water Line Esmt.)



(P 70) Kenneth L. Gayler
Brenda Gayler (wife)
DB. 311 Pg. 310
DB. 509 Pg. 420 (Water Line Esmt.)

(P 71) Stephen L. Spink
Vicki Spink (wife)
DB. 351 Pg. 1
DB. 509 Pg. 410 (Water Line Esmt.)

(P 73) James S. Wilson (husband)
Isabel Wilson (wife)
DB. 123 Pg. 471
DB. 387 Pg. 403 (Sell-off (P68))
DB. 509 Pg. 398 (Water Line Esmt.)

(P 78) Patricia Diann Shreman (married)
DB. 469 Pg. 431
DB. 509 Pg. 399 (Water Line Esmt.)

(P 80) Leo B. Hardesty
DB. 606 Pg. 271
DB. 426 Pg. 598 (Water Line Esmt.)

(P 83) Michael W. Robinson
Melissa D. Robinson (wife)
DB. 408 Pg. 96
DB. 425 Pg. 390
PB. 2 Pg. 77

(P 87) Kenneth L. Bruner
Mary E. Bruner (wife)
DB. 249 Pg. 237
PB. 2 Pg. 77
DB. 425 Pg. 278 (Water Line Esmt.)

(P 91) Kenneth L. Bruner
Mary E. Bruner (wife)
DB. 300 Pg. 19
DB. 301 Pg. 168
PB. 2 Pg. 5
DB. 425 Pg. 278 (Water Line Esmt.)

(P 93) Not Used

(P 94) James P. Vessels, Sr.
Marilyn S. Vessels (wife)
DB. 390 Pg. 324
PB. 2 Pg. 5
DB. 431 Pg. 476 (Water Line Esmt.)

(P 96) Patrick C. Wheatley
Mary Leona Wheatley (wife)
DB. 327 Pg. 323
DB. 340 Pg. 214
DB. 343 Pg. 109
DB. 390 Pg. 324 (Sell-off (P94))
DB. 426 Pg. 596 (Water Line Esmt.)
PB. 2 Pg. 5

(P 98) Not Used

(P 103) Tabernacle of Worship, Inc.
DB. 459 Pg. 300
PB. 5 Pg. 142

(P 104) Not Used

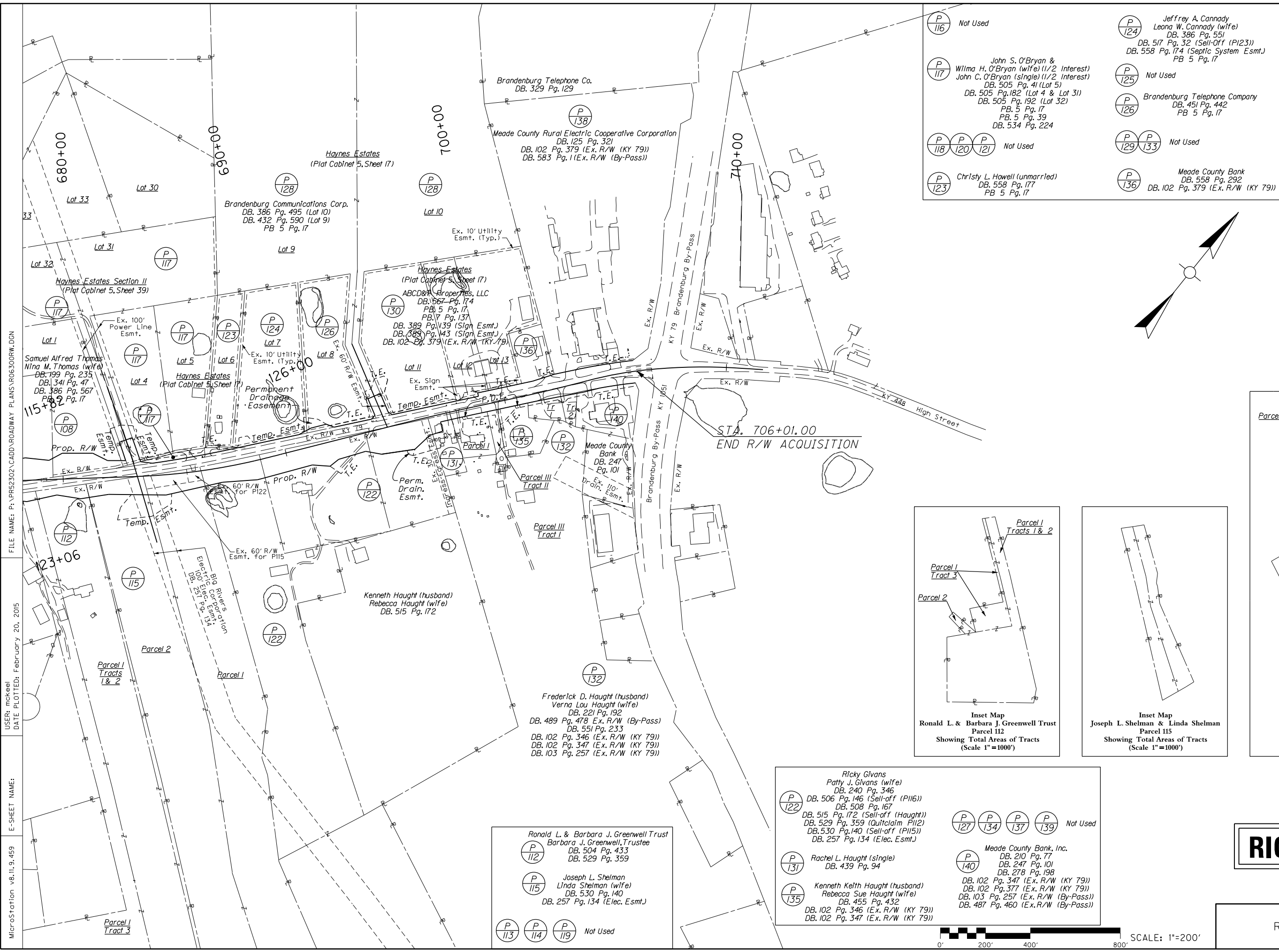
(P 109) Ronald L. Greenwell
Barbara J. Greenwell (wife)
DB. 372 Pg. 4

(P 112) Ronald L. & Barbara J. Greenwell Trust
Barbara J. Greenwell, Trustee
DB. 504 Pg. 433
DB. 529 Pg. 359

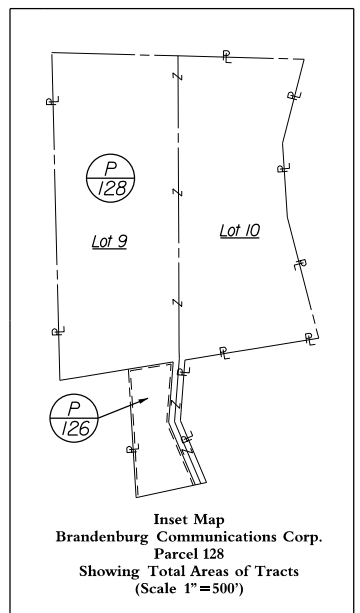
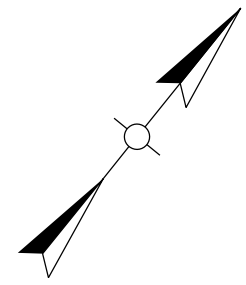
RIGHT OF WAY PLANS



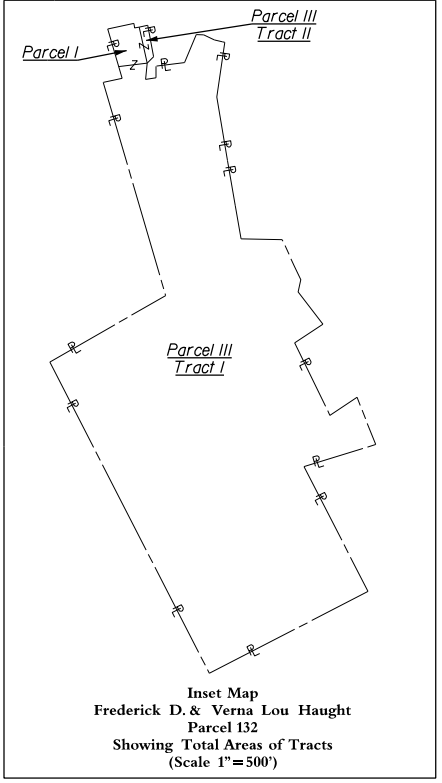
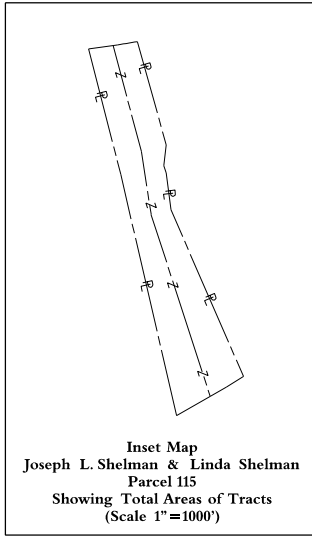
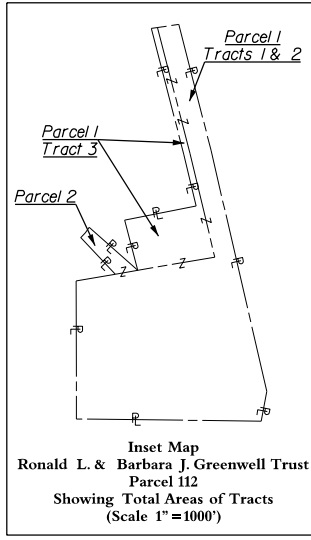
COUNTY OF	ITEM NO.	SHEET NO.
MEADE	4-8705.00	R63



- (P 116) Not Used
- (P 117) John S. O'Bryan & Willma H. O'Bryan (wife) (1/2 Interest) John C. O'Bryan (single) (1/2 Interest) DB. 505 Pg. 41 (Lot 5) DB. 505 Pg. 182 (Lot 4 & Lot 31) DB. 505 Pg. 192 (Lot 32) PB. 5 Pg. 17 PB. 5 Pg. 39 DB. 534 Pg. 224
- (P 118) (P 120) (P 121) Not Used
- (P 119) Not Used
- (P 122) Not Used
- (P 123) Christy L. Howell (unmarried) DB. 558 Pg. 177 PB. 5 Pg. 17
- (P 124) Jeffrey A. Cannady Leona W. Cannady (wife) DB. 386 Pg. 551 DB. 517 Pg. 32 (Self-Off (P123)) DB. 558 Pg. 174 (Septic System Esmt.) PB. 5 Pg. 17
- (P 125) Not Used
- (P 126) Brandenburg Telephone Company DB. 451 Pg. 442 PB. 5 Pg. 17
- (P 129) (P 133) Not Used
- (P 136) Meade County Bank DB. 558 Pg. 292 DB. 102 Pg. 379 (Ex. R/W (KY 79))



STA. 706+01.00
END R/W ACQUISITION



- (P 112) Ronald L. & Barbara J. Greenwell Trust Barbara J. Greenwell, Trustee DB. 504 Pg. 433 DB. 529 Pg. 359
- (P 115) Joseph L. Shelman Linda Shelman (wife) DB. 530 Pg. 140 DB. 257 Pg. 134 (Elec. Esmt.)
- (P 113) (P 114) (P 119) Not Used

- (P 122) Ricky Givans Patty J. Givans (wife) DB. 240 Pg. 346 DB. 506 Pg. 146 (Self-off (P116)) DB. 508 Pg. 167 DB. 515 Pg. 172 (Self-off (Haught)) DB. 529 Pg. 359 (Quitclaim P112) DB. 530 Pg. 140 (Self-off (P115)) DB. 257 Pg. 134 (Elec. Esmt.)
- (P 127) (P 134) (P 137) (P 139) Not Used
- (P 131) Rachel L. Haught (single) DB. 439 Pg. 94
- (P 135) Kenneth Keith Haught (husband) Rebecca Sue Haught (wife) DB. 455 Pg. 432 DB. 102 Pg. 346 (Ex. R/W (KY 79)) DB. 102 Pg. 347 (Ex. R/W (KY 79))
- (P 140) Meade County Bank, Inc. DB. 210 Pg. 77 DB. 247 Pg. 101 DB. 278 Pg. 198 DB. 102 Pg. 347 (Ex. R/W (KY 79)) DB. 102 Pg. 377 (Ex. R/W (KY 79)) DB. 103 Pg. 257 (Ex. R/W (By-Pass)) DB. 487 Pg. 460 (Ex. R/W (By-Pass))



RIGHT OF WAY PLANS

KY 79
RIGHT-OF-WAY STRIP MAP
SHEET 4 OF 4

FILE NAME: P:\P182302\CADD\ROADWAY PLANS\RO6300RW.DGN
 USER: mckee
 DATE PLOTTED: February 20, 2015
 E-SHEET NAME:
 MicroStation v8.11.9.459

E Relocated KY 1239
Curve Data
PI Sta. 12+95.56
Delta = 14°47'33" Rt.
T = 320.63'
L = 637.70'
R = 2470.00'
E = 20.72'

F Sirocco-Midway
Road Curve Data
P.I. Sta. 195+18.66
Delta = 27°53'27" Rt.
T = 130.37'
L = 255.56'
R = 525.00'
E = 15.94'

G Sirocco-Midway Road
Curve Data
P.I. Sta. 197+95.31
Delta = 22°50'03" Rt.
T = 151.46'
L = 298.90'
R = 750.00'
E = 15.14'

H North Midway Road Connector
and Cul-de-Sac Curve Data
P.I. Sta. 301+46.45
Delta = 63°15'27" Lt.
T = 92.38'
L = 165.61'
R = 150.00'
E = 26.17'

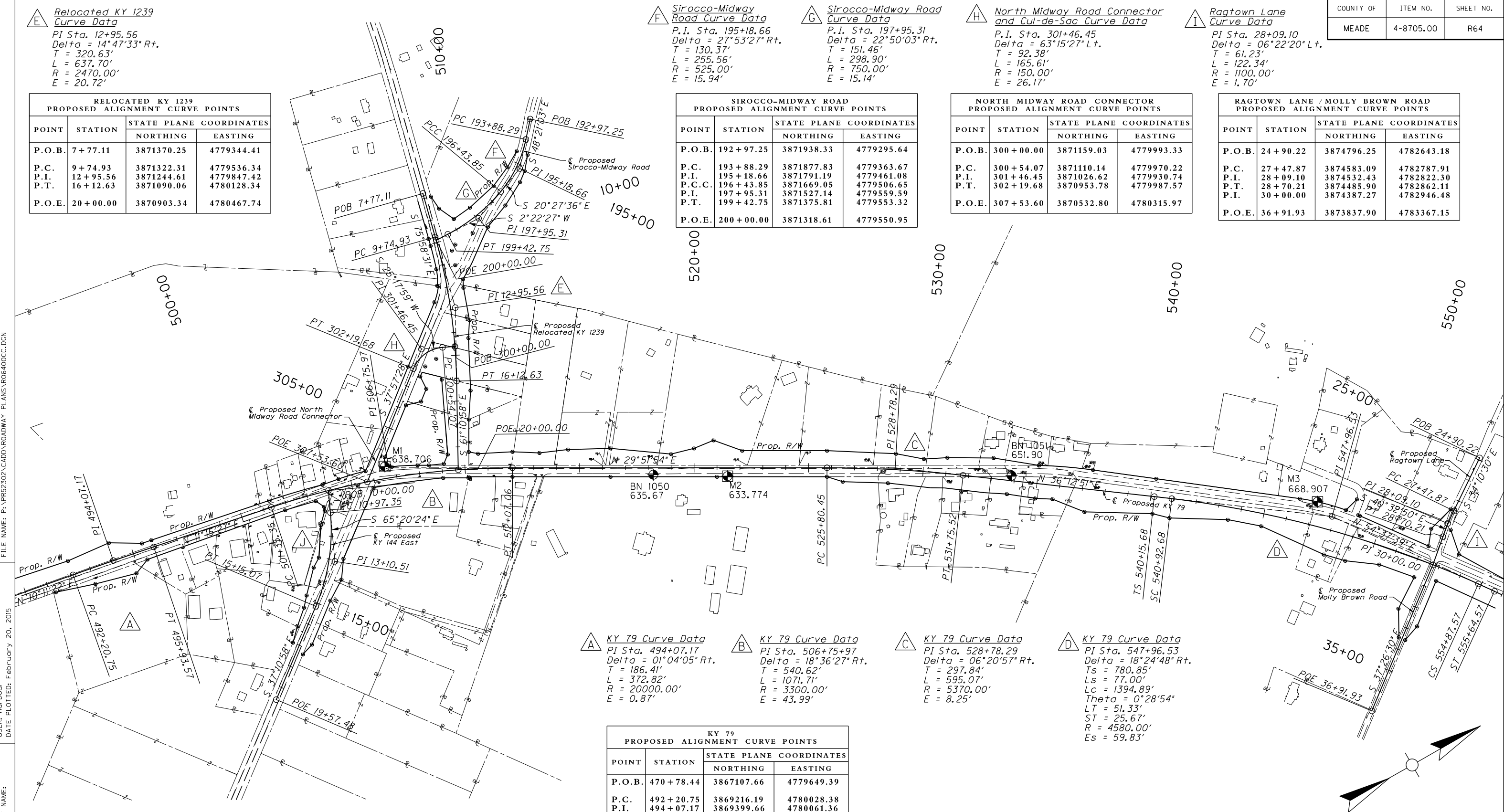
I Ragtown Lane
Curve Data
PI Sta. 28+09.10
Delta = 06°22'20" Lt.
T = 61.23'
L = 122.34'
R = 1100.00'
E = 1.70'

RELOCATED KY 1239 PROPOSED ALIGNMENT CURVE POINTS			
POINT	STATION	STATE PLANE COORDINATES	
		NORTHING	EASTING
P.O.B.	7+77.11	3871370.25	4779344.41
P.C.	9+74.93	3871322.31	4779536.34
P.I.	12+95.56	3871244.61	4779847.42
P.T.	16+12.63	3871090.06	4780128.34
P.O.E.	20+00.00	3870903.34	4780467.74

SIROCCO-MIDWAY ROAD PROPOSED ALIGNMENT CURVE POINTS			
POINT	STATION	STATE PLANE COORDINATES	
		NORTHING	EASTING
P.O.B.	192+97.25	3871938.33	4779295.64
P.C.	193+88.29	3871877.83	4779363.67
P.I.	195+18.66	3871791.19	4779461.08
P.C.C.	196+43.85	3871669.05	4779506.65
P.I.	197+95.31	3871527.14	4779559.59
P.T.	199+42.75	3871375.81	4779553.32
P.O.E.	200+00.00	3871318.61	4779550.95

NORTH MIDWAY ROAD CONNECTOR PROPOSED ALIGNMENT CURVE POINTS			
POINT	STATION	STATE PLANE COORDINATES	
		NORTHING	EASTING
P.O.B.	300+00.00	3871159.03	4779993.33
P.C.	300+54.07	3871110.14	4779970.22
P.I.	301+46.45	3871026.62	4779930.74
P.T.	302+19.68	3870953.78	4779987.57
P.O.E.	307+53.60	3870532.80	4780315.97

RAGTOWN LANE / MOLLY BROWN ROAD PROPOSED ALIGNMENT CURVE POINTS			
POINT	STATION	STATE PLANE COORDINATES	
		NORTHING	EASTING
P.O.B.	24+90.22	3874796.25	4782643.18
P.C.	27+47.87	3874583.09	4782787.91
P.I.	28+09.10	3874532.43	4782822.30
P.T.	28+70.21	3874485.90	4782862.11
P.I.	30+00.00	3874387.27	4782946.48
P.O.E.	36+91.93	3873837.90	4783367.15



FILE NAME: P:\PBR2302\CADD\ROADWAY PLANS\R06400CC.DGN
 USER: harbour
 DATE PLOTTED: February 20, 2015
 E-SHEET NAME:
 MicroStation v8.11.7.443

J KY 144 East
PI Sta. 13+10.51
Delta = 28°09'26" Rt.
T = 213.17'
L = 417.72'
R = 850.00'
E = 26.32'

KY 144 EAST PROPOSED ALIGNMENT CURVE POINTS			
POINT	STATION	STATE PLANE COORDINATES	
		NORTHING	EASTING
P.O.B.	10+00.00	3870366.60	4780264.27
P.C.	10+97.35	3870325.99	4780352.73
P.I.	13+10.51	3870237.05	4780546.46
P.T.	15+15.07	3870067.22	4780675.29
P.O.E.	19+57.48	3869714.74	4780942.67

A KY 79 Curve Data
PI Sta. 494+07.17
Delta = 01°04'05" Rt.
T = 186.41'
L = 372.82'
R = 20000.00'
E = 0.87'

B KY 79 Curve Data
PI Sta. 506+75.97
Delta = 18°36'27" Rt.
T = 540.62'
L = 1071.71'
R = 3300.00'
E = 43.99'

C KY 79 Curve Data
PI Sta. 528+78.29
Delta = 06°20'57" Rt.
T = 297.84'
L = 595.07'
R = 5370.00'
E = 8.25'

D KY 79 Curve Data
PI Sta. 547+96.53
Delta = 18°24'48" Rt.
Ts = 780.85'
Ls = 77.00'
Lc = 1394.89'
Theta = 0°28'54"
LT = 51.33'
ST = 25.67'
R = 4580.00'
Es = 59.83'

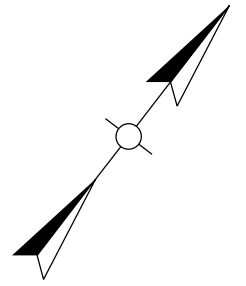
KY 79 PROPOSED ALIGNMENT CURVE POINTS			
POINT	STATION	STATE PLANE COORDINATES	
		NORTHING	EASTING
P.O.B.	470+78.44	3867107.66	4779649.39
P.C.	492+20.75	3869216.19	4780028.38
P.I.	494+07.17	3869399.66	4780061.36
P.T.	495+93.57	3869582.49	4780097.75
P.C.	501+35.35	3870113.84	4780203.51
P.I.	506+75.97	3870644.06	4780309.05
P.T.	512+07.06	3871112.88	4780578.26
P.C.	525+80.45	3872303.89	4781262.15
P.I.	528+78.29	3872562.17	4781410.46
P.T.	531+75.52	3872802.48	4781586.42
T.S.	540+15.68	3873480.33	4782082.79
S.C.	540+92.68	3873542.32	4782128.46
P.I.	547+96.53	3874110.33	4782544.12
C.S.	554+87.57	3874517.61	4783118.18
S.T.	555+64.57	3874562.36	4783180.84

CONTROL POINT LEGEND	
	Woolpert, Inc. (Horizontal and Vertical Control Monument)
	Burgess & Niple, Inc. (Horizontal and Vertical Control Point)



**RIGHT OF WAY
PLANS**

KY 79
COORDINATE CONTROL SHEET
SHEET 1 OF 9



KY 79 PROPOSED ALIGNMENT CURVE POINTS			
POINT	STATION	STATE PLANE COORDINATES	
		NORTHING	EASTING
P.C.	559+56.99	3874789.53	4783500.82
P.I.	563+06.04	3874991.59	4783785.43
P.T.	566+54.80	3875213.00	4784055.27

KY 79 PROPOSED ALIGNMENT CURVE POINTS			
POINT	STATION	STATE PLANE COORDINATES	
		NORTHING	EASTING
P.C.	570+85.26	3875486.05	4784388.04
P.I.	572+75.32	3875606.62	4784534.97
P.T.	574+65.29	3875719.20	4784688.09

KY 79 PROPOSED ALIGNMENT CURVE POINTS			
POINT	STATION	STATE PLANE COORDINATES	
		NORTHING	EASTING
P.C.	577+80.60	3875905.98	4784942.12
P.I.	580+54.23	3876068.07	4785162.58
P.T.	583+27.59	3876246.53	4785370.00

KY 79 PROPOSED ALIGNMENT CURVE POINTS			
POINT	STATION	STATE PLANE COORDINATES	
		NORTHING	EASTING
P.C.	593+00.07	3876880.79	4786107.17
P.I.	596+28.06	3877094.72	4786355.81
P.T.	599+55.83	3877291.89	4786617.93

KY 79 PROPOSED ALIGNMENT CURVE POINTS			
POINT	STATION	STATE PLANE COORDINATES	
		NORTHING	EASTING
P.C.	602+86.15	3877490.46	4786881.90
P.I.	606+42.90	3877704.91	4787167.00
P.T.	609+99.35	3877898.51	4787466.65

K KY 79 Curve Data
 PI Sta. 563+06.04
 Delta = 3°59'53" Lt.
 T = 349.04'
 L = 697.81'
 R = 10000.00'
 E = 6.09'

L KY 79 Curve Data
 PI Sta. 572+75.32
 Delta = 3°02'43" Rt.
 T = 190.06'
 L = 380.04'
 R = 7150.00'
 E = 2.53'

M KY 79 Curve Data
 PI Sta. 580+54.23
 Delta = 4°23'00" Lt.
 T = 273.63'
 L = 546.99'
 R = 7150.00'
 E = 5.23'

N KY 79 Curve Data
 PI Sta. 596+28.06
 Delta = 3°45'26" Rt.
 T = 328.00'
 L = 655.76'
 R = 10000.00'
 E = 5.38'
 e = NC

O KY 79 Curve Data
 PI Sta. 606+42.90
 Delta = 4°05'11" Rt.
 T = 356.75'
 L = 713.20'
 R = 10000.00'
 E = 6.36'
 e = NC

P KY 144 West Curve Data
 PI Sta. 36+50.81
 Delta = 10°54'34" Rt.
 T = 191.94'
 L = 382.72'
 R = 2010.00'
 E = 9.14'

KY 144 WEST PROPOSED ALIGNMENT CURVE POINTS			
POINT	STATION	STATE PLANE COORDINATES	
		NORTHING	EASTING
P.O.B.	31+50.00	3876626.46	4784506.46
P.C.	34+58.87	3876430.28	4784745.02
P.I.	36+50.81	3876308.36	4784893.27
P.T.	38+41.59	3876160.60	4785015.77
P.O.E.	40+00.00	3876038.64	4785116.87

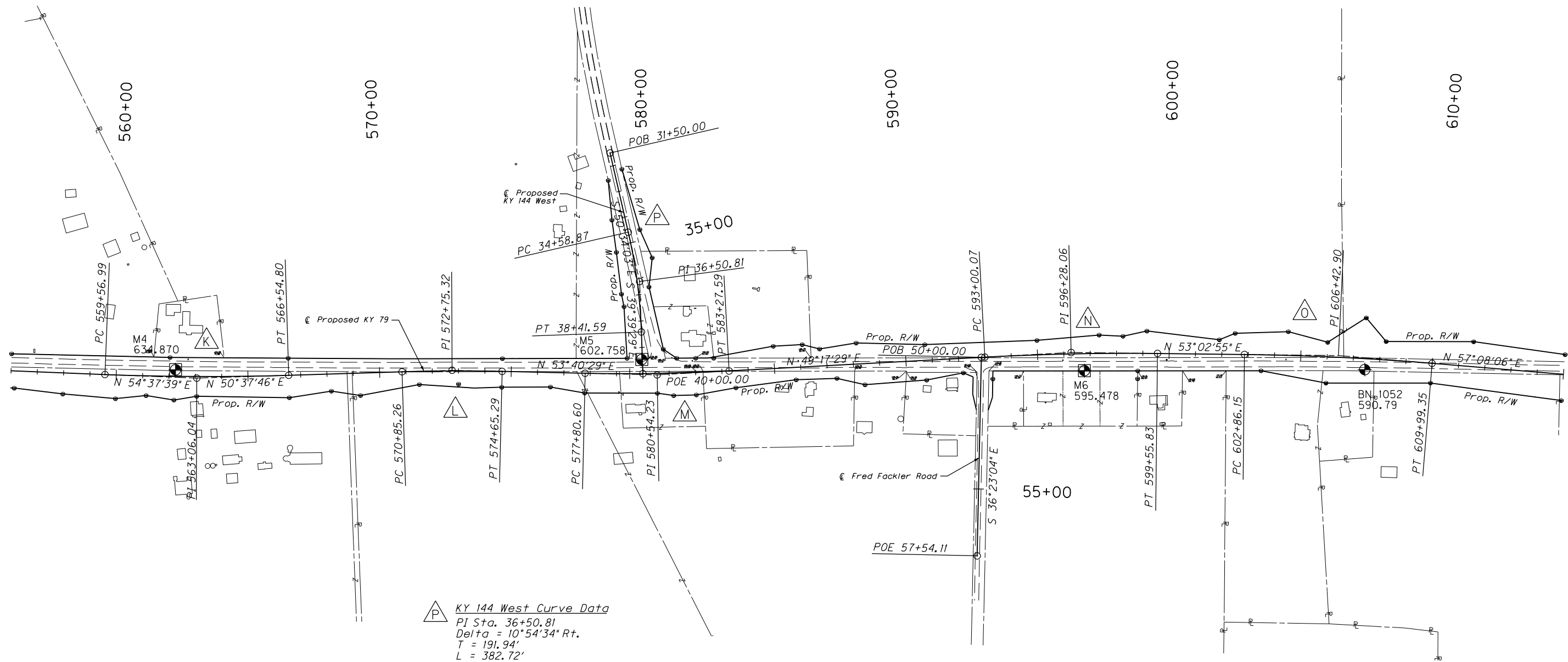
FRED FACKLER ROAD PROPOSED ALIGNMENT CURVE POINTS			
POINT	STATION	STATE PLANE COORDINATES	
		NORTHING	EASTING
P.O.B.	50+00.00	3876872.20	4786097.19
P.O.E.	57+54.11	3876265.10	4786544.52

CONTROL POINT LEGEND	
	Woolpert, Inc. (Horizontal and Vertical Control Monument)
	Burgess & Niple, Inc. (Horizontal and Vertical Control Point)

RIGHT OF WAY PLANS



FILE NAME: P:\R52302\CADD\ROADWAY PLANS\R06500CC.DGN
 USER: harbour
 DATE PLOTTED: February 20, 2015
 E-SHEET NAME:
 MicroStation v8.11.7.443



KY 79 PROPOSED ALIGNMENT CURVE POINTS			
POINT	STATION	STATE PLANE COORDINATES	
		NORTHING	EASTING
P.C.	616+13.38	3878231.72	4787982.41
P.I.	620+37.33	3878461.78	4788338.51
P.T.	624+60.39	3878730.51	4788666.42

KY 79 PROPOSED ALIGNMENT CURVE POINTS			
POINT	STATION	STATE PLANE COORDINATES	
		NORTHING	EASTING
P.C.	628+57.37	3878982.14	4788973.46
P.I.	634+08.33	3879331.37	4789399.60
P.T.	639+56.62	3879603.27	4789878.80

KY 79 PROPOSED ALIGNMENT CURVE POINTS			
POINT	STATION	STATE PLANE COORDINATES	
		NORTHING	EASTING
T.S.	641+81.65	3879714.32	4790074.51
S.C.	642+98.65	3879772.78	4790175.86
P.I.	646+03.21	3879922.36	4790441.16
C.S.	649+03.55	3880136.85	4790657.40
S.T.	650+20.55	3880218.42	4790741.27

KY 79 PROPOSED ALIGNMENT CURVE POINTS			
POINT	STATION	STATE PLANE COORDINATES	
		NORTHING	EASTING
T.S.	654+55.54	3880523.92	4791050.94
S.C.	656+98.54	3880632.80	4791158.41
P.I.	658+54.81	3880804.32	4791335.17
C.S.	660+94.93	3881026.00	4791442.50
S.T.	662+47.93	3881162.23	4791512.12

KY 79 PROPOSED ALIGNMENT CURVE POINTS			
POINT	STATION	STATE PLANE COORDINATES	
		NORTHING	EASTING
T.S.	669+18.43	3881763.28	4791809.29
S.C.	670+71.43	3881899.51	4791878.91
P.I.	673+81.96	3882178.80	4792014.73
C.S.	676+82.07	3882380.61	4792250.78
S.T.	678+35.07	3882482.31	4792365.07

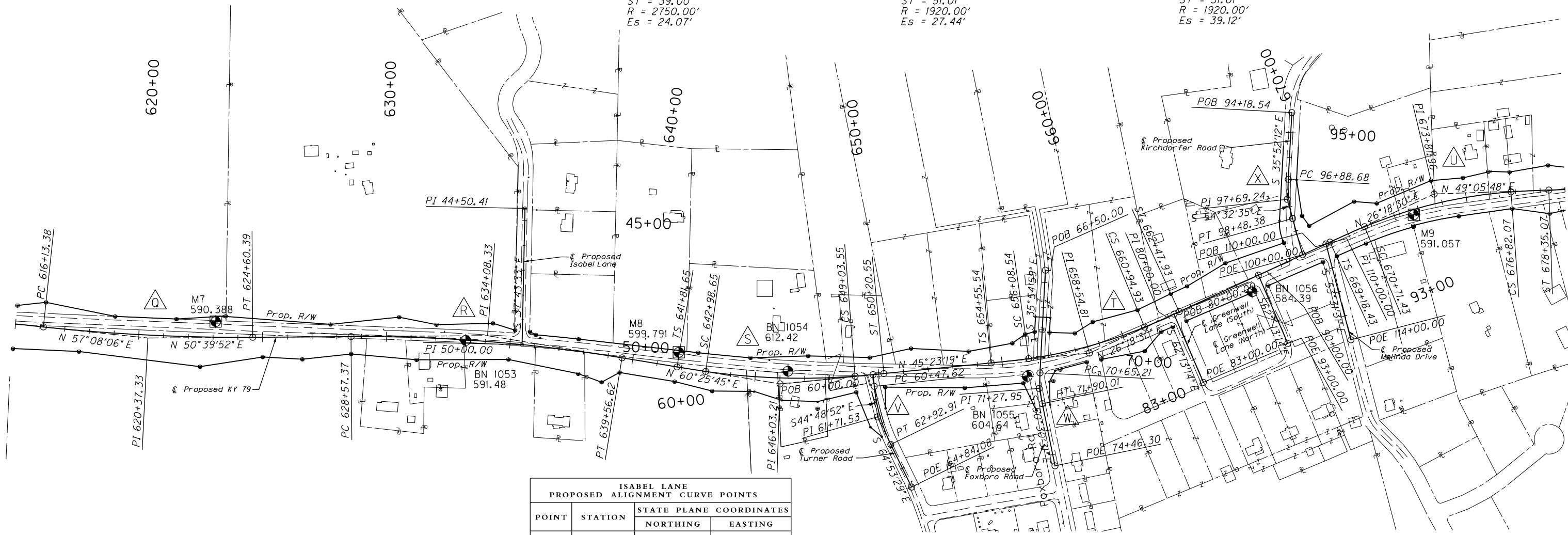
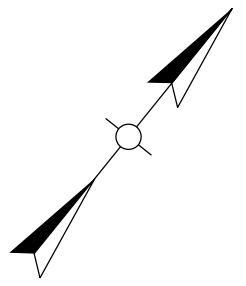
Q KY 79 Curve Data
 PI Sta. 620+37.33
 Delta = 6°28'15" Lt.
 T = 423.96'
 L = 847.01'
 R = 7500.00'
 E = 11.97'

R KY 79 Curve Data
 PI Sta. 634+08.33
 Delta = 9°45'53" Rt.
 T = 550.96'
 L = 1099.25'
 R = 6450.00'
 E = 23.49'

S KY 79 Curve Data
 PI Sta. 646+03.21
 Delta = 15°02'26" Lt.
 Ts = 421.56'
 Ls = 117.00'
 Lc = 604.90'
 Theta = 1°13'08"
 LT = 78.00'
 ST = 39.00'
 R = 2750.00'
 Es = 24.07'

T KY 79 Curve Data
 PI Sta. 658+54.81
 Delta = 19°04'49" Lt.
 Ts = 399.26'
 Ls = 153.00'
 Lc = 486.38'
 Theta = 2°16'58"
 LT = 102.01'
 ST = 51.01'
 R = 1920.00'
 Es = 27.44'

U KY 79 Curve Data
 PI Sta. 673+81.96
 Delta = 22°47'18" Rt.
 Ts = 463.53'
 Ls = 153.00'
 Lc = 610.64'
 Theta = 2°16'58"
 LT = 102.01'
 ST = 51.01'
 R = 1920.00'
 Es = 39.12'



ISABEL LANE PROPOSED ALIGNMENT CURVE POINTS			
POINT	STATION	STATE PLANE COORDINATES	
		NORTHING	EASTING
P.O.B.	44+50.41	3879825.83	4789194.70
P.O.E.	50+00.00	3879391.13	4789530.99

GREENWELL LANE (SOUTH) PROPOSED ALIGNMENT CURVE POINTS			
POINT	STATION	STATE PLANE COORDINATES	
		NORTHING	EASTING
P.O.B.	80+00.00	3881141.45	4791501.84
P.O.E.	83+00.00	3881001.63	4791767.26

GREENWELL LANE (NORTH) PROPOSED ALIGNMENT CURVE POINTS			
POINT	STATION	STATE PLANE COORDINATES	
		NORTHING	EASTING
P.O.B.	90+00.00	3881478.05	4791668.26
P.O.E.	93+00.00	3881338.23	4791933.69

MELINDA DRIVE PROPOSED ALIGNMENT CURVE POINTS			
POINT	STATION	STATE PLANE COORDINATES	
		NORTHING	EASTING
P.O.B.	110+00.00	3881747.52	4791801.49
P.O.E.	114+00.00	3881509.73	4792123.14

KIRCHDORFER ROAD PROPOSED ALIGNMENT CURVE POINTS			
POINT	STATION	STATE PLANE COORDINATES	
		NORTHING	EASTING
P.O.B.	94+18.54	3882073.37	4791360.88
P.C.	96+88.68	3881854.46	4791519.17
P.I.	97+69.24	3881789.18	4791566.37
P.T.	98+48.38	3881742.44	4791631.99
P.O.E.	100+00.00	3881654.49	4791755.50

V Turner Road Curve Data
 PI Sta. 61+71.53
 Delta = 20°04'37" Lt.
 T = 123.91'
 L = 245.29'
 R = 700.00'
 E = 10.88'

W Foxboro Road Curve Data
 PI Sta. 71+27.95
 Delta = 14°35'32" Lt.
 T = 62.74'
 L = 124.79'
 R = 490.00'
 E = 4.00'

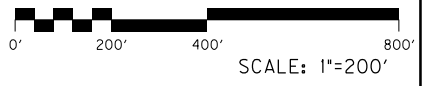
X Kirchdorfer Road Curve Data
 PI Sta. 97+69.24
 Delta = 18°40'22" Lt.
 T = 80.56'
 L = 159.69'
 R = 490.00'
 E = 6.58'

CONTROL POINT LEGEND	
	Woolpert, Inc. (Horizontal and Vertical Control Monument)
	Burgess & Niple, Inc. (Horizontal and Vertical Control Point)

TURNER ROAD PROPOSED ALIGNMENT CURVE POINTS			
POINT	STATION	STATE PLANE COORDINATES	
		NORTHING	EASTING
P.O.B.	60+00.00	3880187.56	4790709.92
P.C.	60+47.62	3880153.78	4790743.49
P.I.	61+71.53	3880065.88	4790830.82
P.T.	62+92.91	3880013.30	4790943.03
P.O.E.	64+84.08	3879932.17	4791116.14

FOXBORO ROAD PROPOSED ALIGNMENT CURVE POINTS			
POINT	STATION	STATE PLANE COORDINATES	
		NORTHING	EASTING
P.O.B.	66+50.00	3880952.85	4790986.47
P.C.	70+65.21	3880616.58	4791230.04
P.I.	71+27.95	3880565.77	4791266.84
P.T.	71+90.01	3880525.87	4791315.26
P.O.E.	74+46.30	3880362.88	4791513.04

RIGHT OF WAY PLANS



FILE NAME: P:\R52302\CADD\ROADWAY PLANS\R06600CC.DGN
 USER: harbour
 DATE PLOTTED: February 20, 2015
 E-SHEET NAME:
 MicroStation v8.11.7.443

MicroStation v8.11.9.459 E-SHEET NAME: DATE PLOTTED: February 20, 2015 USER: mckeel FILE NAME: P:\P82302\CADD\ROADWAY PLANS\R06700CC.DGN



Y Haynes Road Curve Data
 PI Sta. 118+92.12
 Delta = 2°45'52" Rt.
 T = 57.19'
 L = 114.35'
 R = 2370.00'
 E = 0.69'

Z KY 79 Curve Data
 PI Sta. 686+20.39
 Delta = 12°19'16" Lt.
 Ts = 355.35'
 Ls = 117.00'
 Lc = 474.37'
 Theta = 1°13'08"
 LT = 78.00'
 ST = 39.00'
 R = 2750.00'
 Es = 16.18'

AA KY 79 Curve Data
 PI Sta. 696+65.70
 Delta = 2°12'53" Rt.
 T = 193.30'
 L = 386.54'
 R = 10000.00'
 E = 1.87'

BB KY 79 Curve Data
 PI Sta. 702+11.84
 Delta = 2°50'53" Lt.
 T = 166.81'
 L = 333.55'
 R = 6710.00'
 E = 2.07'

CC KY 79 Curve Data
 PI Sta. 705+22.55
 Delta = 9°40'53" Rt.
 T = 143.97'
 L = 287.25'
 R = 1700.00'
 E = 6.09'

DD KY 79 Curve Data
 PI Sta. 708+56.22
 Delta = 8°42'36" Rt.
 T = 190.39'
 L = 380.05'
 R = 2500.00'
 E = 7.24'

**HAYNES ROAD
PROPOSED ALIGNMENT CURVE POINTS**

POINT	STATION	STATE PLANE COORDINATES	
		NORTHING	EASTING
P.O.B.	115 + 81.35	3883031.21	4792385.91
P.C.	118 + 34.93	3882897.74	4792601.52
P.I.	118 + 92.12	3882867.65	4792650.15
P.T.	119 + 49.28	3882835.24	4792697.26
P.O.E.	123 + 06.25	3882632.94	4792991.37

**KY 79
PROPOSED ALIGNMENT CURVE POINTS**

POINT	STATION	STATE PLANE COORDINATES	
		NORTHING	EASTING
T.S.	682 + 65.04	3882763.85	4792690.04
S.C.	683 + 82.04	3882841.08	4792777.93
P.I.	686 + 20.39	3882996.53	4792958.62
C.S.	688 + 56.40	3883187.94	4793100.66
S.T.	689 + 73.40	3883281.16	4793171.36

**KY 79
PROPOSED ALIGNMENT CURVE POINTS**

POINT	STATION	STATE PLANE COORDINATES	
		NORTHING	EASTING
P.C.	694 + 72.41	3883680.85	4793470.11
P.I.	696 + 65.70	3883835.68	4793585.83
P.T.	698 + 58.95	3883985.92	4793707.45

**KY 79
PROPOSED ALIGNMENT CURVE POINTS**

POINT	STATION	STATE PLANE COORDINATES	
		NORTHING	EASTING
P.C.	700 + 45.03	3884130.55	4793824.53
P.I.	702 + 11.84	3884260.20	4793929.48
P.R.C.	703 + 78.58	3884394.91	4794027.87
P.I.	705 + 22.55	3884511.18	4794112.78
P.C.C.	706 + 65.83	3884611.50	4794216.03
P.I.	708 + 56.22	3884744.18	4794352.58
P.T.	710 + 45.88	3884854.65	4794507.64
P.O.E.	711 + 62.59	3884922.37	4794602.70

**B.C.C. ENTRANCE
PROPOSED ALIGNMENT CURVE POINTS**

POINT	STATION	STATE PLANE COORDINATES	
		NORTHING	EASTING
P.O.B.	125 + 97.30	3883863.89	4793109.98
P.O.E.	130 + 00.00	3883674.53	4793465.38

CONTROL POINT LEGEND

	Woolpert, Inc. (Horizontal and Vertical Control Monument)
	Burgess & Niple, Inc. (Horizontal and Vertical Control Point)



RIGHT OF WAY PLANS

KY 79
COORDINATE CONTROL SHEET
SHEET 4 OF 9

COORDINATE CONTROL POINTS

POINT	DESCRIPTION	State Plane Coordinates			STATION and OFFSET
		NORTH (Y)	EAST (X)	ELEV. (Z)	
M-1	Conc. Mon. w/Alum. Disk Stamped "M1 KYTC 2012"	3870632.553	4780295.841	638.706	Sta. 506 + 56.03, 52.35' Lt.
M-2	Conc. Mon. w/Alum. Disk Stamped "M2 KYTC 2012"	3871909.069	4781077.483	633.774	Sta. 521 + 46.11, 36.46' Rt.
M-3	Conc. Mon. w/Alum. Disk Stamped "M3 KYTC 2012"	3874086.922	4782457.204	668.907	Sta. 547 + 13.53, 104.82' Lt.
M-4	Conc. Mon. w/Alum. Disk Stamped "M4 KYTC 2012"	3874967.545	4783702.017	634.870	Sta. 562 + 24.81, 25.11' Lt.
M-5	Conc. Mon. w/Alum. Disk Stamped "M5 KYTC 2012"	3876078.698	4785080.451	602.758	Sta. 579 + 96.02, 53.99' Lt.
M-6	Conc. Mon. w/Alum. Disk Stamped "M6 KYTC 2012"	3877070.741	4786437.936	595.478	Sta. 596 + 77.21, 64.67' Rt.
M-7	Conc. Mon. w/Alum. Disk Stamped "M7 KYTC 2012"	3878685.524	4788510.077	590.388	Sta. 623 + 09.68, 62.80' Lt.
M-8	Conc. Mon. w/Alum. Disk Stamped "M8 KYTC 2012"	3879764.686	4790043.030	599.791	Sta. 641 + 79.12, 59.34' Lt.
M-9	Conc. Mon. w/Alum. Disk Stamped "M9 KYTC 2012"	3882062.019	4792003.623	591.057	Sta. 672 + 76.43, 20.92' Rt.
M-10	Conc. Mon. w/Alum. Disk Stamped "M10 KYTC 2012"	3883045.623	4792897.529	584.529	Sta. 686 + 13.42, 61.98' Lt.
M-11	Conc. Mon. w/Alum. Disk Stamped "M11 KYTC 2012"	3884846.292	4794417.127	595.978	Sta. 709 + 68.74, 46.92' Lt.
BN 1050	Rebar w/Plastic Cap	3871631.233	4780910.441	635.674	Sta. 518 + 21.99, 29.95' Rt.
BN 1051	Rebar w/Plastic Cap	3872985.470	4781692.947	651.900	Sta. 533 + 86.10, 22.17' Lt.
BN 1052	Rebar w/Plastic Cap	3877723.774	4787278.563	590.788	Sta. 607 + 45.46, 41.49' Rt.
BN 1053	Rebar w/Plastic Cap	3879261.001	4789343.643	591.482	Sta. 633 + 21.01, 2.31' Rt.
BN 1054	Rebar w/Plastic Cap	3879982.391	4790433.909	612.424	Sta. 646 + 31.83, 28.02' Lt.
BN 1055	Rebar w/Plastic Cap	3880573.176	4791198.886	604.642	Sta. 655 + 93.20, 70.36' Rt.
BN 1056	Rebar w/Plastic Cap	3881409.943	4791690.801	584.390	Sta. 665 + 49.18, 50.39' Rt.
BN 1057	Rebar w/Plastic Cap	3884156.991	4793802.456	593.365	Sta. 700 + 51.73, 33.79' Lt.

RIGHT OF WAY MONUMENT POINTS

ALIGNMENT	STATION	OFFSET	TYPE	DESCRIPTION	State Plane Coordinates	
					NORTH (Y)	EAST (X)
KY 79	487 + 50.00	-75.00	1	-	3868766.13	4779871.28
KY 79	491 + 25.00	46.00	1	-	3869113.81	4780056.71
KY 79	492 + 20.75	-65.00	1		3869227.69	4779964.40
KY 79	493 + 00.00	70.00	1		3869281.50	4780111.40
KY 79	494 + 15.00	-80.00	1		3869422.12	4779985.07
KY 79	494 + 85.00	85.00	1		3869459.81	4780160.29
KY 79	495 + 50.00	-31.00	1		3869545.73	4780058.87
KY 79	495 + 50.00	43.30	1		3869531.39	4780131.77
KY 79	495 + 93.57	-31.00	1		3869588.54	4780067.34
KY 79	501 + 35.35	-31.00	1		3870119.90	4780173.11
KY 79	501 + 89.28	31.00	1		3870160.10	4780244.77
KY 79	503 + 30.62	31.00	1		3870296.27	4780277.27
KY 79	503 + 76.50	-31.00	1		3870356.68	4780229.31
KY 79	504 + 49.89	-38.65	1		3870430.06	4780242.49
KY 79	505 + 70.69	-47.53	1		3870549.30	4780271.39
KY 79	505 + 91.44	30.00	1		3870543.74	4780351.47
KY 79	506 + 85.79	-46.51	1		3870658.78	4780311.92
KY 79	507 + 96.34	-36.81	1		3870759.14	4780362.45
KY 79	508 + 45.26	-31.00	1		3870802.29	4780387.22
KY 79	509 + 01.59	30.00	1		3870828.85	4780465.90
KY 79	509 + 10.00	-31.00	1		3870861.92	4780413.96
KY 79	509 + 30.00	-70.00	1		3870896.75	4780387.12
KY 79	510 + 12.88	38.35	1		3870924.63	4780520.89
KY 79	510 + 14.23	33.42	1		3870928.02	4780517.08
KY 79	510 + 20.59	-75.00	1		3870982.25	4780422.97
KY 79	510 + 60.00	-65.00	1		3871013.58	4780450.14
KY 79	512 + 07.06	-70.00	1		3871147.74	4780517.55
KY 79	512 + 07.06	39.00	1		3871093.46	4780612.08
KY 79	513 + 25.00	-65.00	1		3871247.52	4780580.62
KY 79	514 + 50.00	-80.00	1		3871363.39	4780629.85
KY 79	516 + 35.00	-85.00	1		3871526.32	4780717.64
KY 79	516 + 35.00	39.00	1		3871464.57	4780825.17
KY 79	519 + 00.00	-60.00	1		3871743.68	4780871.28
KY 79	520 + 00.00	-85.00	1		3871842.84	4780899.39
KY 79	520 + 85.00	-120.00	1		3871933.98	4780911.37
KY 79	521 + 00.00	39.00	1		3871867.82	4781056.72
KY 79	522 + 10.00	-75.00	1		3872019.98	4781012.64
KY 79	525 + 80.45	-75.00	1		3872341.23	4781197.11
KY 79	525 + 80.45	39.00	1		3872284.47	4781295.97
KY 79	526 + 50.00	60.00	1		3872333.42	4781348.81
KY 79	528 + 50.00	60.00	1		3872501.72	4781452.65
KY 79	528 + 77.99	-70.00	1		3872595.84	4781358.70

ORIGIN OF DATUM

Horizontal and vertical control for this project was established by Woolpert, Inc. of Dayton, Ohio under contract to the Kentucky Transportation Cabinet, using Global Positioning System (GPS) methods beginning in December 2012. The horizontal datum is based on NAD 83 (2007). The vertical datum is NAVD 88. Project mapping was performed on Kentucky State Plane Coordinates Single Zone NAD83 in U.S. survey feet.

**RIGHT OF WAY
PLANS**

KY 79
COORDINATE CONTROL SHEET
SHEET 5 OF 9

RIGHT OF WAY MONUMENT POINTS

ALIGNMENT	STATION	OFFSET	TYPE	DESCRIPTION	State Plane Coordinates	
					NORTH (Y)	EAST (X)
KY 79	530+00.00	-55.00	1	-	3872690.22	4781439.64
KY 79	531+00.00	-70.00	1	-	3872781.79	4781485.18
KY 79	531+75.52	70.00	1		3872761.12	4781642.90
KY 79	533+00.00	-90.00	1		3872956.08	4781587.35
KY 79	533+75.00	60.00	1		3872927.97	4781752.68
KY 79	535+00.00	-79.56	1		3873111.28	4781713.93
KY 79	535+00.00	65.00	1		3873025.87	4781830.57
KY 79	535+75.00	60.00	1		3873089.33	4781870.84
KY 79	537+20.00	100.00	1		3873182.69	4781988.78
KY 79	537+37.03	-86.32	1		3873306.51	4781848.52
KY 79	540+15.68	-78.71	1		3873526.83	4782019.28
KY 79	540+15.68	75.00	1		3873436.02	4782143.30
KY 79	540+92.68	85.00	1		3873491.53	4782196.61
KY 79	543+50.00	55.00	1		3873708.93	4782330.12
KY 79	545+00.00	55.00	1		3873821.02	4782427.06
KY 79	546+37.26	-99.36	1		3874027.03	4782406.98
KY 79	548+00.00	110.00	1		3873996.12	4782670.20
KY 79	548+40.00	-102.83	1		3874176.55	4782550.46
KY 79	548+72.09	-162.07	1		3874242.18	4782533.34
KY 79	548+96.84	-97.59	1		3874212.82	4782596.13
KY 79	549+00.00	110.00	1		3874063.71	4782740.60
KY 79	549+04.58	-96.67	1		3874217.55	4782602.52
KY 79	550+50.00	80.00	1		3874184.70	4782829.12
KY 79	552+15.00	80.00	1		3874289.54	4782952.77
KY 79	552+25.00	-68.95	1		3874411.28	4782866.36
KY 79	553+11.35	60.00	1		3874364.43	4783014.36
KY 79	553+60.00	-85.00	1		3874508.94	4782964.15
KY 79	556+00.00	-64.93	1		3874635.81	4783172.14
KY 79	556+15.00	65.00	1		3874538.55	4783259.59
KY 79	558+00.00	80.00	1		3874633.41	4783419.12
KY 79	559+56.99	-70.64	1		3874847.13	4783459.93
KY 79	560+00.00	90.00	1		3874741.34	4783588.25
KY 79	561+15.00	75.00	1		3874821.55	4783673.31
KY 79	562+03.11	-71.54	1		3874991.76	4783656.90
KY 79	562+20.00	90.00	1		3874872.59	4783767.26
KY 79	563+05.90	75.00	1		3874936.82	4783827.26
KY 79	566+54.80	-65.03	1		3875263.27	4784014.02
KY 79	566+54.80	85.00	1		3875147.29	4784109.18
KY 79	568+15.00	65.00	1		3875264.37	4784220.34
KY 79	569+25.00	85.00	1		3875318.69	4784318.07
KY 79	570+43.61	-50.60	1		3875498.75	4784323.74
KY 79	571+50.00	50.00	1		3875487.96	4784469.64
KY 79	573+60.00	65.00	1		3875604.41	4784642.99
KY 79	574+65.29	-48.74	1		3875758.47	4784659.22
KY 79	574+65.29	60.00	1		3875670.86	4784723.64

RIGHT OF WAY MONUMENT POINTS

ALIGNMENT	STATION	OFFSET	TYPE	DESCRIPTION	State Plane Coordinates	
					NORTH (Y)	EAST (X)
KY 79	576+50.00	55.00	1		3875784.31	4784869.48
KY 79	577+80.60	75.00	1		3875845.56	4784986.55
KY 79	579+40.00	-58.73	1		3876048.36	4785033.65
KY 79	580+54.09	75.00	1		3876013.48	4785206.02
KY 79	580+79.25	-91.75	1		3876159.45	4785121.58
KY 79	581+15.00	85.00	1		3876044.24	4785260.31
KY 79	581+30.00	-56.70	1		3876163.73	4785182.68
KY 79	582+00.00	85.00	1		3876098.77	4785326.82
KY 79	582+02.63	-54.60	1		3876207.87	4785239.69
KY 79	582+50.00	-52.77	1		3876236.62	4785276.93
KY 79	583+50.00	65.00	1		3876211.88	4785429.38
KY 79	585+00.00	-85.00	1		3876423.41	4785445.25
KY 79	585+80.00	47.00	1		3876375.53	4785591.99
KY 79	586+10.00	-85.00	1		3876495.16	4785528.64
KY 79	586+75.00	-65.00	1		3876522.39	4785590.95
KY 79	587+35.00	50.00	1		3876474.35	4785711.44
KY 79	588+15.00	-80.00	1		3876625.07	4785687.30
KY 79	588+40.00	80.00	1		3876520.09	4785810.60
KY 79	590+75.00	-60.00	1		3876779.48	4785897.43
KY 79	590+75.00	75.00	1		3876677.15	4785985.48
KY 79	592+15.00	55.00	1		3876783.62	4786078.56
KY 79	593+28.08	54.10	1		3876857.93	4786163.60
KY 79	595+00.00	-55.00	1		3877052.07	4786224.99
KY 79	596+27.95	64.62	1		3877040.19	4786399.70
KY 79	597+35.00	-70.00	1		3877212.20	4786399.63
KY 79	598+25.00	-65.00	1		3877263.99	4786474.14
KY 79	599+15.00	-85.00	1		3877335.00	4786533.98
KY 79	601+90.00	-55.00	1		3877476.61	4786772.00
KY 79	602+50.00	-80.00	1		3877532.66	4786804.92
KY 79	603+50.00	60.77	1		3877479.88	4786969.27
KY 79	604+50.00	-90.00	1		3877660.68	4786960.73
KY 79	606+00.00	-55.00	1		3877720.13	4787103.97
KY 79	606+00.00	100.00	1		3877593.40	4787193.21
KY 79	607+40.00	-155.00	1		3877882.93	4787163.20
KY 79	608+20.00	-70.00	1		3877857.94	4787277.85
KY 79	609+99.35	75.00	1		3877835.51	4787507.35
KY 79	611+50.00	-95.00	1		3878060.05	4787541.64
KY 79	615+00.00	-75.00	1		3878233.19	4787846.48
KY 79	615+00.00	100.00	1		3878086.19	4787941.44
KY 79	616+13.38	-100.00	1		3878315.71	4787928.14
KY 79	617+65.00	85.00	1		3878244.83	4788156.48
KY 79	619+00.00	-67.48	1		3878447.06	4788181.37
KY 79	621+50.00	-69.61	1		3878594.41	4788380.49
KY 79	622+50.00	120.00	1		3878504.54	4788575.27
KY 79	623+40.00	-85.00	1		3878721.55	4788519.88

**RIGHT OF WAY
PLANS**

RIGHT OF WAY MONUMENT POINTS

ALIGNMENT	STATION	OFFSET	TYPE	DESCRIPTION	State Plane Coordinates	
					NORTH (Y)	EAST (X)
KY 79	625+00.00	80.00	1	-	3878693.74	4788747.76
KY 79	626+60.00	90.00	1	-	3878787.42	4788877.85
KY 79	627+75.00	-50.00	1		3878968.60	4788878.06
KY 79	628+57.37	70.00	1		3878928.00	4789017.83
KY 79	630+50.00	-80.00	1		3879165.36	4789075.41
KY 79	631+25.00	90.00	1		3879075.52	4789238.03
KY 79	632+00.00	-55.00	1		3879236.51	4789211.56
KY 79	634+25.00	-75.00	1		3879384.13	4789385.49
KY 79	635+00.00	65.00	1		3879309.94	4789525.95
KY 79	635+15.00	-55.00	1		3879418.22	4789472.10
KY 79	635+74.67	-55.00	1		3879451.20	4789522.44
KY 79	636+00.00	-44.92	1		3879456.58	4789549.35
KY 79	637+72.52	-48.59	1		3879551.70	4789694.82
KY 79	637+90.00	90.00	1		3879442.08	4789781.38
KY 79	638+90.00	110.00	1		3879474.99	4789876.29
KY 79	639+56.62	60.00	1		3879551.09	4789908.41
KY 79	641+81.65	60.00	1		3879662.14	4790104.12
KY 79	642+57.79	-70.34	1		3879812.96	4790105.36
KY 79	643+35.00	75.00	1		3879727.68	4790246.20
KY 79	644+75.00	-74.53	1		3879929.30	4790282.18
KY 79	645+00.00	60.00	1		3879832.93	4790379.30
KY 79	646+10.00	90.00	1		3879875.33	4790488.25
KY 79	647+15.00	-90.00	1		3880081.60	4790458.85
KY 79	647+50.00	95.00	1		3879961.97	4790604.25
KY 79	649+03.55	65.00	1		3880089.62	4790702.05
KY 79	649+70.00	-70.00	1		3880233.00	4790656.28
KY 79	650+20.55	55.00	1		3880179.27	4790779.89
KY 79	651+40.00	-90.00	1		3880366.39	4790763.10
KY 79	653+40.00	90.00	1		3880378.71	4791031.89
KY 79	653+70.00	-55.00	1		3880503.00	4790951.41
KY 79	655+50.00	-70.00	1		3880639.68	4791067.93
KY 79	655+75.00	95.00	1		3880542.51	4791203.63
KY 79	656+08.54	-100.00	1		3880701.14	4791085.40
KY 79	656+75.00	105.00	1		3880613.04	4791282.07
KY 79	657+05.00	65.00	1		3880662.87	4791272.15
KY 79	658+15.00	-65.00	1		3880829.89	4791239.18
KY 79	658+32.37	60.00	1		3880769.12	4791349.78
KY 79	658+90.29	65.00	1		3880814.86	4791388.62
KY 79	659+00.00	-90.00	1		3880910.72	4791266.44
KY 79	660+60.00	90.00	1		3880950.98	4791503.73
KY 79	660+94.93	-75.00	1		3881061.89	4791376.64
KY 79	661+50.00	43.55	1		3881054.74	4791506.96
KY 79	661+99.28	44.36	1		3881098.83	4791530.18
KY 79	662+47.93	-80.00	1		3881197.68	4791440.40
KY 79	662+59.08	45.83	1		3881151.91	4791558.15

RIGHT OF WAY MONUMENT POINTS

ALIGNMENT	STATION	OFFSET	TYPE	DESCRIPTION	State Plane Coordinates	
					NORTH (Y)	EAST (X)
KY 79	663+20.00	-80.00	1		3881262.29	4791472.35
KY 79	665+00.00	-100.00	1		3881432.51	4791534.20
KY 79	665+58.85	53.53	1		3881417.22	4791697.90
KY 79	666+18.83	55.07	1		3881470.31	4791725.87
KY 79	667+48.57	-75.00	1		3881644.26	4791666.77
KY 79	667+48.81	-84.30	1		3881648.59	4791658.54
KY 79	668+59.39	61.25	1		3881683.21	4791838.02
KY 79	668+70.00	-95.00	1		3881761.97	4791702.66
KY 79	669+20.07	62.80	1		3881736.91	4791866.31
KY 79	670+50.64	64.82	1		3881850.75	4791926.28
KY 79	670+71.43	-110.00	1		3881952.15	4791782.32
KY 79	671+50.00	-70.00	1		3882003.69	4791857.87
KY 79	672+61.15	67.07	1		3882023.59	4792033.21
KY 79	672+61.35	62.07	1		3882026.57	4792029.19
KY 79	673+76.75	-95.00	1		3882212.97	4791970.51
KY 79	674+55.84	69.29	1		3882171.84	4792148.36
KY 79	675+00.00	-80.00	1		3882302.79	4792064.10
KY 79	676+10.00	-90.00	1		3882393.58	4792135.15
KY 79	676+82.07	-80.00	1		3882438.94	4792196.03
KY 79	676+82.07	67.68	1		3882331.27	4792297.09
KY 79	678+35.07	-100.00	1		3882557.90	4792299.59
KY 79	678+35.07	95.00	1		3882410.51	4792427.27
KY 79	679+40.00	-85.00	1		3882615.26	4792388.72
KY 79	679+70.00	70.00	1		3882517.76	4792512.89
KY 79	680+00.00	-115.00	1		3882677.23	4792414.42
KY 79	680+75.00	90.00	1		3882571.39	4792605.34
KY 79	681+35.00	-110.00	1		3882761.84	4792519.73
KY 79	682+00.00	-75.00	1		3882777.95	4792591.78
KY 79	682+00.00	75.00	1		3882664.58	4792690.00
KY 79	682+80.00	-72.46	1		3882828.40	4792653.89
KY 79	683+47.23	-64.97	1		3882866.55	4792708.92
KY 79	684+00.00	-55.43	1		3882894.05	4792753.76
KY 79	684+50.00	90.00	1		3882822.04	4792889.76
KY 79	687+00.00	65.00	1		3883024.63	4793049.79
KY 79	687+57.39	-72.40	1		3883157.62	4792982.90
KY 79	688+50.00	85.00	1		3883130.42	4793163.57
KY 79	690+75.00	-64.88	1		3883401.38	4793180.22
KY 79	691+00.00	80.00	1		3883334.67	4793311.23
KY 79	691+35.00	-80.00	1		3883458.49	4793204.03
KY 79	691+75.00	105.00	1		3883379.77	4793376.16
KY 79	692+05.00	-80.00	1		3883514.56	4793245.94
KY 79	692+20.00	85.00	1		3883427.79	4793387.08
KY 79	692+35.00	-58.69	1		3883525.83	4793280.97
KY 79	693+45.00	80.00	1		3883530.91	4793457.91
KY 79	694+05.00	-52.11	1		3883658.06	4793388.01

**RIGHT OF WAY
PLANS**

RIGHT OF WAY MONUMENT POINTS

ALIGNMENT	STATION	OFFSET	TYPE	DESCRIPTION	State Plane Coordinates	
					NORTH (Y)	EAST (X)
KY 79	694+10.00	110.00	1	-	3883565.01	4793520.85
KY 79	694+24.18	-65.00	1	-	3883681.14	4793389.17
KY 79	694+84.81	-65.00	1		3883729.76	4793425.52
KY 79	695+00.00	-48.47	1		3883732.06	4793447.91
KY 79	695+60.00	125.00	1		3883675.07	4793622.32
KY 79	696+40.00	80.00	1		3883765.29	4793634.83
KY 79	697+00.00	33.00	1		3883841.23	4793634.40
KY 79	697+00.00	75.00	1		3883815.33	4793667.46
KY 79	698+58.95	33.00	1		3883965.16	4793733.10
KY 79	698+89.15	-57.00	1		3884045.26	4793682.15
KY 79	698+89.15	-42.00	1		3884035.82	4793693.81
KY 79	698+89.15	33.00	1		3883988.63	4793752.10
KY 79	700+45.03	-57.00	1		3884166.41	4793780.22
KY 79	700+45.03	33.00	1		3884109.79	4793850.18
KY 79	701+38.69	33.66	1		3884182.95	4793909.40
KY 79	701+39.95	-56.33	1		3884239.57	4793839.45
KY 79	702+41.06	-64.16	1		3884323.59	4793894.59
KY 79	703+19.88	-61.42	1		3884384.32	4793943.75
KY 79	703+50.00	45.00	1		3884345.17	4794047.19
KY 79	704+23.87	45.00	1		3884403.63	4794090.68
KY 79	705+37.46	50.25	1		3884485.36	4794165.06
KY 79	705+40.73	-49.70	1		3884554.10	4794092.44
KY 79	705+88.08	51.60	1		3884520.74	4794199.14
KY 79	705+90.16	-48.38	1		3884590.74	4794127.73
KY 144 East	10+69.10	25.13	1		3870314.93	4780316.58
KY 144 East	10+86.72	24.20	1		3870308.43	4780332.98
KY 144 East	11+50.00	45.54	1		3870262.42	4780378.35
KY 144 East	12+90.00	-61.78	1		3870275.45	4780554.98
KY 144 East	13+00.00	45.00	1		3870185.08	4780497.23
KY 144 East	13+50.00	60.00	1		3870143.44	4780523.52
KY 144 East	13+75.00	-70.00	1		3870222.23	4780629.92
KY 144 East	14+70.00	-50.00	1		3870134.67	4780685.29
KY 144 East	14+85.00	55.00	1		3870056.08	4780614.08
KY 144 East	15+40.00	45.00	1		3870020.15	4780654.51
KY 144 East	16+25.00	40.00	1		3869955.46	4780709.86
KY 144 East	16+75.00	-50.00	1		3869970.01	4780811.78
KY 144 East	17+00.00	30.00	1		3869901.75	4780763.16
KY 144 East	17+30.00	-30.00	1		3869914.11	4780829.09

RIGHT OF WAY MONUMENT POINTS

ALIGNMENT	STATION	OFFSET	TYPE	DESCRIPTION	State Plane Coordinates	
					NORTH (Y)	EAST (X)
Relocated KY 1239	8+00.00	-30.00	1	-	3871393.81	4779373.89
Relocated KY 1239	8+60.00	-50.00	1	-	3871398.67	4779436.95
Relocated KY 1239	9+74.93	30.00	1		3871293.21	4779529.07
Relocated KY 1239	10+07.00	29.79	1		3871285.53	4779559.80
Relocated KY 1239	10+50.00	-55.00	1		3871355.95	4779623.83
Relocated KY 1239	11+13.75	-55.00	1		3871337.43	4779686.31
Relocated KY 1239	11+12.95	29.92	1		3871256.57	4779660.38
Relocated KY 1239	11+79.15	-75.00	1		3871335.71	4779756.32
Relocated KY 1239	11+85.65	40.68	1		3871224.11	4779725.17
Relocated KY 1239	11+87.29	35.94	1		3871228.07	4779728.23
Relocated KY 1239	12+15.00	-70.00	1		3871318.86	4779789.54
Relocated KY 1239	12+55.80	65.62	1		3871177.47	4779781.36
Relocated KY 1239	13+55.00	-75.13	1		3871271.49	4779925.72
Relocated KY 1239	14+30.00	-62.13	1		3871228.59	4779991.06
Relocated KY 1239	15+10.00	85.00	1		3871061.54	4779999.58
Relocated KY 1239	16+05.00	65.00	1		3871036.68	4780090.50
Relocated KY 1239	16+55.00	-60.00	1		3871122.21	4780194.39
Relocated KY 1239	17+81.38	-50.02	1		3871052.55	4780300.30
Sirocco - Midway Road	194+50.00	-25.00	3		3871850.81	4779425.96
Sirocco - Midway Road	194+50.00	25.00	3		3871817.60	4779388.58
Sirocco - Midway Road	195+16.07	-40.00	3		3871804.78	4779480.93
Sirocco - Midway Road	195+35.00	35.00	3		3871747.65	4779428.77
Sirocco - Midway Road	195+65.00	-45.00	3		3871762.44	4779512.99
Sirocco - Midway Road	196+43.85	40.00	3		3871655.06	4779469.18
Sirocco - Midway Road	196+75.00	-55.00	3		3871656.72	4779569.21
Sirocco - Midway Road	197+85.00	-69.97	3		3871544.72	4779612.26
Sirocco - Midway Road	197+93.30	45.00	3		3871517.69	4779500.20
Sirocco - Midway Road	198+50.00	-50.90	3		3871472.67	4779602.15
Sirocco - Midway Road	198+85.00	45.00	3		3871431.95	4779508.52
Sirocco - Midway Road	199+35.00	-55.00	3		3871381.85	4779608.57
North Midway Road Connector	301+80.00	-40.00	3		3871003.41	4780004.43
North Midway Road Connector	302+19.68	25.00	3		3870938.40	4779967.85
North Midway Road Connector	302+40.00	-40.00	3		3870962.36	4780031.61
North Midway Road Connector	302+80.00	-85.00	3		3870958.50	4780091.69
North Midway Road Connector	303+40.00	-85.00	3		3870911.19	4780128.60
North Midway Road Connector	303+80.00	-30.00	3		3870845.82	4780109.83
North Midway Road Connector	306+25.40	-30.00	3		3870652.33	4780260.77

FILE NAME: P:\PR52302\CADD\ROADWAY PLANS\RO7100CC.DGN

USER: mckeel
DATE PLOTTED: February 20, 2015

E-SHEET NAME:

MicroStation v8.11.9.459

RIGHT OF WAY PLANS

KY 79
COORDINATE CONTROL SHEET
SHEET 8 OF 9

RIGHT OF WAY MONUMENT POINTS

ALIGNMENT	STATION	OFFSET	TYPE	DESCRIPTION	State Plane Coordinates	
					NORTH (Y)	EAST (X)
Ragtown Lane	27 + 47.02	15.00	3	-	3874575.36	4782775.02
Ragtown Lane	28 + 30.00	-21.26	3	-	3874530.15	4782853.19
Ragtown Lane	28 + 55.00	60.00	3		3874459.15	4782806.18
Molly Brown Road	32 + 35.00	65.00	3		3874161.17	4783037.74
Molly Brown Road	32 + 75.00	-40.00	3		3874193.25	4783145.43
Molly Brown Road	33 + 50.00	-15.00	3		3874118.50	4783171.18
Molly Brown Road	33 + 50.00	15.00	3		3874100.26	4783147.36
KY 144 West	32 + 20.00	-30.00	1		3876605.17	4784579.58
KY 144 West	32 + 50.00	30.00	1		3876539.77	4784564.64
KY 144 West	34 + 00.00	50.00	1		3876429.05	4784667.79
KY 144 West	34 + 58.87	-45.00	1		3876465.04	4784773.60
KY 144 West	35 + 25.00	60.00	1		3876342.38	4784755.79
KY 144 West	35 + 70.00	-70.00	1		3876408.88	4784876.24
KY 144 West	36 + 75.00	-41.85	1		3876313.58	4784934.16
KY 144 West	36 + 90.00	65.00	1		3876228.40	4784867.94
KY 144 West	37 + 40.00	60.00	1		3876196.56	4784904.79
Fred Fackler Road	50 + 75.00	30.00	3		3876794.03	4786117.52
Fred Fackler Road	51 + 40.00	30.00	3		3876741.70	4786156.08
Fred Fackler Road	51 + 50.00	-45.00	3		3876778.14	4786222.39
Fred Fackler Road	52 + 00.00	-30.00	3		3876728.99	4786239.98
Fred Fackler Road	52 + 00.00	15.00	3		3876702.29	4786203.75
Turner Road	61 + 45.19	-30.00	3		3880113.47	4790834.99
Turner Road	62 + 00.00	50.00	3		3880016.11	4790834.74
Turner Road	62 + 50.00	20.00	3		3880015.13	4790895.18
Foxboro Road	68 + 40.00	-30.00	3		3880816.57	4791122.22
Foxboro Road	68 + 40.00	30.00	3		3880781.37	4791073.63
Foxboro Road	69 + 00.00	-30.00	3		3880767.98	4791157.42
Foxboro Road	69 + 00.00	30.00	3		3880732.78	4791108.83
Foxboro Road	72 + 00.00	-30.00	3		3880542.67	4791342.05
Foxboro Road	72 + 10.00	30.00	3		3880490.00	4791311.60
Kirchdorfer Road	96 + 88.68	-33.50	3		3881874.09	4791546.32
Kirchdorfer Road	98 + 42.88	53.17	3		3881702.70	4791596.20
Kirchdorfer Road	98 + 48.38	-40.00	3		3881775.03	4791655.20
Haynes Road	118 + 30.00	-30.00	3		3882925.85	4792613.12
Haynes Road	118 + 30.00	30.00	3		3882874.83	4792581.54
Haynes Road	118 + 34.93	30.00	3		3882872.24	4792585.73
B.C.C. Entrance	128 + 50.00	-30.00	3		3883771.54	4793347.11
B.C.C. Entrance	128 + 50.00	30.00	3		3883718.59	4793318.90

FILE NAME: P:\PR52302\CADD\ROADWAY PLANS\ROT200CC.DGN

USER: mckeel
DATE PLOTTED: February 20, 2015

E-SHEET NAME:

MicroStation v8.1i.9.459

**RIGHT OF WAY
PLANS**